

2SC2271



2006A

(T-31-23)

NPN Triple Diffused Planar Silicon Transistor

Chroma Output, Horizontal Deflection Driver Applications

©493E

Small-sized color TV chroma use and B/W TV, color TV horizontal deflection driver use.

Absolute Maximum Ratings at Ta=25°C

			unit
Collector to Base Voltage	VCBO	300	V
Collector to Emitter Voltage	VCEO	300	V
Emitter to Base Voltage	VEBO	6	V
Collector Current	IC	100	mA
Peak Collector Current	icp	300	mA
Collector Dissipation	PC	900	mW
Junction Temperature	Tj	150	°C
Storage Temperature	Tstg	-55 to +150	°C

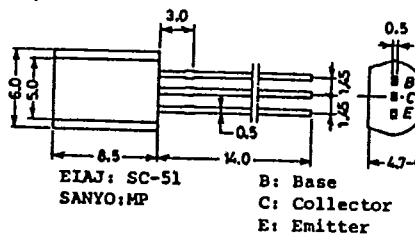
Electrical Characteristics at Ta=25°C

			min	typ	max	unit
Collector Cut Off Current	ICBO	VCB=200V, IE=0			1.0	uA
Emitter Cut Off Current	IEBO	VEB=6V, IC=0			1.0	uA
DC Current Gain	hFE	VCE=10V, IC=10mA	40*		200*	
Gain Band Width Product	fT	VCE=30V, IC=10mA	50			MHZ
Output Capacitance	cob	VCB=10V, f=1MHz			7.5	pF
C-E Saturation Voltage	VCE(sat)) IC=20mA, IB=2mA			0.6	V
B-E Saturation Voltage	VBE(sat)				1.0	V

* The 2SC2271 is classified by 10mA hFE as follows.

40	C	80	60	D	120	100	E	200
----	---	----	----	---	-----	-----	---	-----

Case Outline 2006A (unit:mm)



The 2SC2271 is scheduled to be discontinued soon. Use the 2SC3468, instead of the 2SC2271, in new applications where you are planning to use the 2SC2271.

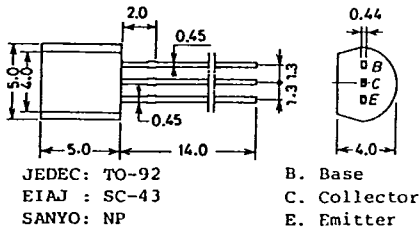
4157KI/3195MW, TS No.493-1/2

T-91-20

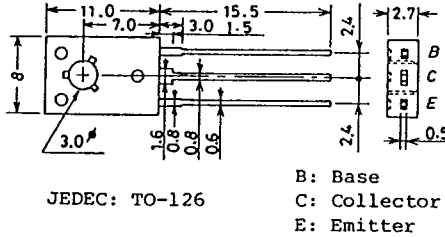
CASE OUTLINES AND ATTACHMENTS

- All of Sanyo Transistor case outlines are illustrated below.
- All dimensions are in mm, and dimensions which are not followed by min. or max. are represented by typical values.
- No marking is indicated.

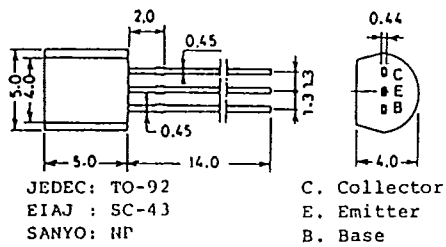
Case Outline-[2003A]
unit:mm



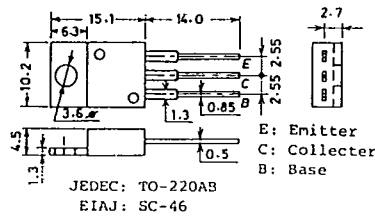
Case Outline-[2009A]
unit:mm



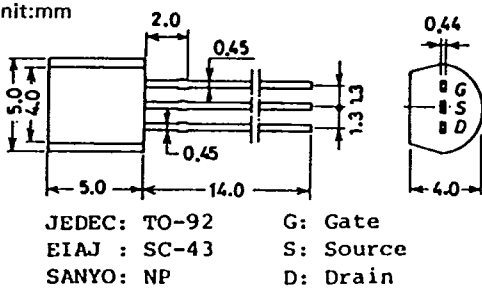
Case Outline-[2004A]
unit:mm



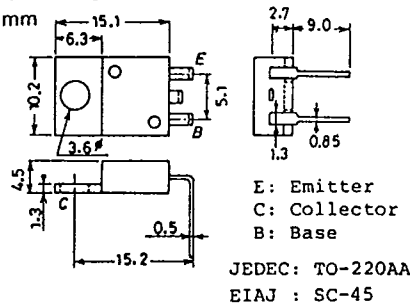
Case Outline-[2010A]
unit:mm



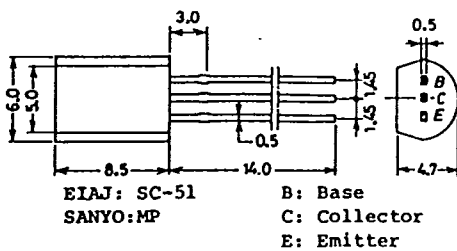
Case Outline-[2005A]
unit:mm



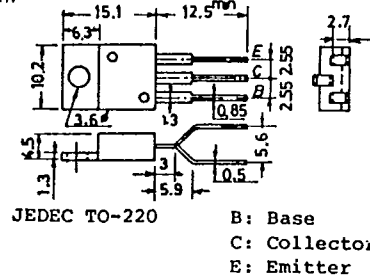
Case Outline-[2012]
unit:mm

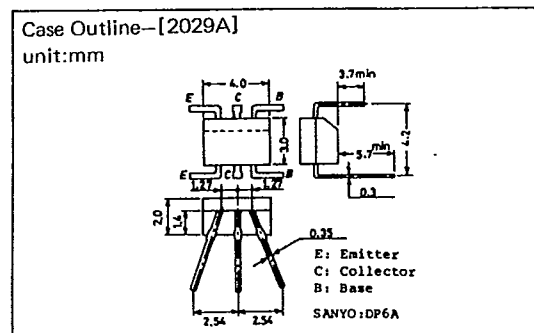
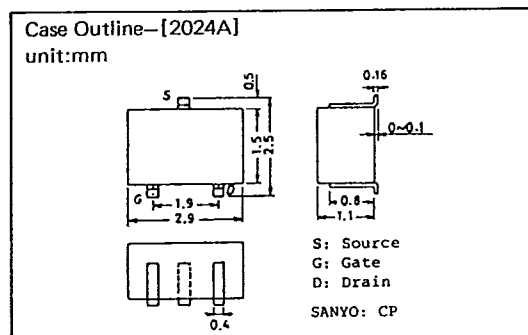
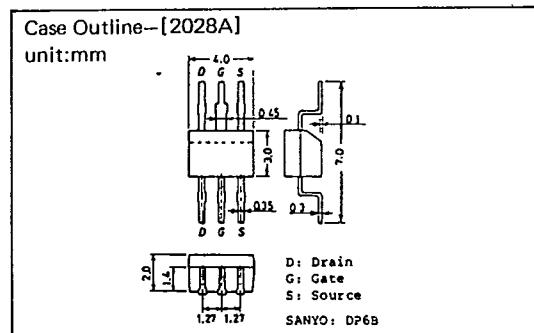
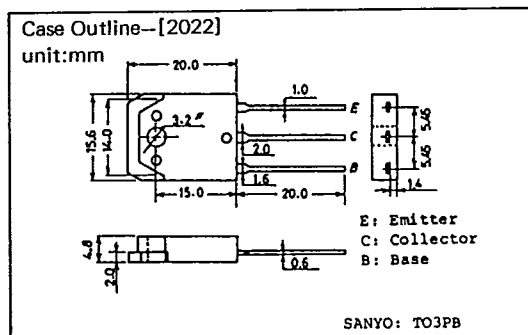
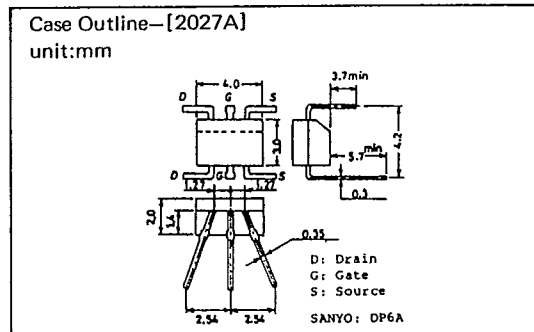
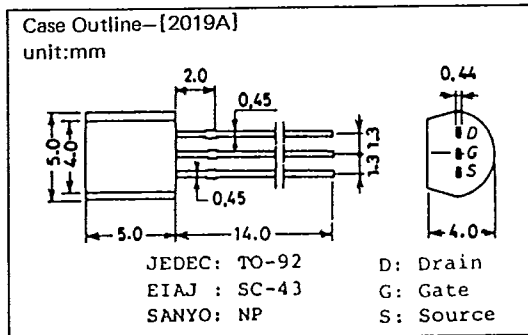
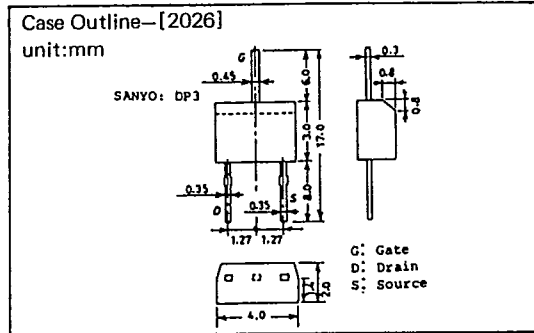
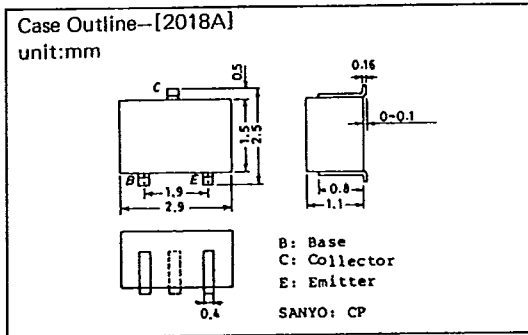
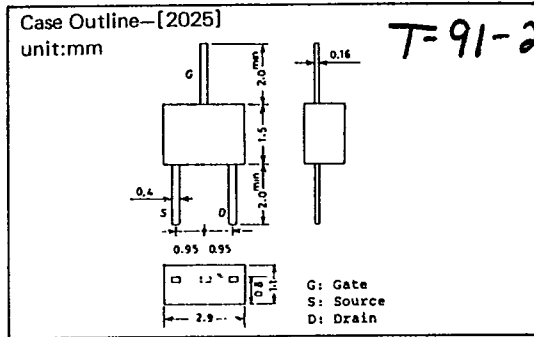
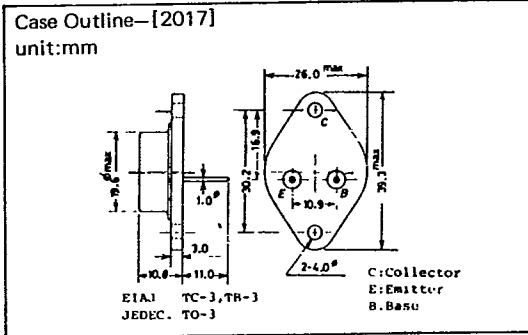


Case Outline-[2006A]
unit:mm

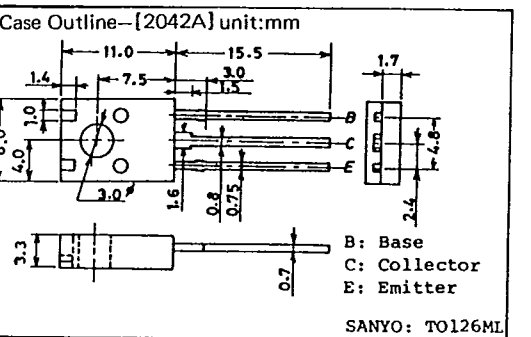
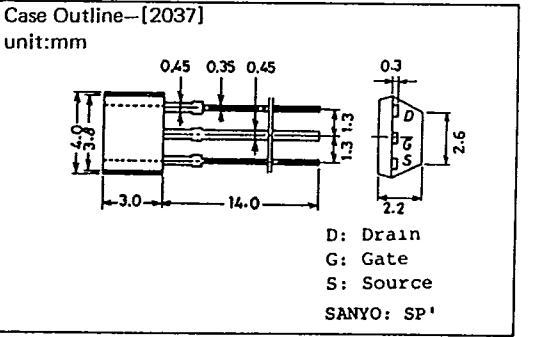
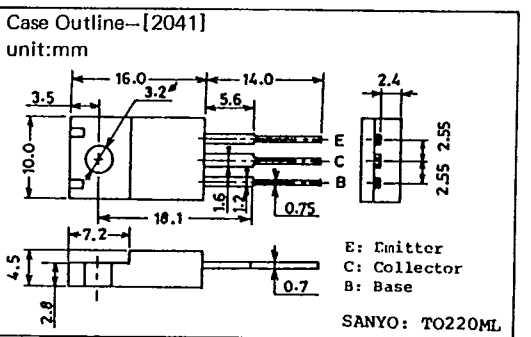
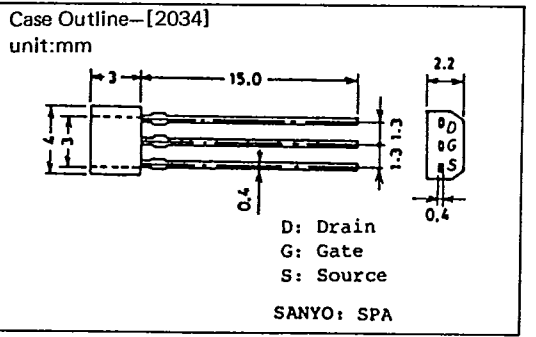
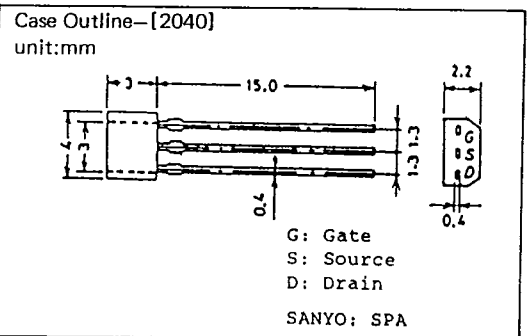
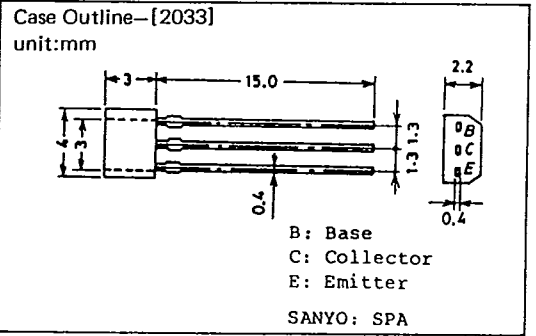
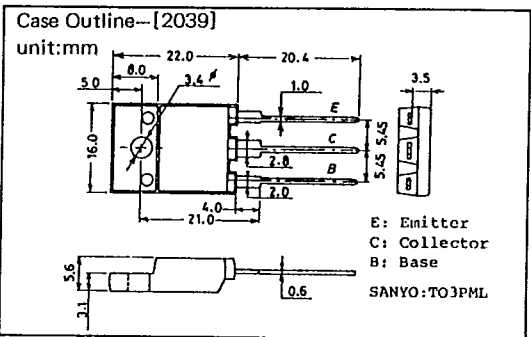
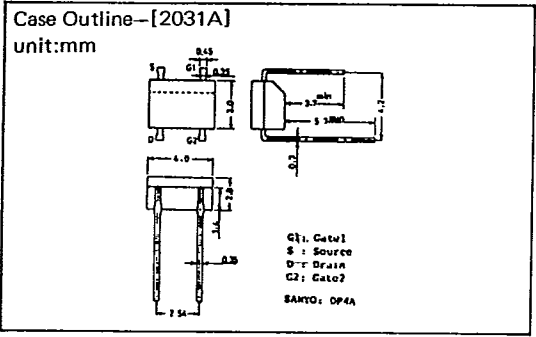
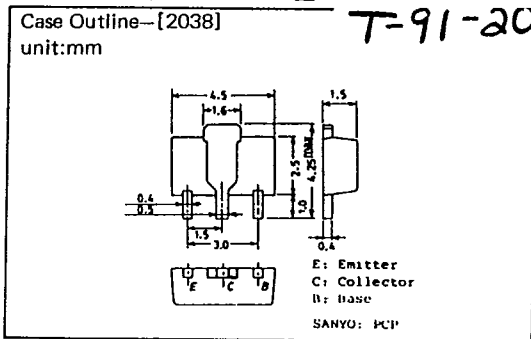
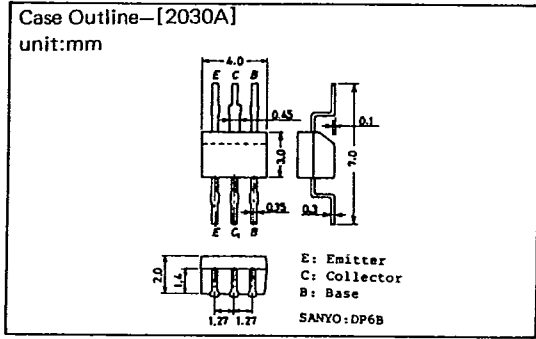


Case Outline-[2013]
unit:mm





T-91-20



T-91-20

