

2SC2621



2009A

NPN Triple Diffused Planar Silicon Transistor

Color TV Chroma Output Applications

©675A

Absolute Maximum Ratings at Ta=25°C

Parameter	Symbol	Value	unit	
Collector to Base Voltage	V_{CB0}	300	V	
Collector to Emitter Voltage	V_{CEO}	300	V	
Emitter to Base Voltage	V_{EBO}	6.5	V	
Collector Current	I_C	200	mA	
Peak Collector Current	i_{cp}	700	mA	
Collector Dissipation	P_C	1.2	W	
		$T_c=25^\circ C$	10	W
Junction Temperature	T_j	150	°C	
Storage Temperature	T_{stg}	-55 to +150	°C	

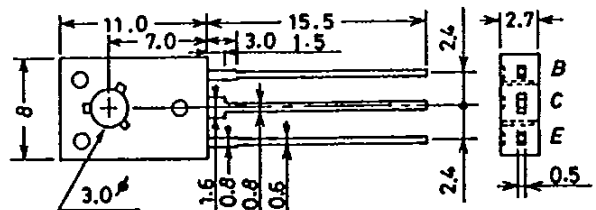
Electrical Characteristics at Ta=25°C

Parameter	Symbol	Test Conditions	min	typ	max	unit
Collector Cutoff Current	I_{CB0}	$V_{CB}=200V, I_E=0$			1.0	uA
Emitter Cutoff Current	I_{EBO}	$V_{EB}=6V, I_C=0$			1.0	uA
DC Current Gain	h_{FE}	$V_{CE}=10V, I_C=10mA$	40*		200*	
Gain Band-width Product	f_T	$V_{CE}=30V, I_C=10mA$	50			MHz
Output Capacitance	c_{ob}	$V_{CB}=50V, f=1MHz$			5	pF
C-E Saturation Voltage	$V_{CE(sat)}$	$I_C=20mA, I_B=2mA$			0.6	V
B-E Saturation Voltage	$V_{BE(sat)}$	$I_C=20mA, I_B=2mA$			1.0	V

*: The 2SC2621 is classified by 10mA h_{FE} as follows :

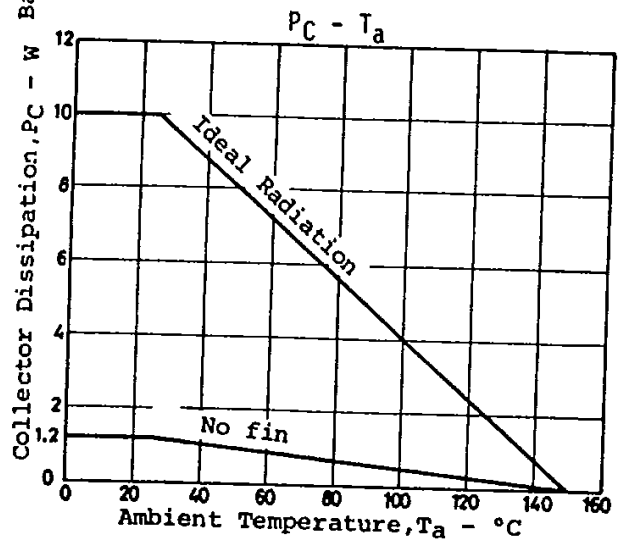
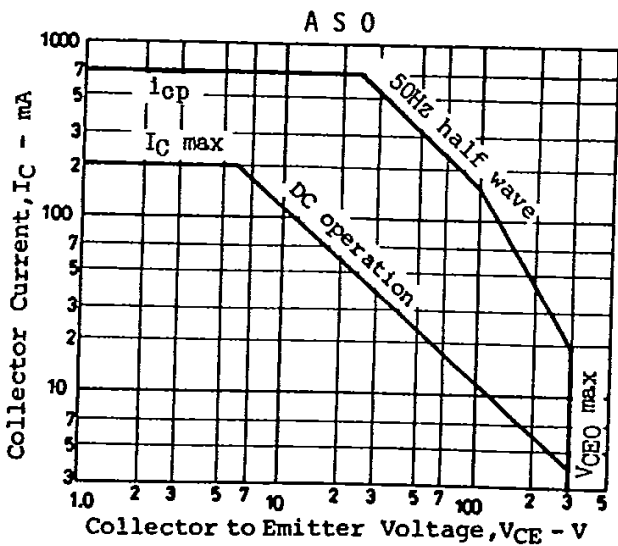
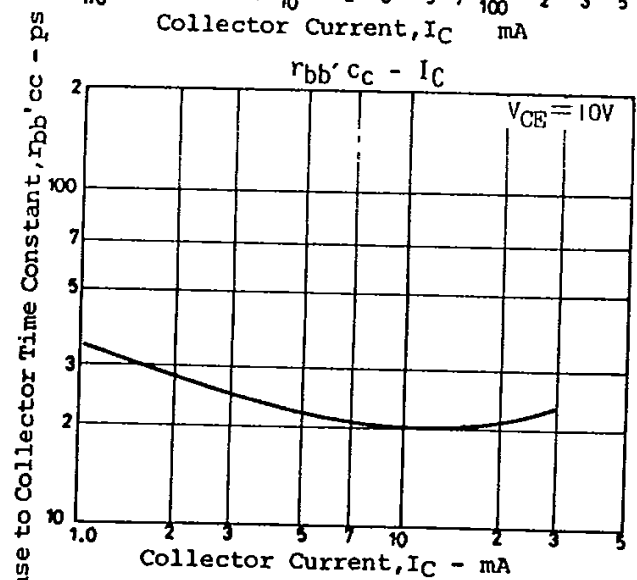
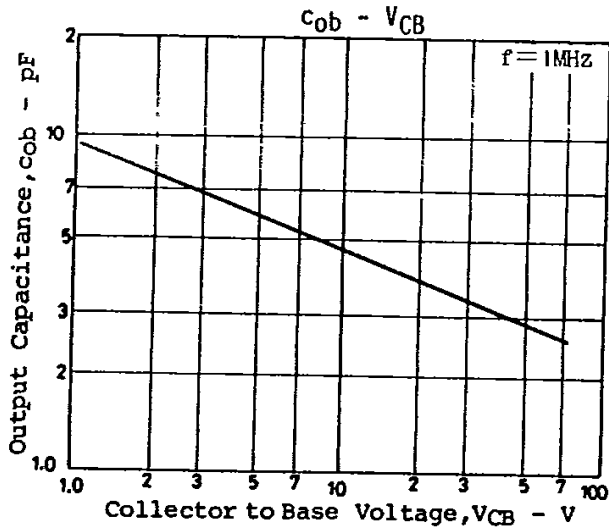
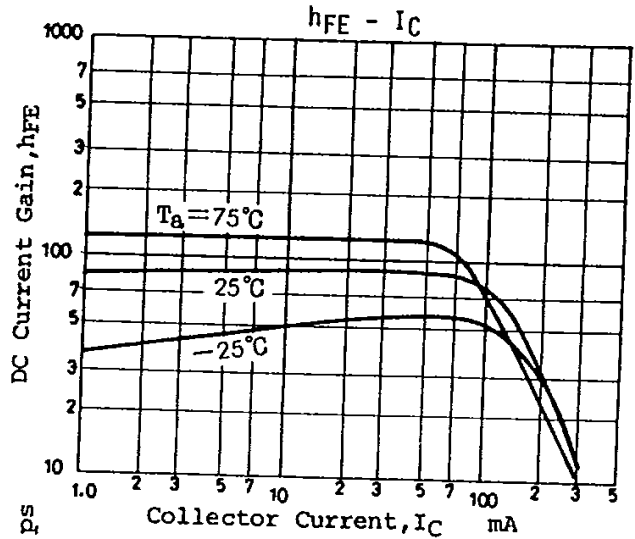
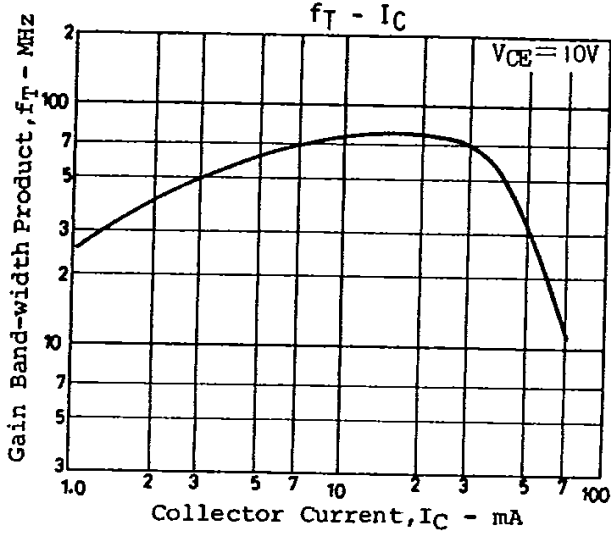
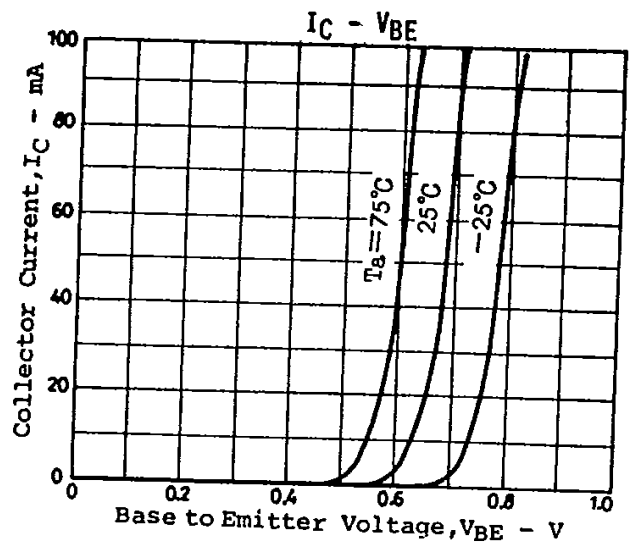
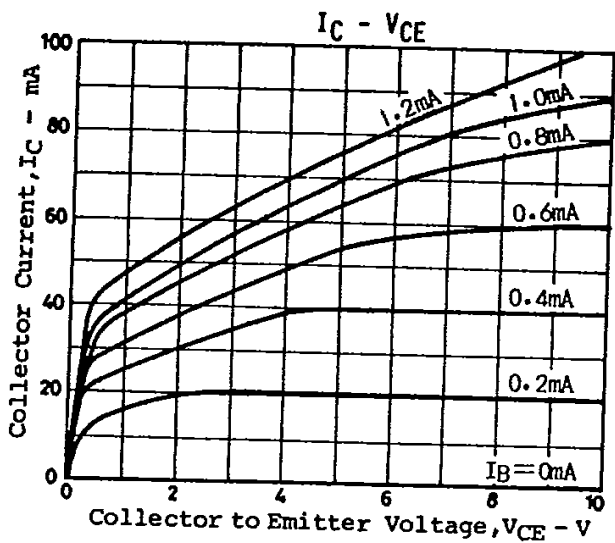
40	C	80	60	D	120	100	E	200
----	---	----	----	---	-----	-----	---	-----

Case Outline 2009A (unit:mm)



JEDEC: TO-126

B: Base
 C: Collector
 E: Emitter

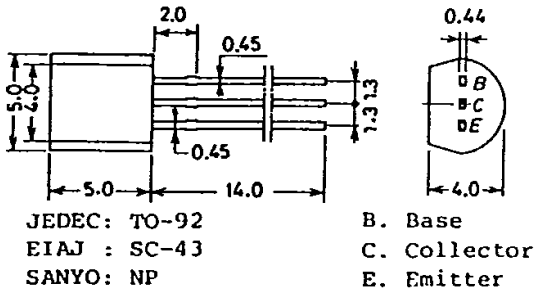


CASE OUTLINES AND ATTACHMENTS

- All of Sanyo Transistor case outlines are illustrated below.
- All dimensions are in mm, and dimensions which are not followed by min. or max. are represented by typical values.
- No marking is indicated.

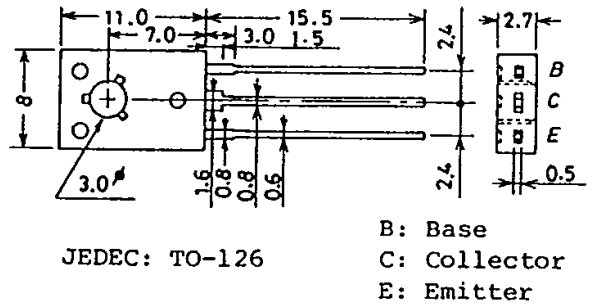
Case Outline—[2003A]

unit:mm



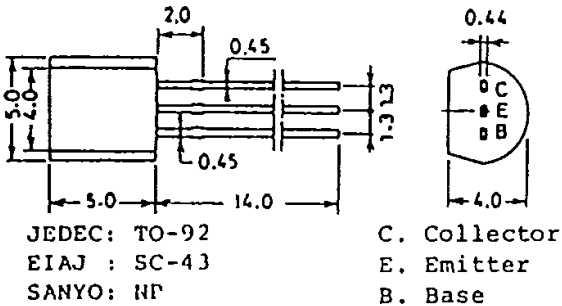
Case Outline—[2009A]

unit:mm



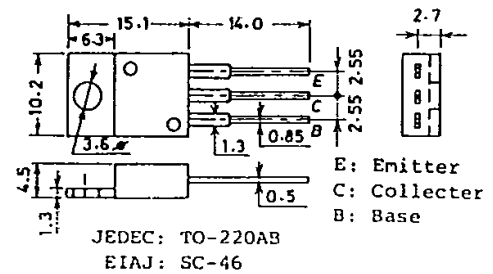
Case Outline—[2004A]

unit:mm



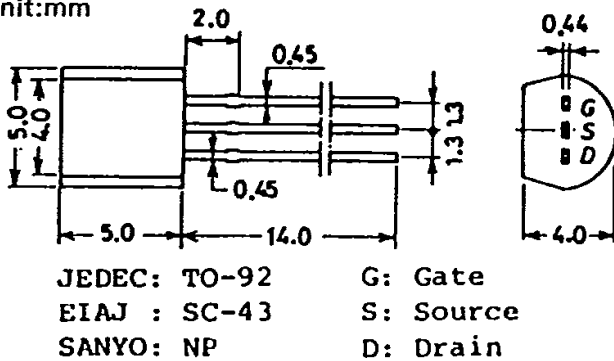
Case Outline—[2010A]

unit:mm



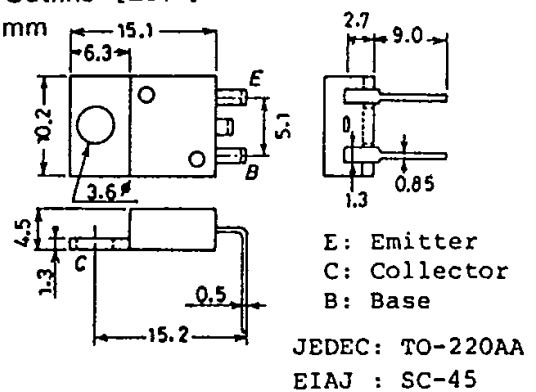
Case Outline—[2005A]

unit:mm



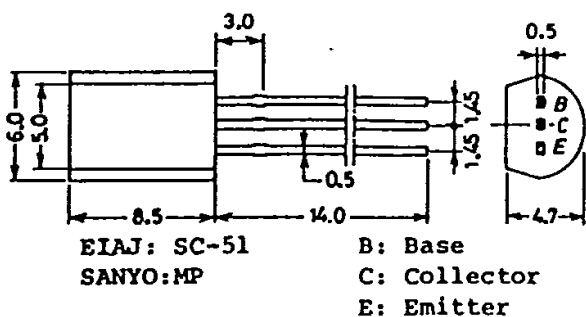
Case Outline—[2012]

unit:mm



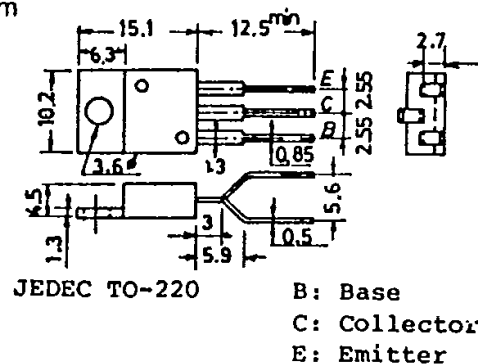
Case Outline—[2006A]

unit:mm



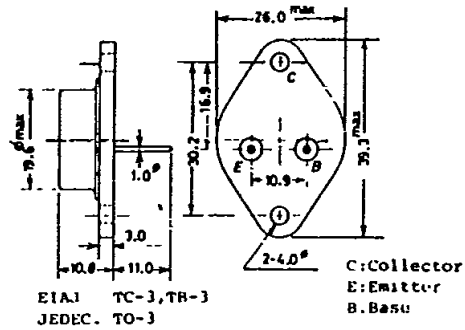
Case Outline—[2013]

unit:mm



Case Outline-[2017]

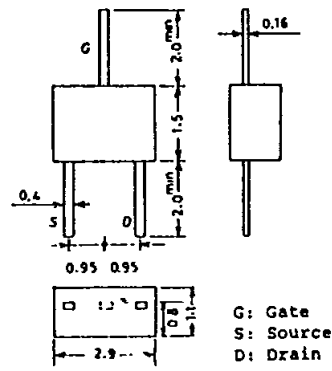
unit:mm



Case Outline-[2025]

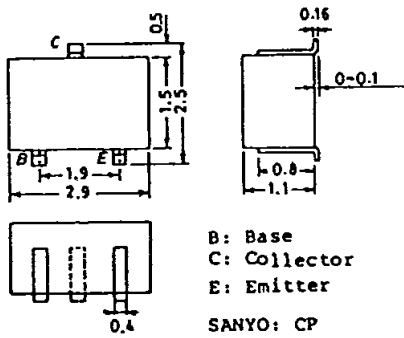
unit:mm

T-91-20



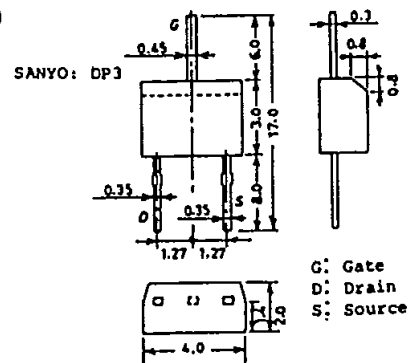
Case Outline-[2018A]

unit:mm



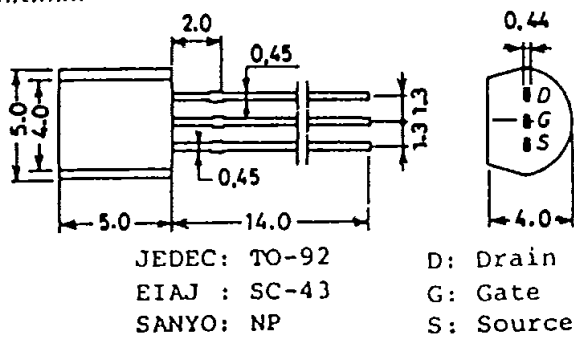
Case Outline-[2026]

unit:mm



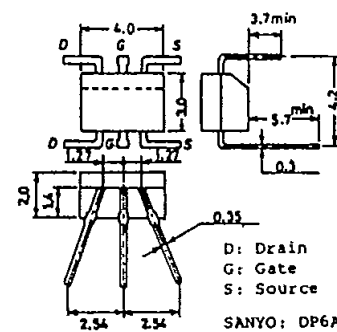
Case Outline-[2019A]

unit:mm



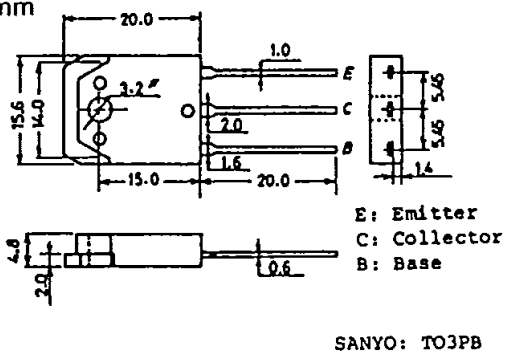
Case Outline-[2027A]

unit:mm



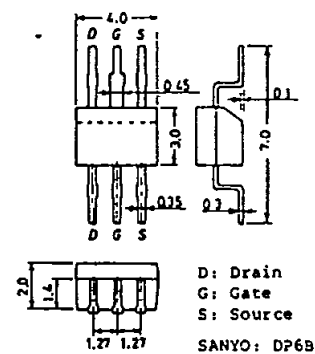
Case Outline-[2022]

unit:mm



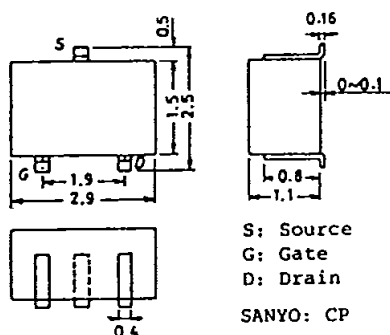
Case Outline-[2028A]

unit:mm



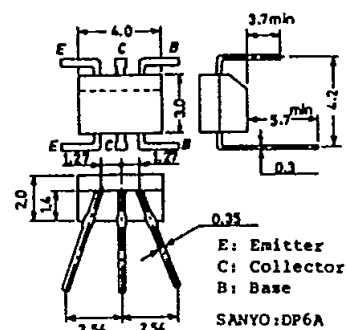
Case Outline-[2024A]

unit:mm



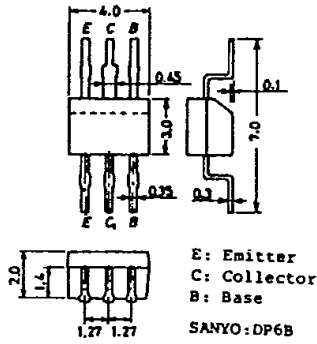
Case Outline-[2029A]

unit:mm



Case Outline-[2030A]

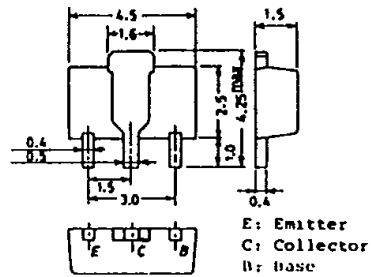
unit:mm



E: Emitter
C: Collector
B: Base
SANYO: DP6B

Case Outline-[2038]

unit:mm

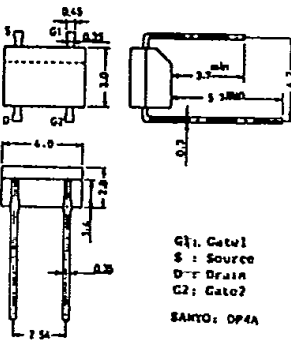


E: Emitter
C: Collector
B: Base
SANYO: PCP

T-91-20

Case Outline-[2031A]

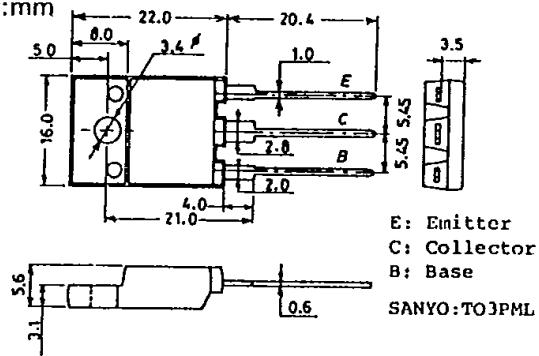
unit:mm



G1: Gate1
S: Source
D: Drain
G2: Gate2
SANYO: DP4A

Case Outline-[2039]

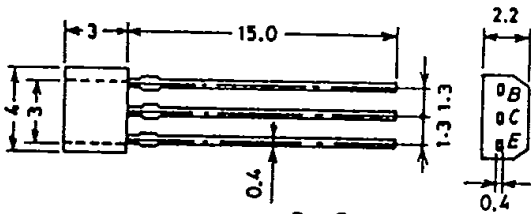
unit:mm



E: Emitter
C: Collector
B: Base
SANYO: TO3PML

Case Outline-[2033]

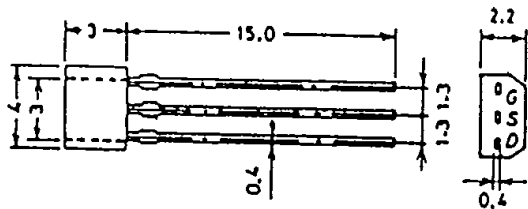
unit:mm



B: Base
C: Collector
E: Emitter
SANYO: SPA

Case Outline-[2040]

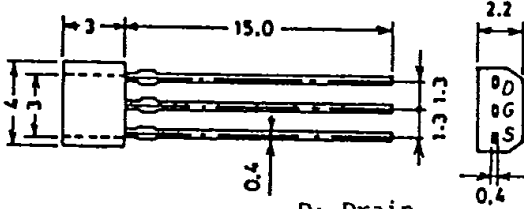
unit:mm



G: Gate
S: Source
D: Drain
SANYO: SPA

Case Outline-[2034]

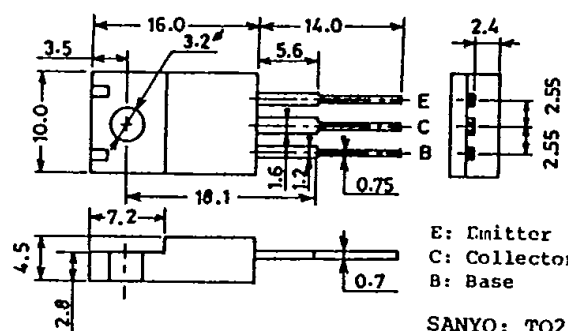
unit:mm



D: Drain
G: Gate
S: Source
SANYO: SPA

Case Outline-[2041]

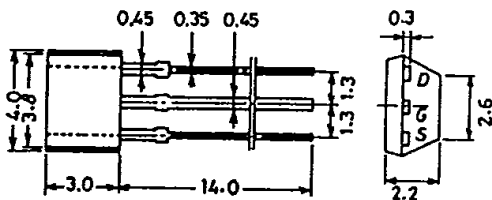
unit:mm



E: Emitter
C: Collector
B: Base
SANYO: TO220ML

Case Outline-[2037]

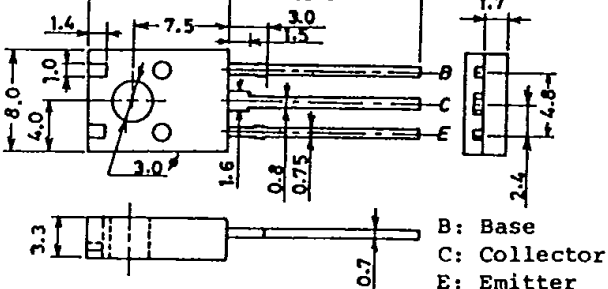
unit:mm



D: Drain
G: Gate
S: Source
SANYO: SP1

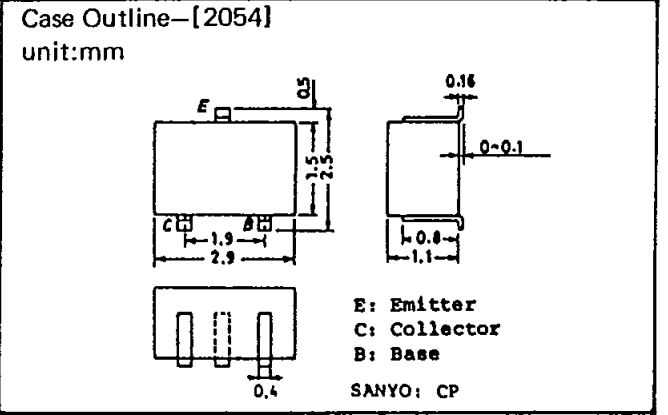
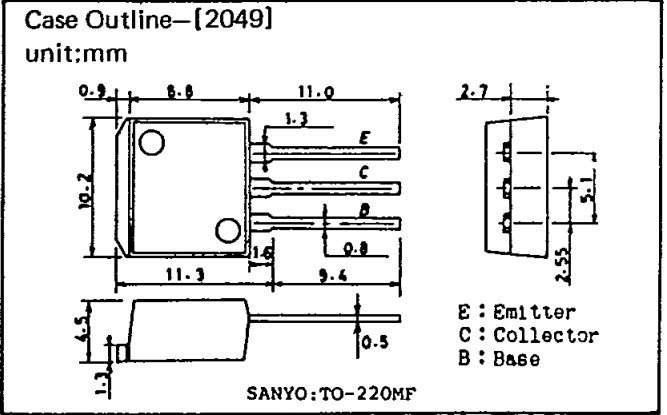
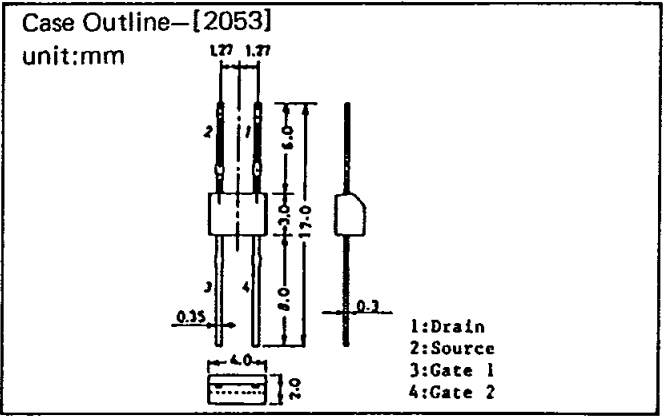
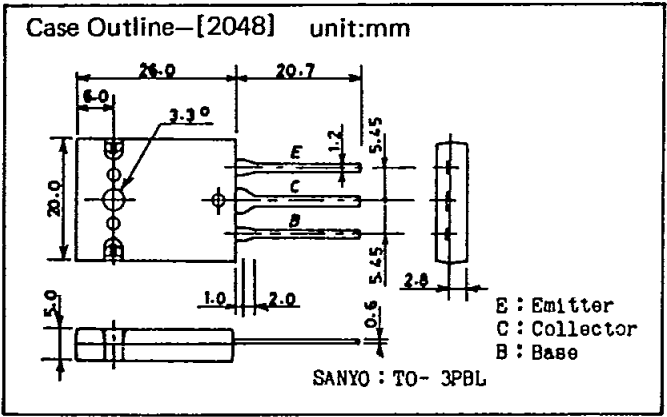
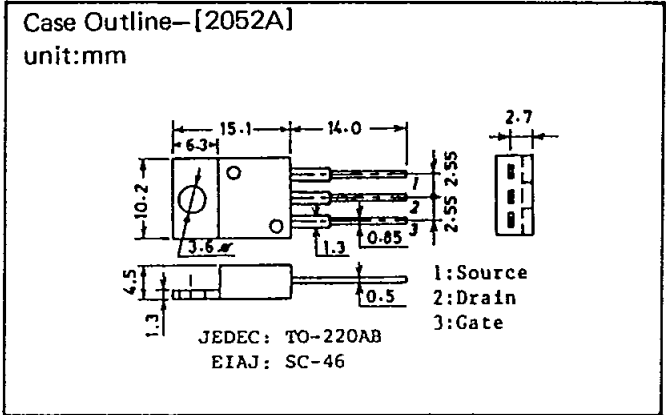
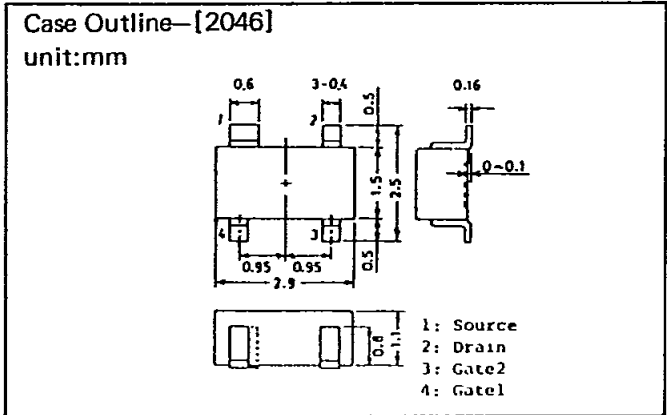
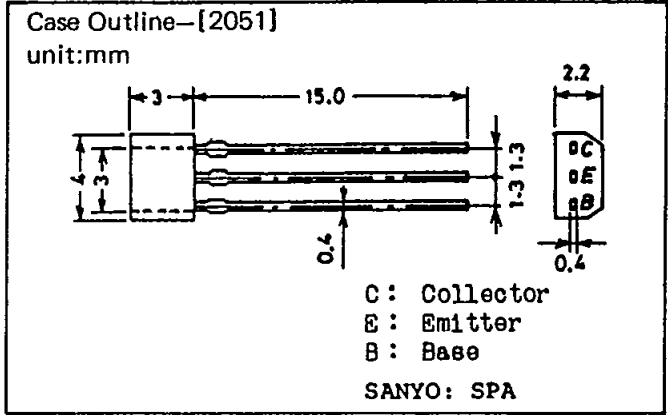
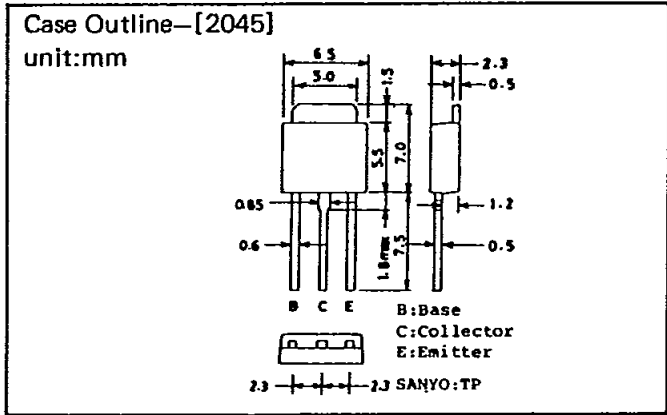
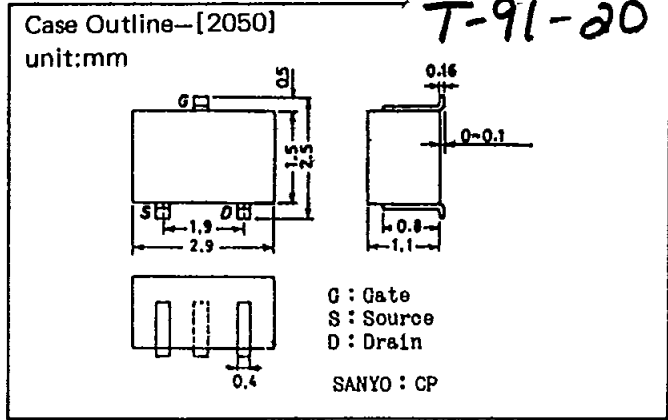
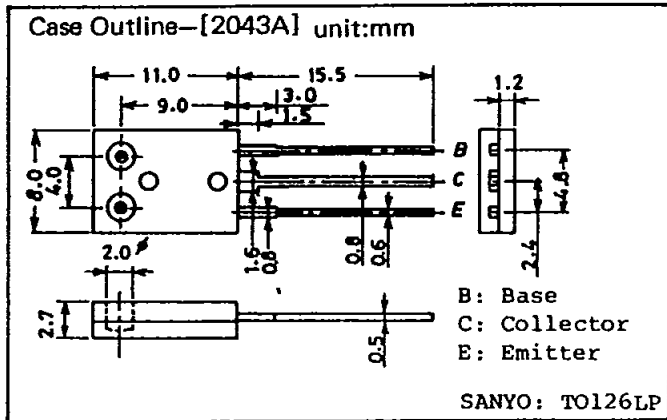
Case Outline-[2042A] unit:mm

unit:mm

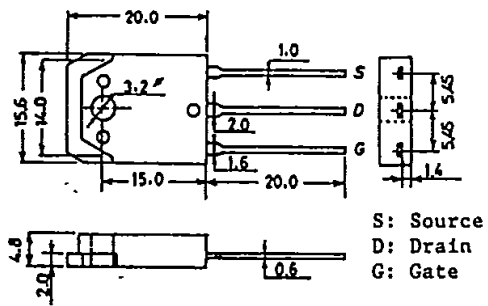


B: Base
C: Collector
E: Emitter
SANYO: TO126ML

T-91-20



Case Outline-[2056] unit:mm

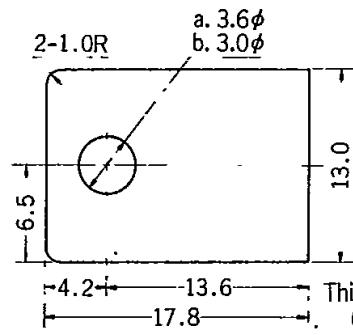


S: Source
D: Drain
G: Gate

SANYO: TO3PB

Case Outline-[0008] unit:mm

T-91-20



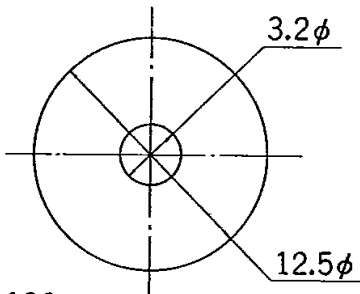
a. IS-313B
b. IS-313D

SANYO

Thickness 0.10~0.05

Case Outline-[0004] unit:mm

unit:mm

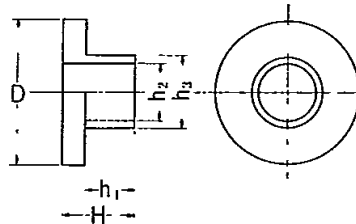


SANYO IS-126

Thickness : 0.075

Case Outline-[0009] unit:mm

unit:mm

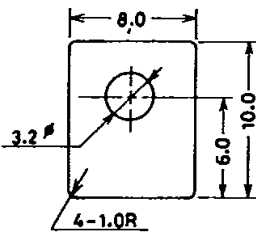


Bush	D	H	h ₁	h ₂	h ₃
A	8.0φ	4.0	2.8	3.1φ	3.89φ
B	8.0φ	3.0	1.8	3.1φ	3.89φ
C	8.0φ	5.7	4.5	3.1φ	3.89φ
D	8.0φ	2.7	1.5	3.1φ	3.89φ
E	8.0φ	3.4	2.2	3.1φ	3.89φ
F	8.0φ	4.0	2.8	3.0φ	3.59φ
K	16.0φ	3.4	1.4	3.1φ	6.0φ
L	6.0φ	3.1	1.5	2.6φ	3.5φ
M	6.0φ	3.1	1.5	3.0φ	3.59φ
P	6.0φ	2.3	1.1	3.0φ	3.59φ

SANYO Bush

Case Outline-[0005] unit:mm

unit:mm

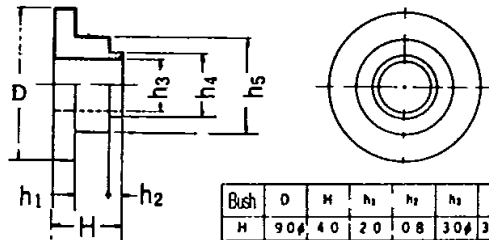


Thickness : 0.075

SANYO IS-126A Mica

Case Outline-[0010] unit:mm

unit:mm

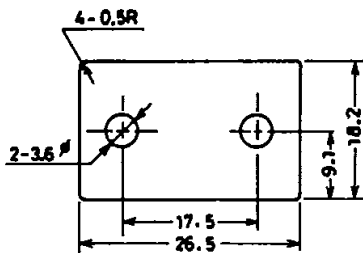


Bush	D	H	h ₁	h ₂	h ₃	h ₄	h ₅
H	9.0φ	4.0	2.0	0.8	3.0φ	3.59φ	5.6φ
T	9.0φ	5.8	2.0	2.6	3.0φ	3.59φ	5.6φ
UB	16.0φ	6.8	1.5	3.3	3.0φ	3.89φ	8.0φ

SANYO Bush

Case Outline-[0006] unit:mm

unit:mm

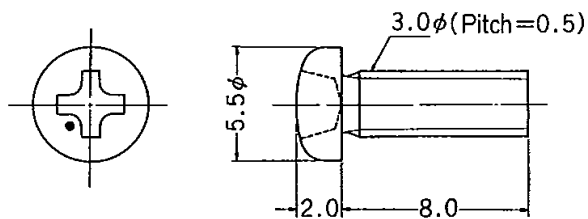


Thickness : 0.05~0.1

SANYO IS-20MA Mica

Case Outline-[0011] unit:mm

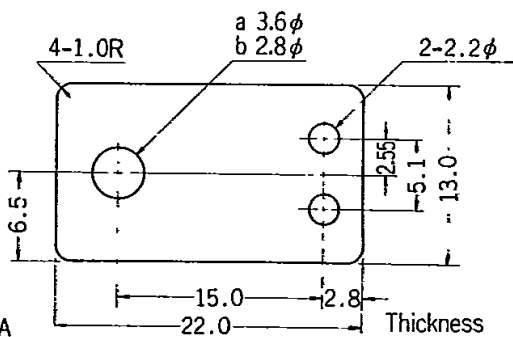
unit:mm



JIS No. B1111 M3×0.5

Case Outline-[0007] unit:mm

unit:mm

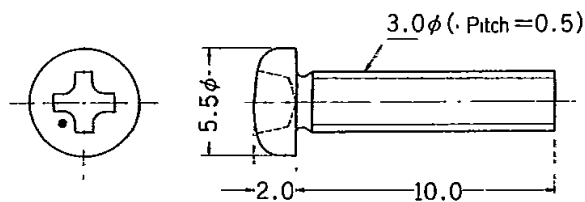


a. IS-313
b. IS-313A

Thickness 0.10~0.05

Case Outline-[0012] unit:mm

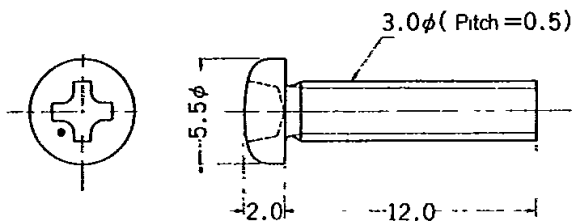
unit:mm



JIS No. B1111 M3×0.5

Case Outline-[0013]

unit:mm

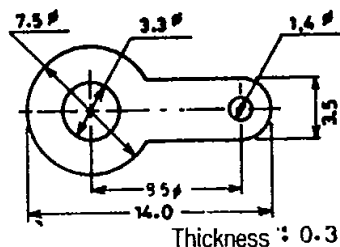


JIS No. B1111 M3×0.5

Case Outline-[0018]

unit:mm

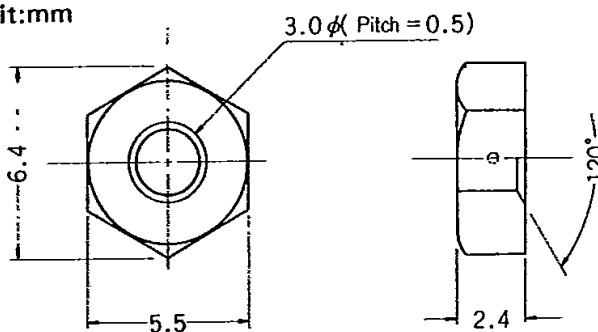
T=91-20



SANYO Lug 1.4

Case Outline-[0014]

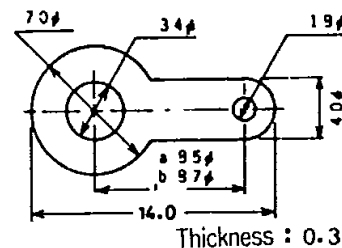
unit:mm



JIS No. B1181 M3×0.5

Case Outline-[0019]

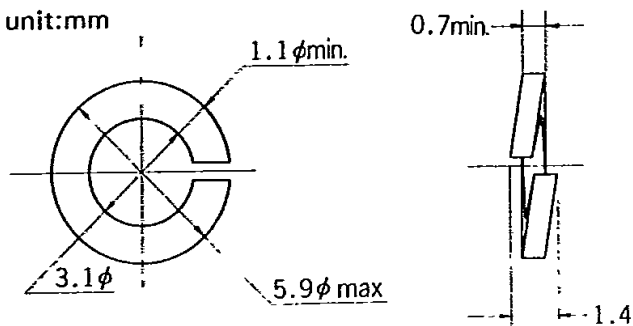
unit:mm



SANYO Lug 1.8φ

Case Outline-[0015]

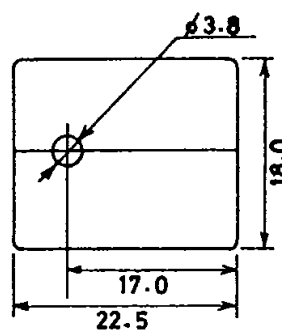
unit:mm



JIS No. B 1251 Spring washer (M3)

Case Outline-[0020]

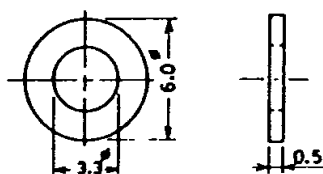
unit:mm



SANYO IS-3MP Mica

Case Outline-[0016]

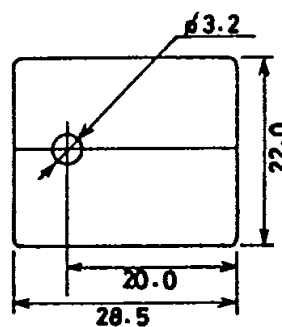
unit:mm



JIS No. B1252 Flat washer

Case Outline-[0021]

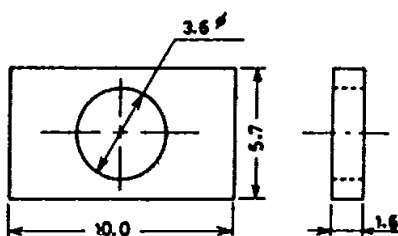
unit:mm



SANYO IS-MPC Mica

Case Outline-[0017]

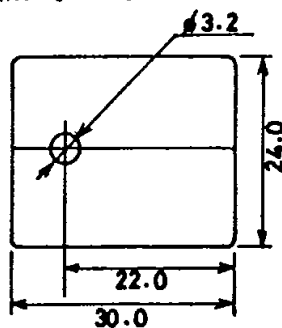
unit:mm



JIS No. G3141 Rectangular washer

Case Outline-[0022]

unit:mm



SANYO IS-3PBL Mica