

Description

The AP3512E is a 500kHz fixed frequency, current mode, PWM synchronous buck (step-down) DC-DC converter, capable of driving a 2A load with high efficiency, excellent line and load regulation. The AP3512E exhibits high efficiency at light load. The device integrates N-channel power MOSFET switch with low on-resistance. Current mode control provides fast transient response and cycle-by-cycle current limit.

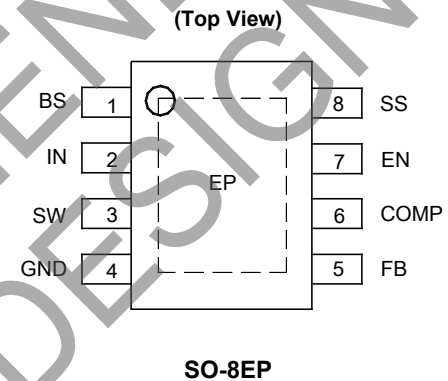
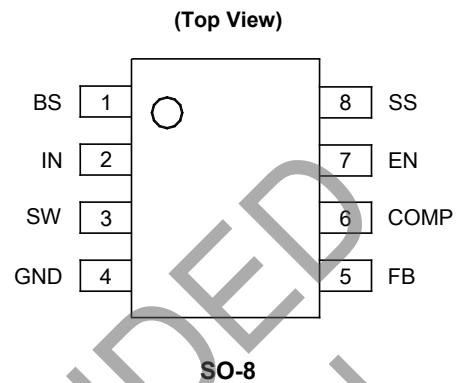
The AP3512E employs complete protection to ensure system security, including output Over Voltage Protection, input Under Voltage Lock Out, programmable Soft-start, Over Temperature Protection and hiccup mode Short Circuit Protection.

This IC is available in SO-8 and SO-8EP packages.

Features

- Input Voltage Range: 4.5V to 18V
- Fixed 500kHz Frequency
- High Efficiency at Light Load
- Output Current: 2A
- Current Mode Control
- Built-In Over Current Protection
- Built-In Thermal Shutdown Function
- Built-In UVLO Function
- Built-In Over Voltage Protection
- Programmable Soft-Start
- Hiccup Mode SCP
- **Totally Lead-Free & Fully RoHS Compliant (Notes 1 & 2)**
- **Halogen and Antimony Free. "Green" Device (Note 3)**

Pin Assignments



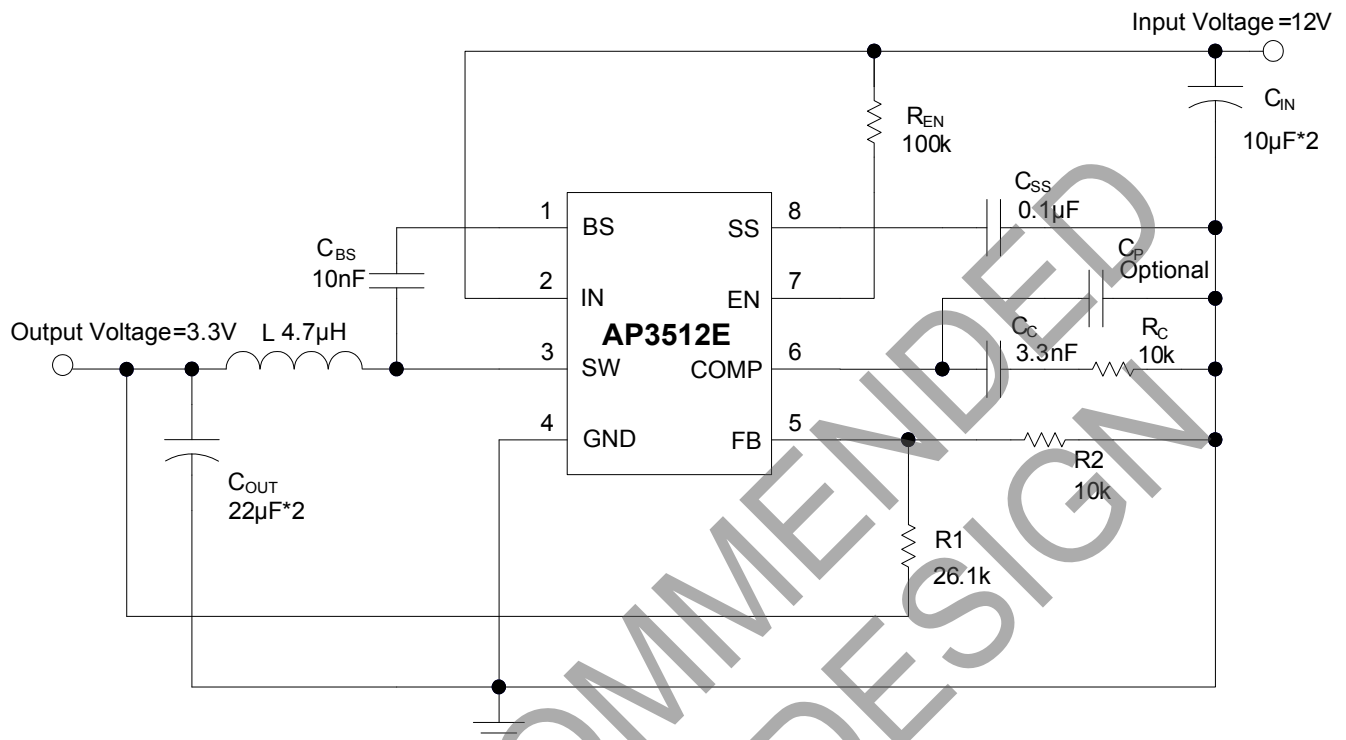
Applications

- Monitor
- TV
- STB
- Datacom

Notes:

1. No purposely added lead. Fully EU Directive 2002/95/EC (RoHS), 2011/65/EU (RoHS 2) & 2015/863/EU (RoHS 3) compliant.
2. See <https://www.diodes.com/quality/lead-free/> for more information about Diodes Incorporated's definitions of Halogen- and Antimony-free, "Green" and Lead-free.
3. Halogen- and Antimony-free "Green" products are defined as those which contain <900ppm bromine, <900ppm chlorine (<1500ppm total Br + Cl) and <1000ppm antimony compounds.

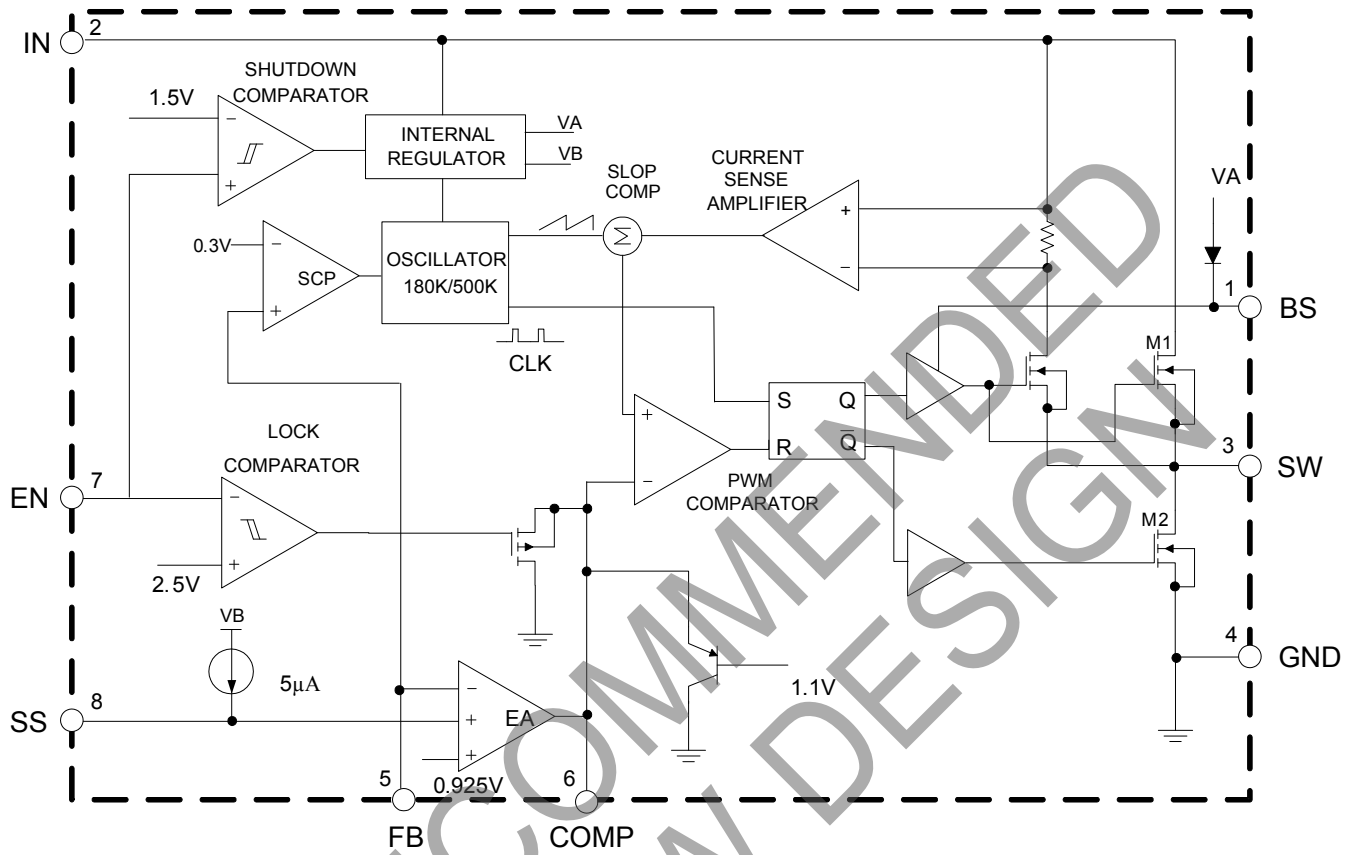
Typical Applications Circuit



Pin Descriptions

| Pin Number | Pin Name | Function |
|------------|----------|---------------------------------------------------------------------------------------------------------------------------------------------------------------------------------------------------------------------------------------------------------------------------------------------------------------|
| 1 | BS | Bootstrap pin. A bootstrap capacitor is connected between the BS pin and SW pin. The voltage across the bootstrap capacitor drives the internal high-side NMOS switch. |
| 2 | IN | Supply input pin. A capacitor should be connected between the IN pin and GND pin to keep the DC input voltage constant. |
| 3 | SW | Power switch output pin. This pin is connected to the inductor and bootstrap capacitor. |
| 4 | GND | Ground pin |
| 5 | FB | Feedback pin. This pin is connected to an external resistor divider to program the system output voltage. When the FB pin voltage exceeds 1.1V, the over voltage protection is triggered. When the FB pin voltage is below 0.3V, the oscillator frequency is lowered to realize short circuit protection. |
| 6 | COMP | Compensation pin. This pin is the output of the transconductance error amplifier and the input to the current comparator. This pin is used to compensate the control loop. Connect a series RC network from this pin to GND pin. In some cases, an additional capacitor from this pin to GND pin is required. |
| 7 | EN | Enable Input. EN is a digital input that turns the regulator on or off. Drive EN high to turn on the regulator, drive it low to turn off. Pull up with 100kΩ resistor for automatic startup. |
| 8 | SS | Soft-start control input pin. SS controls the soft start period. Connect a capacitor from SS to GND to set the soft-start period. A 0.1µF capacitor sets the soft-start period to 15ms. To disable the soft-start feature, leave SS unconnected. |
| - | EP | Exposed pad. It should be connected to GND in PCB layout. |

Functional Block Diagram



NOT RECOMMENDED FOR NEW DESIGN

Absolute Maximum Ratings (Note 4)

| Symbol | Parameter | Value | Unit | |
|---------------|------------------------------------------|----------------------|------|------|
| V_{IN} | IN Pin Voltage | -0.3 to 20 | V | |
| V_{EN} | EN Pin Voltage | -0.3 to V_{IN} | V | |
| V_{SW} | SW Pin Voltage | 21 | V | |
| V_{BS} | BS Pin Voltage | -0.3 to $V_{SW} + 6$ | V | |
| V_{FB} | FB Pin Voltage | -0.3 to 6 | V | |
| V_{COMP} | COMP Pin Voltage | -0.3 to 6 | V | |
| V_{SS} | SS Pin Voltage | -0.3 to 6 | V | |
| T_J | Operating Junction Temperature | +150 | °C | |
| T_{STG} | Storage Temperature | -65 to +150 | °C | |
| T_{LEAD} | Lead Temperature (Soldering, 10s) | +260 | °C | |
| θ_{JA} | Thermal Resistance (Junction to Ambient) | SO-8 | 105 | °C/W |
| | | SO-8EP | 60 | |
| V_{HBM} | ESD (Human Body Model) | 2000 | V | |
| V_{MM} | ESD (Machine Model) | 200 | V | |

Note 4: Stresses greater than those listed under “*Absolute Maximum Ratings*” can cause permanent damage to the device. These are stress ratings only, and functional operation of the device at these or any other conditions beyond those indicated under “*Recommended Operating Conditions*” is not implied. Exposure to “*Absolute Maximum Ratings*” for extended periods can affect device reliability.

Recommended Operating Conditions

| Symbol | Parameter | Min | Max | Unit |
|----------|-------------------------------|-----|-----|------|
| V_{IN} | Input Voltage | 4.5 | 18 | V |
| T_A | Operating Ambient Temperature | -40 | +85 | °C |

Electrical Characteristics ($V_{IN}=V_{EN}=12V$, $V_{OUT}=3.3V$, $T_A=+25^\circ C$, unless otherwise specified.)

| Symbol | Parameter | Conditions | Min | Typ | Max | Unit |
|-----------------------------------|---------------------------------------------------|---------------------------------------------|-------|-------|-------|------------|
| SUPPLY VOLTAGE (IN PIN) | | | | | | |
| V_{IN} | Input Voltage | — | 4.5 | — | 18 | V |
| I_Q | Quiescent Current | $V_{FB}=1V$, $V_{EN}=3.3V$ | — | 1.2 | 1.4 | mA |
| I_{SHDN} | Shutdown Supply Current | $V_{EN}=0V$ | — | 0.1 | 1.0 | μA |
| UNDER VOLTAGE LOCKOUT | | | | | | |
| V_{UVLO} | Input UVLO Threshold | V_{IN} Rising | 3.65 | 4.0 | 4.25 | V |
| V_{HYS} | Input UVLO Hysteresis | — | — | 0.2 | — | V |
| ENABLE (EN PIN) | | | | | | |
| — | EN Shutdown Threshold Voltage | — | 1.1 | 1.5 | 2 | V |
| — | EN Shutdown Threshold Voltage Hysteresis (Note 5) | — | — | 350 | — | mV |
| — | EN Lockout Threshold Voltage | — | 2.2 | 2.5 | 2.7 | V |
| — | EN Lockout Hysteresis | — | — | 210 | — | mV |
| VOLTAGE REFERENCE (FB PIN) | | | | | | |
| V_{FB} | Feedback Voltage | — | 0.907 | 0.925 | 0.943 | V |
| V_{FBOV} | Feedback Over Voltage Threshold | — | — | 1.1 | — | V |
| I_{FB} | Feedback Bias Current | $V_{FB}=1V$ | -0.1 | — | 0.1 | μA |
| MOSFET | | | | | | |
| $R_{DS(ON)H}$ | High-Side Switch On-resistance (Note 6) | $I_{SW}=0.2A$ and $0.7A$ | — | 100 | — | m Ω |
| $R_{DS(ON)L}$ | Low-Side Switch On-resistance (Note 6) | $I_{SW}=-0.2A$ and $-0.7A$ | — | 100 | — | m Ω |
| CURRENT LIMIT | | | | | | |
| I_{LEAKH} | High-Side Switch Leakage Current | $V_{IN}=18V$, $V_{EN}=0V$, $V_{SW}=0V$ | — | 0.1 | 10 | μA |
| I_{LIMH} | High-Side Switch Current Limit | — | 4.3 | 5.6 | — | A |
| I_{LIML} | Low-Side Switch Current Limit | From drain to source | — | 50 | — | mA |
| SWITCHING REGULATOR | | | | | | |
| f_{OSC1} | Oscillator Frequency | — | 410 | 500 | 590 | kHz |
| f_{OSC2} | Short Circuit Oscillator Frequency | — | — | 180 | — | kHz |
| D_{MAX} | Maximum Duty Cycle | $V_{FB}=0.85V$ | — | 90 | — | % |
| D_{MIN} | Minimum Duty Cycle | $V_{FB}=1V$ | — | — | 0 | % |
| ERROR AMPLIFIER | | | | | | |
| A_{EA} | Error Amplifier Voltage Gain (Note 5) | — | — | 400 | — | V/V |
| G_{EA} | Error Amplifier Transconductance | — | — | 800 | — | $\mu A/V$ |
| G_{CS} | COMP to Current Sense Transconductance | — | — | 5.2 | — | A/V |

Electrical Characteristics (continued) ($V_{IN}=V_{EN}=12V$, $V_{OUT}=3.3V$, $T_A=+25^{\circ}C$, unless otherwise specified.)

| Symbol | Parameter | Conditions | Min | Typ | Max | Unit |
|----------------------------|--------------------------------------|-------------------|-----|------|-----|-------------|
| THERMAL SHUTDOWN | | | | | | |
| T_{OTSD} | Thermal Shutdown (Note 5) | — | — | +160 | — | $^{\circ}C$ |
| T_{HYS} | Thermal Shutdown Hysteresis (Note 5) | — | — | +30 | — | $^{\circ}C$ |
| SOFT START (SS PIN) | | | | | | |
| t_{SS} | Soft-Start Time (Note 5) | $C_{SS}=0.1\mu F$ | — | 15 | — | ms |
| — | Soft-Start Current | — | — | 5 | — | μA |

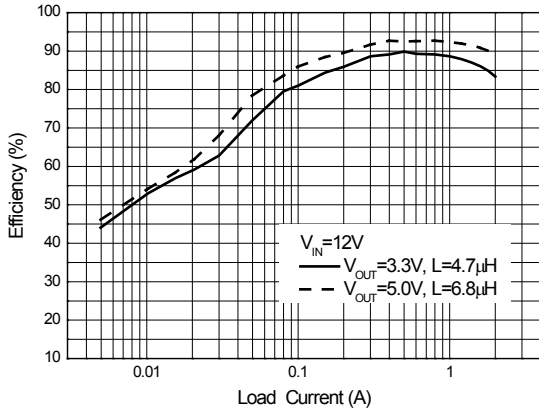
Notes: 5. Not tested, guaranteed by design.

6. $R_{DS(ON)} = \frac{V_{SW1} - V_{SW2}}{I_{SW1} - I_{SW2}}$

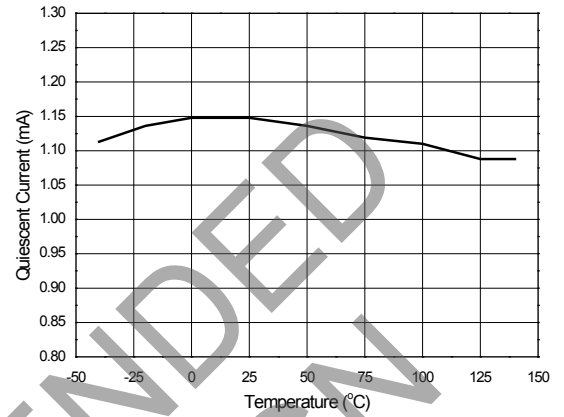
NOT RECOMMENDED FOR NEW DESIGN

Performance Characteristics ($V_{IN}=12V$, $V_{OUT}=3.3V$, $L=4.7\mu H$, $T_A=+25^\circ C$, unless otherwise noted.)

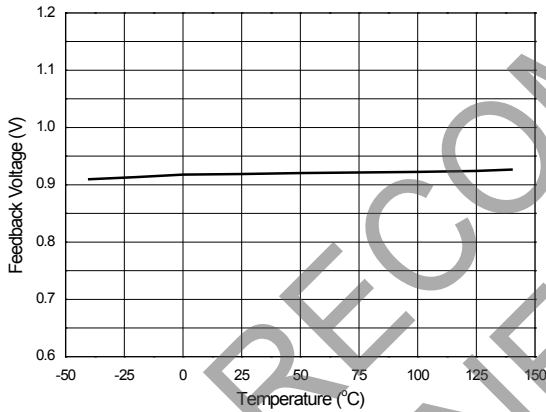
Efficiency vs. Load Current



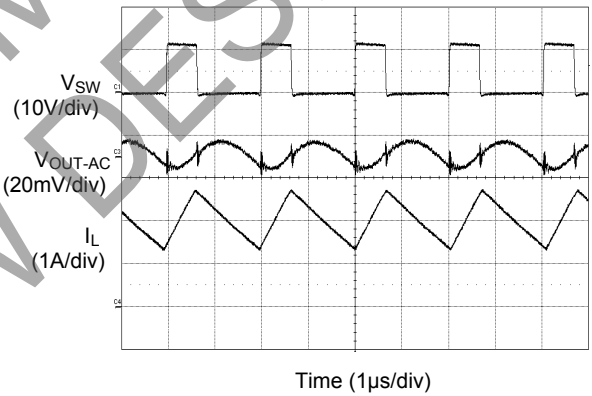
Quiescent Current vs. Temperature



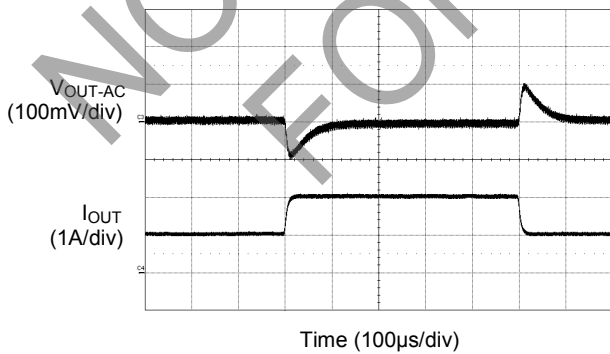
Feedback Voltage vs. Temperature



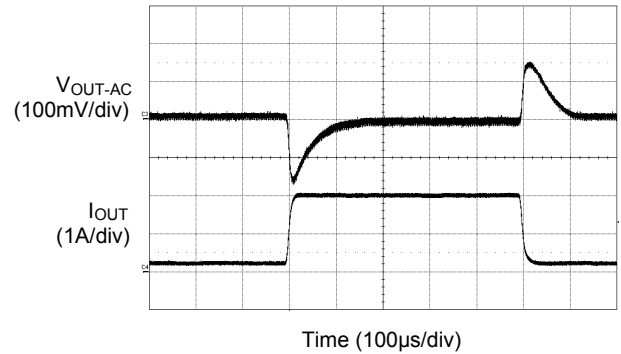
Output Ripple ($I_{OUT}=2A$)



Load Transient Response ($I_{OUT}=1A$ to $2A$)

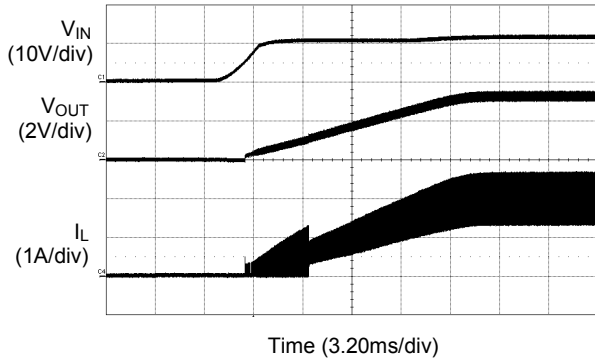


Load Transient Response ($I_{OUT}=0.2A$ to $2A$)

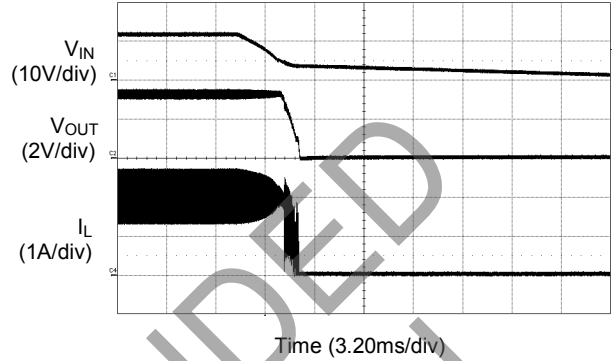


Performance Characteristics (continued) ($V_{IN}=12V$, $V_{OUT}=3.3V$, $L=4.7\mu H$, $T_A=+25^\circ C$, unless otherwise noted.)

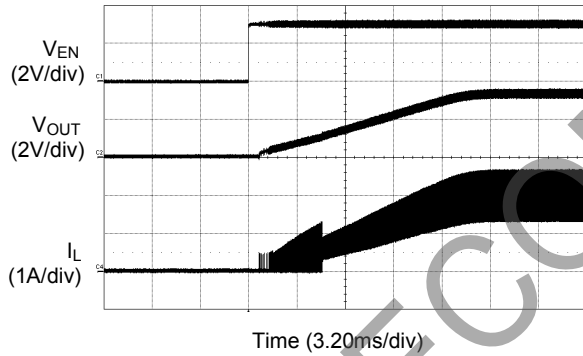
Power On from V_{IN} ($I_{OUT}=2A$)



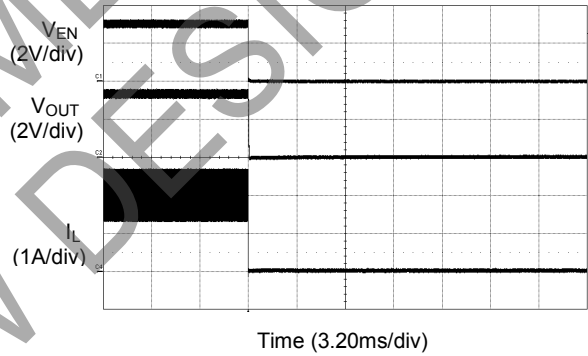
Power Off from V_{IN} ($I_{OUT}=2A$)



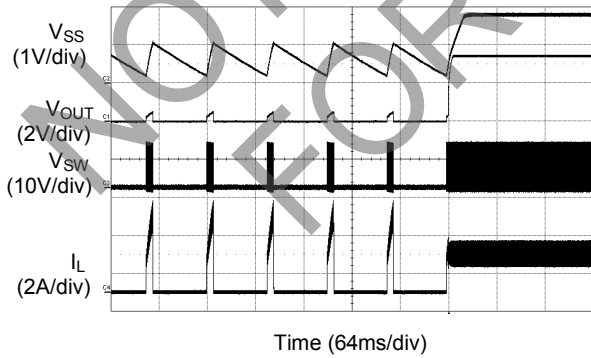
Power On from EN ($I_{OUT}=2A$)



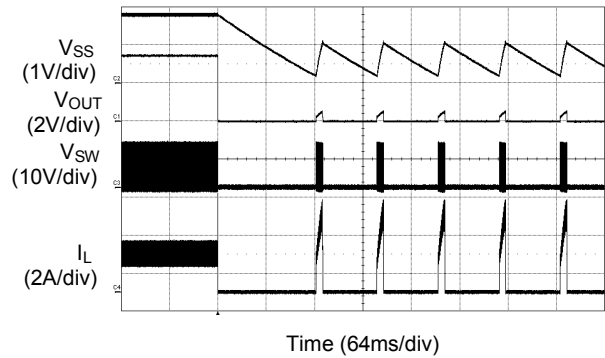
Power Off from EN ($I_{OUT}=2A$)



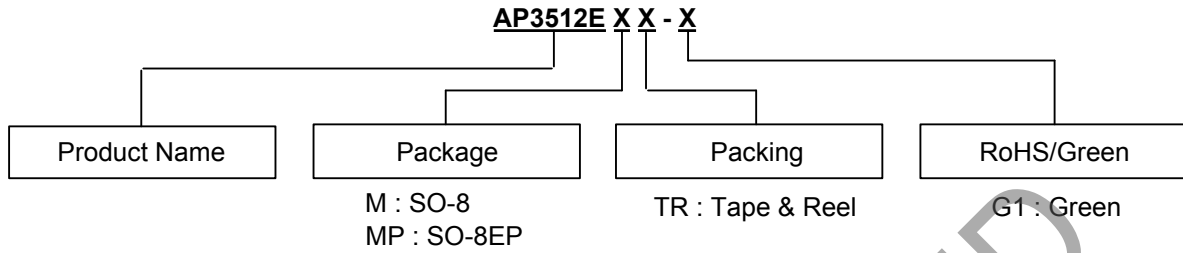
Short Circuit Protection ($I_{OUT}=2A$)



Short Circuit Protection Recovery ($I_{OUT}=2A$)



Ordering Information



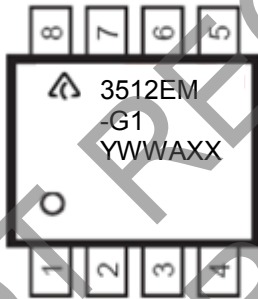
| Package (Note 8) | Temperature Range | Part Number | Packing | Status (Note 7) |
|------------------|-------------------|----------------|------------------|-----------------|
| SO-8 | -40 to +85°C | AP3512EMTR-G1 | 4000/Tape & Reel | In production |
| SO-8EP | -40 to +85°C | AP3512EMPTR-G1 | 4000/Tape & Reel | In production |

Notes: 7. All Tube versions are End of Life with replacement in Tape & Reel versions.
8. For packaging details, go to our website at <https://www.diodes.com/design/support/packaging/diodes-packaging/>.

Marking Information

(1) SO-8

(Top View)



First and Second Lines: Logo and Marking ID
Third Line: Date Code
Y: Year
WW: Work Week of Molding
A: Assembly Site Code
XX: 7th and 8th Digits of Batch Number

(2) SO-8EP

(Top View)

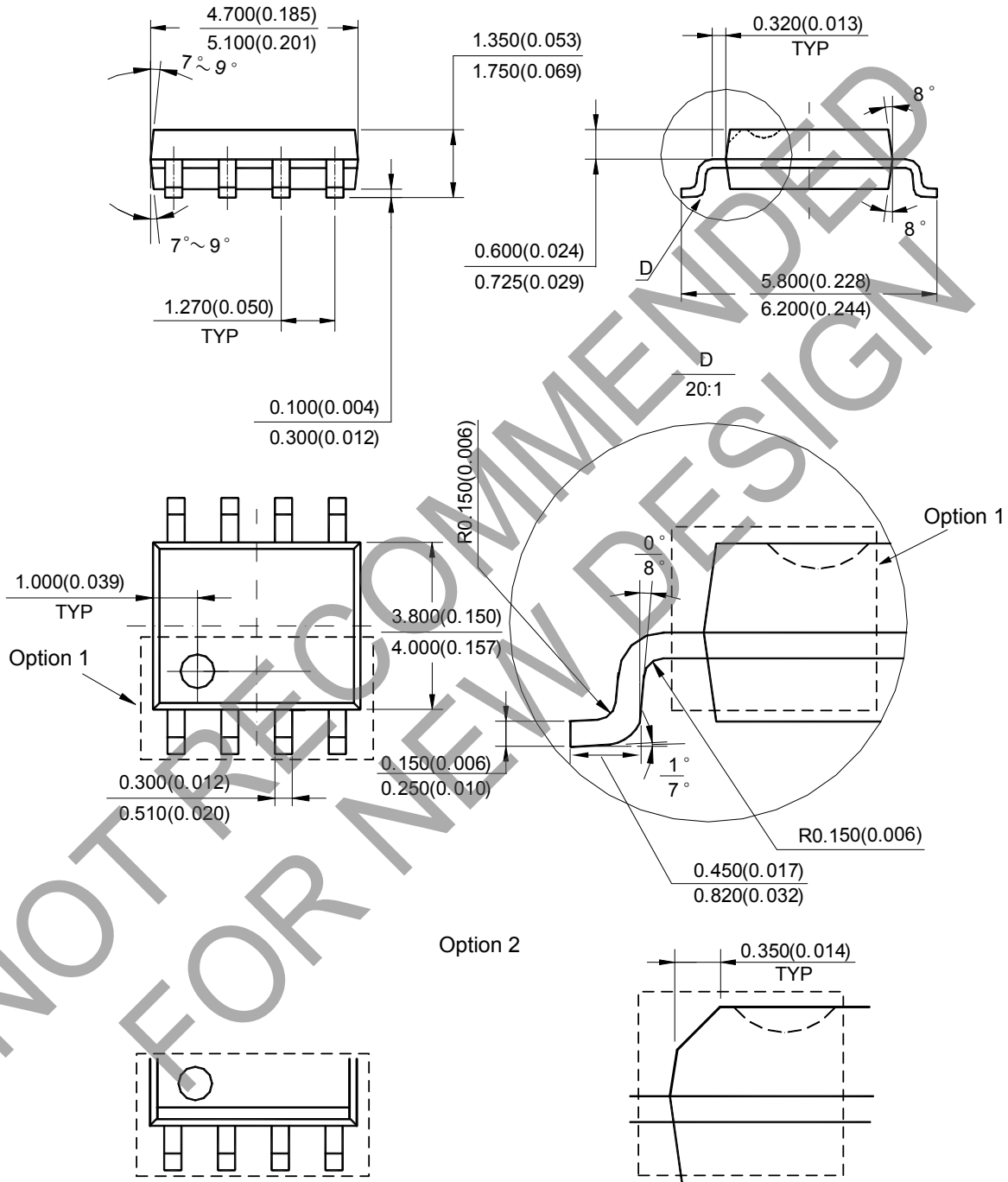


First and Second Lines: Logo and Marking ID
Third Line: Date Code
Y: Year
WW: Work Week of Molding
A: Assembly Site Code
XX: 7th and 8th Digits of Batch Number

Package Outline Dimensions (All dimensions in mm(inch).)

Please see <http://www.diodes.com/package-outlines.html> for the latest version.

(1) Package Type: SO-8

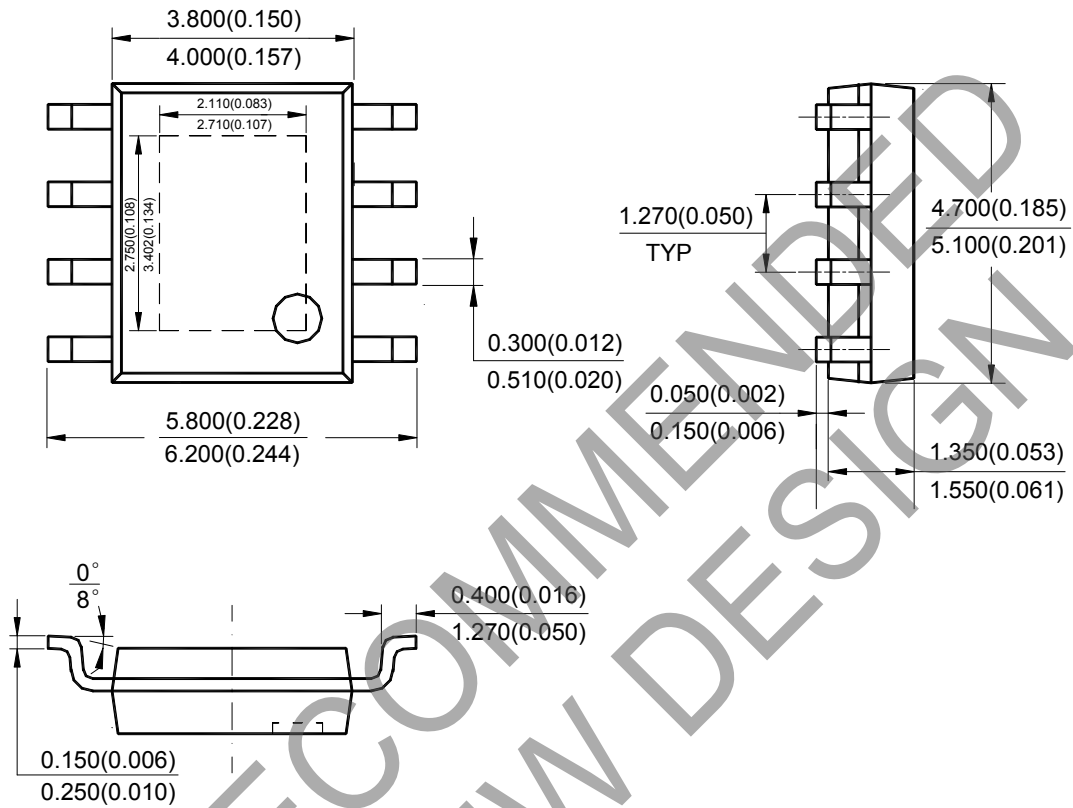


Note: Eject hole, oriented hole and mold mark is optional.

Package Outline Dimensions (continued. All dimensions in mm (inch).)

Please see <http://www.diodes.com/package-outlines.html> for the latest version.

(2) Package Type: SO-8EP



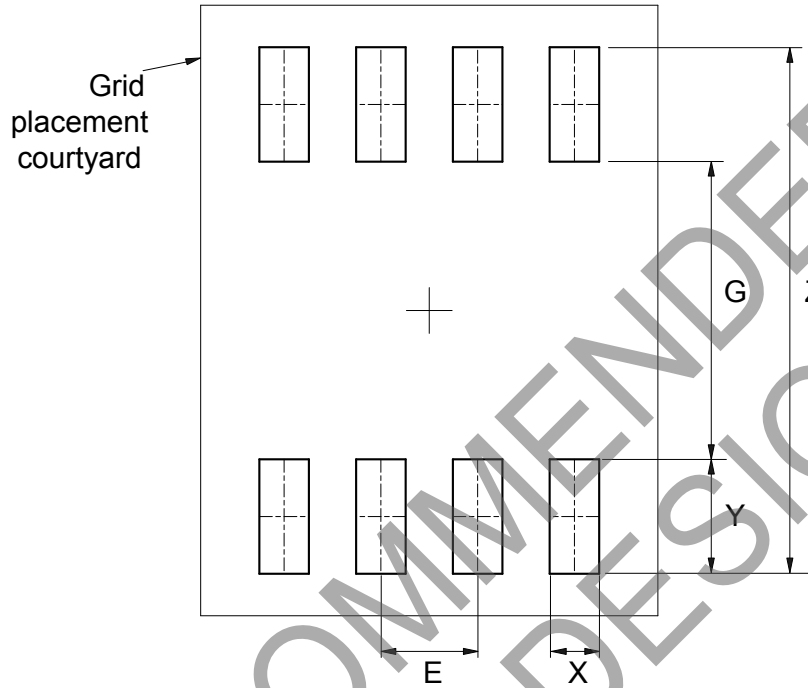
Note: Eject hole, oriented hole and mold mark is optional.

NOT RECOMMENDED FOR NEW DESIGN

Suggested Pad Layout

Please see <http://www.diodes.com/package-outlines.html> for the latest version.

(1) Package Type: SO-8



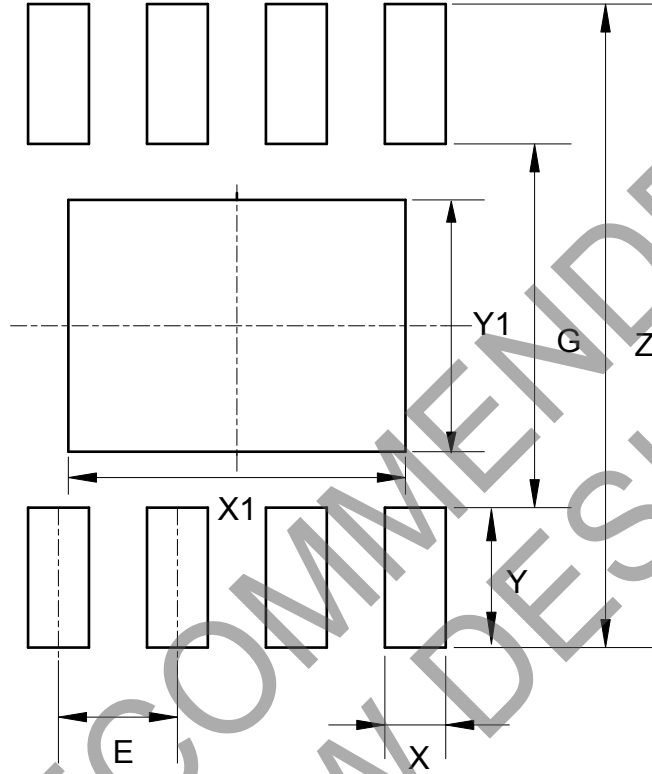
| Dimensions | Z (mm)/(inch) | G (mm)/(inch) | X (mm)/(inch) | Y (mm)/(inch) | E (mm)/(inch) |
|------------|------------------|------------------|------------------|------------------|------------------|
| Value | 6.900/0.272 | 3.900/0.154 | 0.650/0.026 | 1.500/0.059 | 1.270/0.050 |

NOT RECOMMENDED FOR NEW DESIGN

Suggested Pad Layout (continued)

Please see <http://www.diodes.com/package-outlines.html> for the latest version.

(2) Package Type: SO-8EP



| Dimensions | Z (mm)/(inch) | G (mm)/(inch) | X (mm)/(inch) | Y (mm)/(inch) | X1 (mm)/(inch) | Y1 (mm)/(inch) | E (mm)/(inch) |
|------------|------------------|------------------|------------------|------------------|-------------------|-------------------|------------------|
| Value | 6.900/0.272 | 3.900/0.154 | 0.650/0.026 | 1.500/0.059 | 3.600/0.142 | 2.700/0.106 | 1.270/0.050 |

NOT RECOMMENDED FOR DESIGN

IMPORTANT NOTICE

DIODES INCORPORATED MAKES NO WARRANTY OF ANY KIND, EXPRESS OR IMPLIED, WITH REGARDS TO THIS DOCUMENT, INCLUDING, BUT NOT LIMITED TO, THE IMPLIED WARRANTIES OF MERCHANTABILITY AND FITNESS FOR A PARTICULAR PURPOSE (AND THEIR EQUIVALENTS UNDER THE LAWS OF ANY JURISDICTION).

Diodes Incorporated and its subsidiaries reserve the right to make modifications, enhancements, improvements, corrections or other changes without further notice to this document and any product described herein. Diodes Incorporated does not assume any liability arising out of the application or use of this document or any product described herein; neither does Diodes Incorporated convey any license under its patent or trademark rights, nor the rights of others. Any Customer or user of this document or products described herein in such applications shall assume all risks of such use and will agree to hold Diodes Incorporated and all the companies whose products are represented on Diodes Incorporated website, harmless against all damages.

Diodes Incorporated does not warrant or accept any liability whatsoever in respect of any products purchased through unauthorized sales channel. Should Customers purchase or use Diodes Incorporated products for any unintended or unauthorized application, Customers shall indemnify and hold Diodes Incorporated and its representatives harmless against all claims, damages, expenses, and attorney fees arising out of, directly or indirectly, any claim of personal injury or death associated with such unintended or unauthorized application.

Products described herein may be covered by one or more United States, international or foreign patents pending. Product names and markings noted herein may also be covered by one or more United States, international or foreign trademarks.

This document is written in English but may be translated into multiple languages for reference. Only the English version of this document is the final and determinative format released by Diodes Incorporated.

LIFE SUPPORT

Diodes Incorporated products are specifically not authorized for use as critical components in life support devices or systems without the express written approval of the Chief Executive Officer of Diodes Incorporated. As used herein:

A. Life support devices or systems are devices or systems which:

1. are intended to implant into the body, or
2. support or sustain life and whose failure to perform when properly used in accordance with instructions for use provided in the labeling can be reasonably expected to result in significant injury to the user.

B. A critical component is any component in a life support device or system whose failure to perform can be reasonably expected to cause the failure of the life support device or to affect its safety or effectiveness.

Customers represent that they have all necessary expertise in the safety and regulatory ramifications of their life support devices or systems, and acknowledge and agree that they are solely responsible for all legal, regulatory and safety-related requirements concerning their products and any use of Diodes Incorporated products in such safety-critical, life support devices or systems, notwithstanding any devices- or systems-related information or support that may be provided by Diodes Incorporated. Further, Customers must fully indemnify Diodes Incorporated and its representatives against any damages arising out of the use of Diodes Incorporated products in such safety-critical, life support devices or systems.

Copyright © 2020, Diodes Incorporated

www.diodes.com