

# FR9887 23V, 2A, 340KHz Synchronous Step-Down DC/DC Converter

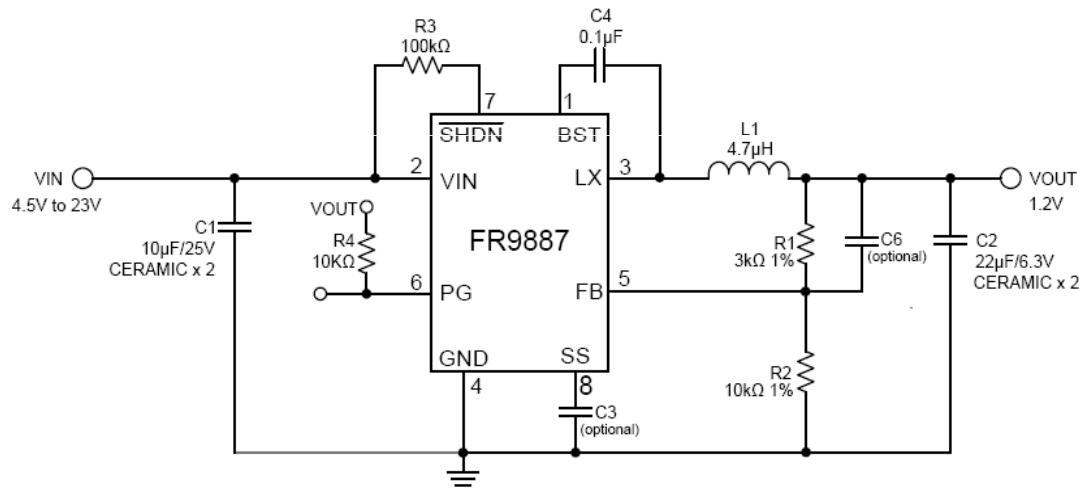
## FEATURES

- High Efficiency up to 95%
- Low Rds(on) Integrated Power MOSFET
- Internal Compensation Function
- Wide Input Voltage Range: 4.5V to 23V
- Adjustable Output Voltage Down to 0.925V
- 2A Output Current
- Fixed 340KHz Switching Frequency
- External Programmable Soft-Start or Internal 600μs Soft-Start
- PSM (High Efficiency at Light Load)
- Power Good Indicator Output for Different Circuit
- Hiccup Short Circuit Protect

## PIN DESCRIPTION

NAME	SOP8	DESCRIPTION
<b>BST</b>	1	High Side Gate Drive Boost
<b>VIN</b>	2	Power Supply Input Pin
<b>LX</b>	3	Power Switching Output
<b>GND</b>	4,9	Ground
<b>FB</b>	5	Voltage Feedback Input
<b>PG</b>	6	Power Good Output
<b>SHDN</b>	7	Enable Input
<b>SS</b>	8	Soft-Start

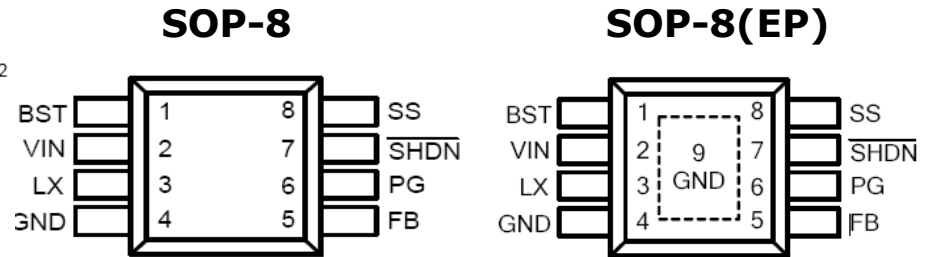
## TYPICAL APPLICATION CIRCUIT



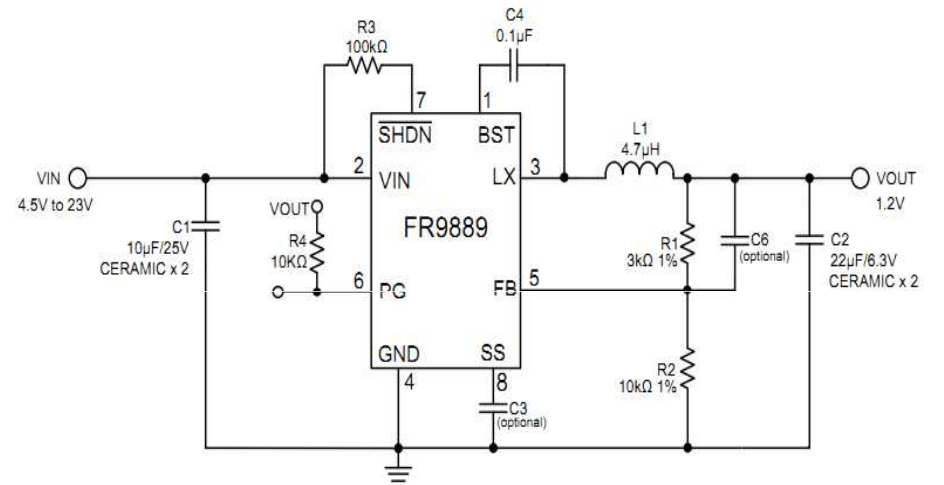
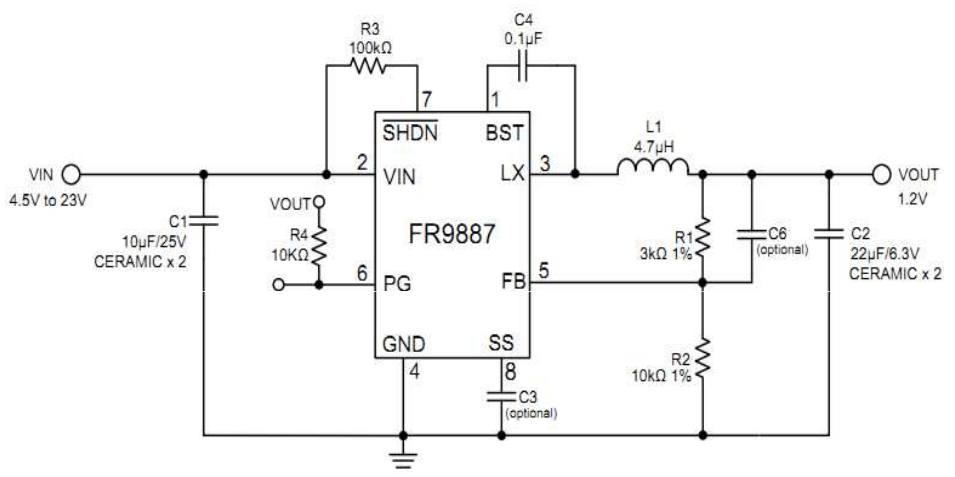
## TYPICAL APPLICATION

- STB (Set-Top-Box)
- LCD Display, TV
- Distributed Power System
- Networking, XDSL Modem

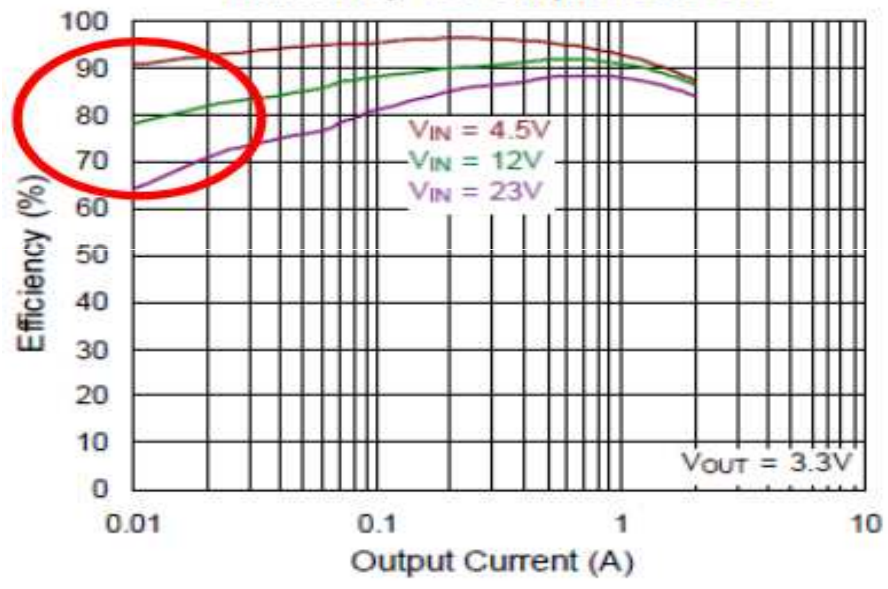
## PACKAGE



# FR9887/9 Light Load Efficiency is Convincing



Efficiency vs. Output Current



Efficiency vs. Load Current

