

LA1823**SANYO****Single-Chip Tuner IC
for Use in Radio Cassette Recorder****Preliminary****Overview**

The LA1823 is a single-chip tuner IC that incorporates FM/AM and MPX circuits and supports electronic tuning. The built-in MPX-VCO allows this IC to be adjustment-free and to require no external components.

Features

- FM, AM and MPX integrated in a single-chip.
- FM front-end : Local OSC voltage reduced.
- Adjustment free MPX-VCO
: No ceramic resonator used.
- Adjustment free FM-DET
: Using ceramic discriminator.
- Build in FM stereo indicator.
- Build in FM/AM IF count buffer.
- Build in AM OSC buffer.
- Package : DIP-24S.

Functions

- FM : RF amplifier, mixer, oscillator, IF amplifier, detector, signal meter, IF count buffer output.
 AM : RF amplifier, mixer, oscillator (with ALC), oscillator buffer output, IF amplifier, detector, AGC, IF count buffer output.
 MPX : PLL stereo decoder, stereo indicator, VCO on chip, forced monaural, Audio mute.

Specifications**Maximum Ratings** at $T_a = 25\text{ }^\circ\text{C}$

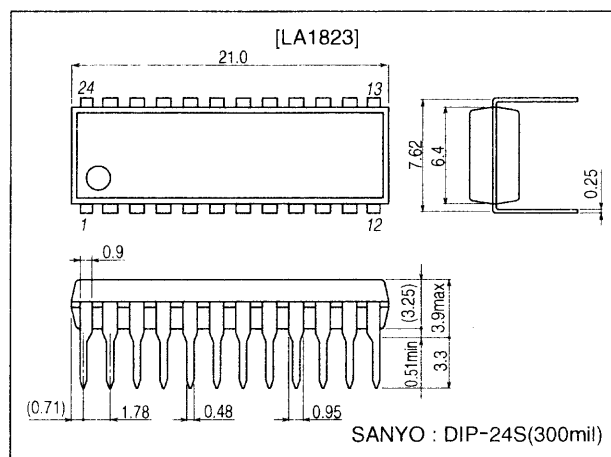
Parameter	Symbol	Conditions	Ratings	Unit
Maximum supply voltage	$V_{CC\text{ max}}$		7.0	V
Indicator drive current	I_{LED}	Pin 8	20	mA
Allowable power dissipation	$P_d\text{ max}$	$T_a \leq 70\text{ }^\circ\text{C}$	300	mW
Operating temperature	T_{opg}		-20 to +70	$^\circ\text{C}$
Storage temperature	T_{stg}		-40 to +125	$^\circ\text{C}$

Operating Conditions at $T_a = 25\text{ }^\circ\text{C}$

Parameter	Symbol	Conditions	Ratings	Unit
Recommended supply voltage	V_{CC}		4.5	V
Operation supply voltage range	$V_{CC\text{ op}}$		1.8 to 6.0	V

Package Dimensions

unit : mm
3067A



■ Any and all SANYO products described or contained herein do not have specifications that can handle applications that require extremely high levels of reliability, such as life-support systems, aircraft's control systems, or other applications whose failure can be reasonably expected to result in serious physical and/or material damage. Consult with your SANYO representative nearest you before using any SANYO products described or contained herein in such applications.

■ SANYO assumes no responsibility for equipment failures that result from using products at values that exceed, even momentarily, rated values (such as maximum ratings, operating condition ranges, or other parameters) listed in products specifications of any and all SANYO products described or contained herein.

Operating Characteristics at $T_a = 25\text{ }^\circ\text{C}$, $V_{CC} = 4.5\text{ V}$, in the specified test circuit using the IC59-2043-2 socket (Yamaichi Electric Co.,Ltd.)

Quiescent supply current

Parameter	Symbol	Conditions	Ratings			Unit
			min	typ	max	
FM-mode quiescent current	I _{CC} (FM)	No input	10.0	15.0	20.0	mA
AM-mode quiescent current	I _{CC} (AM)	No input	6.5	9.2	14.5	mA

FM front-end characteristics at $f_c = 98\text{ MHz}$, $f_m = 1\text{ kHz}$, 22.5 kHz dev

Parameter	Symbol	Conditions	Ratings			Unit
			min	typ	max	
Input limiting voltage	-3 dB L.S.	Referenced to $V_{IN} = 60\text{ dB}\mu\text{V}$ EMF, 22.5 kHz dev, a 3 dB down input		12		dB μV EMF
Local oscillator voltage	V _{OSC}	$f_{osc} = 108.7\text{ MHz}$ with FET buffer gain = 0 dB		100		mVrms

FM IF characteristics (monaural) at $f_c = 10.7\text{ MHz}$, $f_m = 1\text{ kHz}$, 75 kHz dev

Parameter	Symbol	Conditions	Ratings			Unit
			min	typ	max	
Demodulation output	V _O	$V_{IN} = 100\text{ dB}\mu\text{V}$	135	180	240	mVrms
Signal-to-noise ratio	S/N	$V_{IN} = 100\text{ dB}\mu\text{V}$	63	72		dB
Total harmonic distortion (mono)	THD	$V_{IN} = 100\text{ dB}\mu\text{V}$		0.5	1.5	%
Input limiting voltage	-3 dB L.S.	Referenced to $V_{IN} = 100\text{ dB}\mu\text{V}$, 75 kHz dev, a 3 dB down input	31	38	45	dB μV
IF count buffer on level	IF buff on	IF count buffer on	35	45	55	dB μV
IF count buffer output	V _{IF buff}	Test from pin 7 for $V_{IN} = 100\text{ dB}\mu\text{V}$, no modulation	120	180	240	mVrms

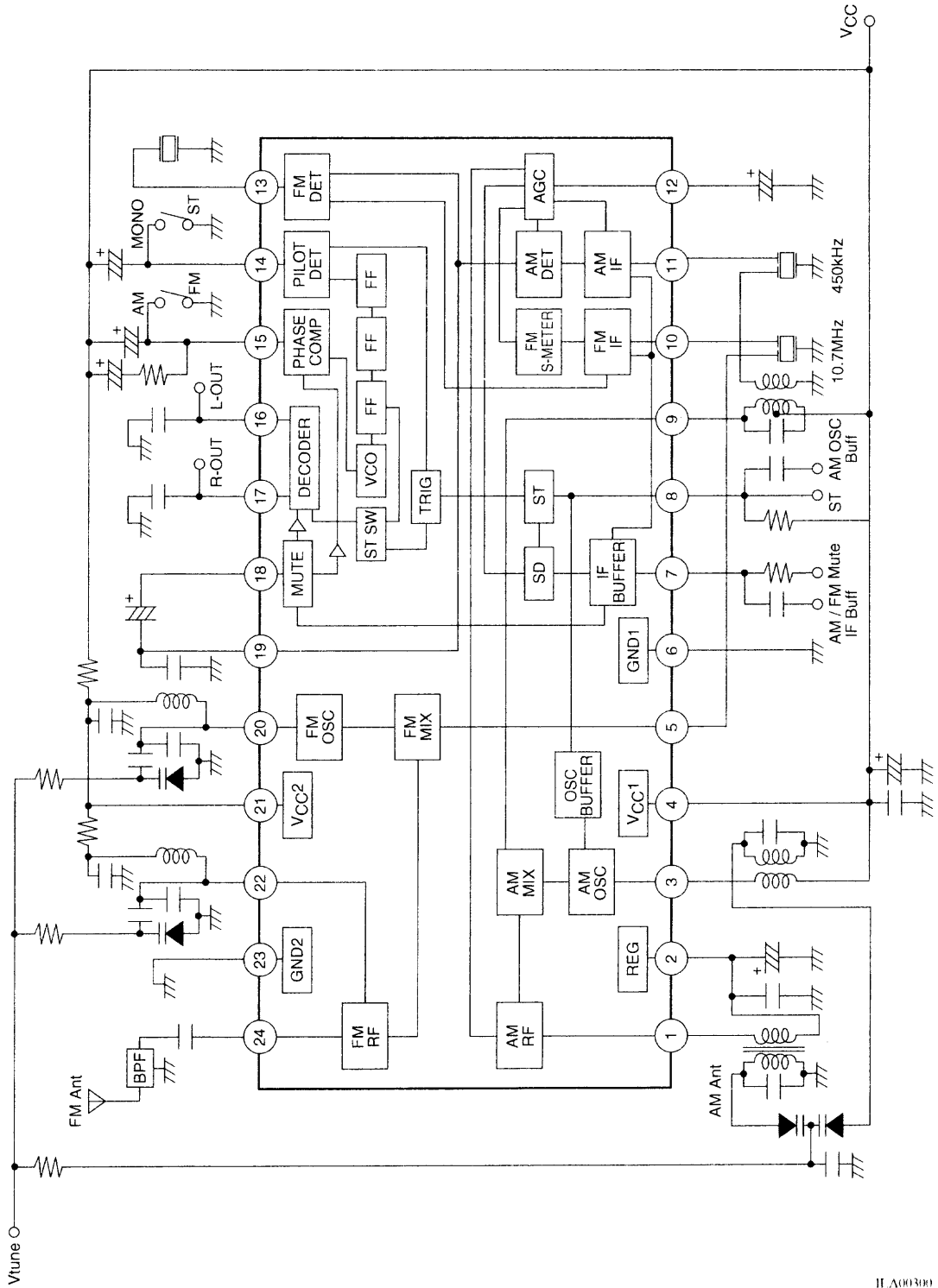
FM IF characteristics (stereo) at $f_c = 10.7\text{ MHz}$, $f_m = 1\text{ kHz}$, 75 kHz dev, L + R = 90 %, PILOT = 10 %

Parameter	Symbol	Conditions	Ratings			Unit
			min	typ	max	
Separation	SEP	$V_{IN} = 100\text{ dB}\mu\text{V}$	25	40		dB
Stereo on level	ST-ON	$V_{IN} = 100\text{ dB}\mu\text{V}$, Pilot modulation	2.4	3.5	7.2	%
Total harmonic distortion (main)	THD	$V_{IN} = 100\text{ dB}\mu\text{V}$		0.5	1.7	%

AM characteristics at $f_c = 1\text{ MHz}$, $f_m = 1\text{ kHz}$, mod = 30 %

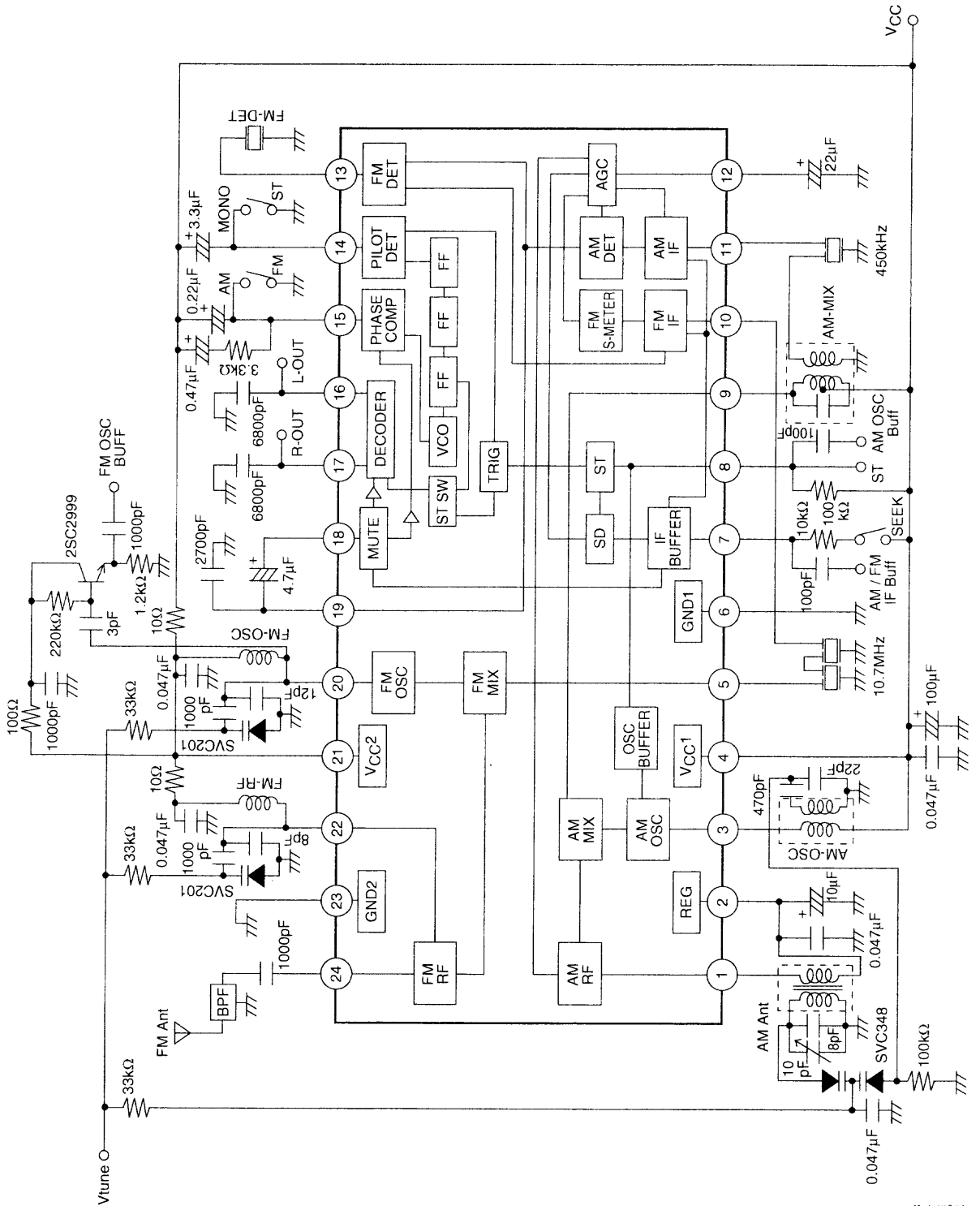
Parameter	Symbol	Conditions	Ratings			Unit
			min	typ	max	
Detector output	V _O (1)	$V_{IN} = 23\text{ dB}\mu\text{V}$	17	30	53	mVrms
	V _O (2)	$V_{IN} = 80\text{ dB}\mu\text{V}$	50	75	120	mVrms
Signal-to-noise ratio	S/N(1)	$V_{IN} = 23\text{ dB}\mu\text{V}$	15	20		dB
	S/N(2)	$V_{IN} = 80\text{ dB}\mu\text{V}$	47	54		dB
Total harmonic distortion	THD	$V_{IN} = 80\text{ dB}\mu\text{V}$		0.5	1.5	%
OSC buffer output	V _{OSC buff}	Test from pin 8 for no input	80	100	160	mVrms
IF count buffer on level	IF buff on	IF count buffer on	15	25	32	dB μV
IF count buffer output	V _{IF buff}	Test from pin 7 for $V_{IN} = 80\text{ dB}\mu\text{V}$, no modulation	110	180	220	mVrms

Block Diagram



IF A00300

Sample Application Circuit Diagram



II A#0301

Coil specifications (bottom view)

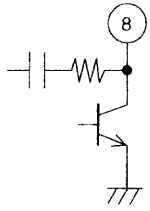
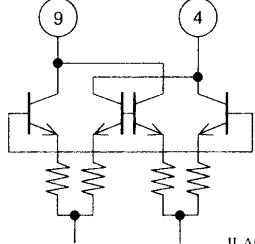
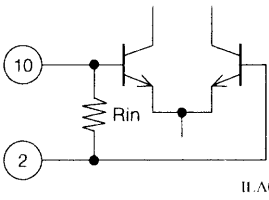
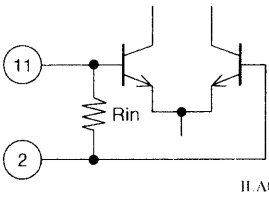
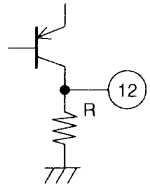
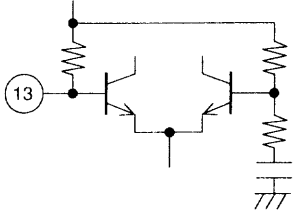
• FM-BPF : SA-309 (Sumida) 88 MHz to 108 MHz	
• FM-RF : SA-149 (Sumida) 3.6 mm diameter, air core, 0.6 mm wire, 4.5 T	
• FM-OSC : SA-151 (Sumida) 3.6 mm diameter, air core, 0.6 mm wire, 3.5 T	
• FM-IF filter, discriminator : SK107M1-AE-10, CDF107F-AE-029 (Toko) SFE10.7MA5, CDA10.7MG1-A (Murata) : tentative	
• AM-OSC : SA-181 (Sumida)	: L7BRS-3132AQ (Toko)
<p> 6-4 37 T 3-1 74 T 0.06UEW $f_o = 796 \text{ kHz}$ $Q_o \geq 80$ $L = 140 \mu\text{H}$ </p> <p>II A00302</p>	<p> 3-1 64 T 6-4 32 T 0.06-2UEW $f_o = 796 \text{ kHz}$ $Q_o \geq 65$ $L = 140 \mu\text{H}$ </p> <p>II A00302</p>
• AM-MIX : SA-1136 (Sumida)	: PCFAZ-082 (Toko)
<p> 3-2 122 T 4-6 9 T 2-1 62 T 0.06UEW $f_o = 450 \text{ kHz}$, $Q_o \geq 65$ 180 pF internal </p> <p>II A00304</p>	<p> 1-2 47 T 2-3 100 T 4-6 12 T $f_o = 450 \text{ kHz}$ 180 pF internal With AM-IF filter </p> <p>II A00305</p>
• AM-IF filter : SFU450B (Murata)	
• MW Bar-antenna : C8E-A0105 (Toko)	
<p> 1-2 67 T 3-4 9 T $f_o = 796 \text{ kHz}$ $Q_u = 180 \text{ min}$ $L = 260 \mu\text{H}$ </p> <p>II A00306</p>	

LA1823

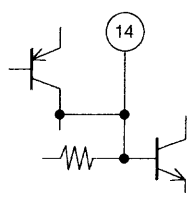
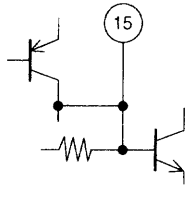
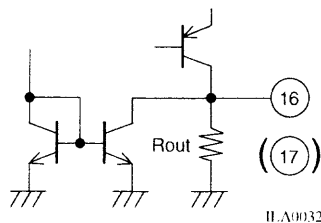
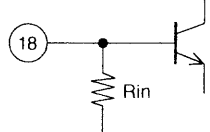
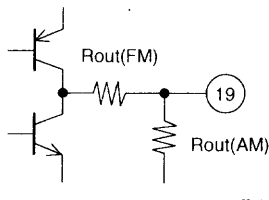
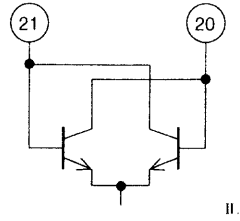
Pin Descriptions and Quiescent Voltage at VCC = 4.5 V

Pin number	Function	Quiescent voltage (V)		Equivalent circuit	Remarks
		AM	FM		
1	AM-RF input	1.2	1.2		Connect the AM antenna coil between this pin and pin 2 (Reg)
2	Reg	1.2	1.2		
3	AM-OSC	4.5	4.5		Connect the AM oscillator coil between this pin and pin 4 (VCC1)
4	VCC1	4.5	4.5		AM/FM-IF/MPX block VCC
5	FM-MIX output	2.4	2.2		Rout = 270 Ω
6	GND1	0	0		AM/FM-IF/MPX block ground
7	IF buffer output and mute switch	4.5	4.5		V7 ≥ 1.3 V : IF buffer output and muting on


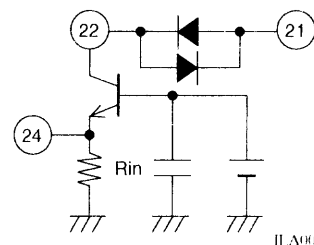
LA1823

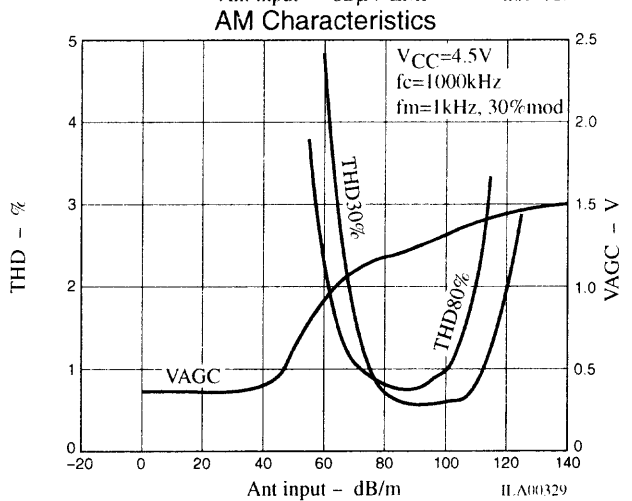
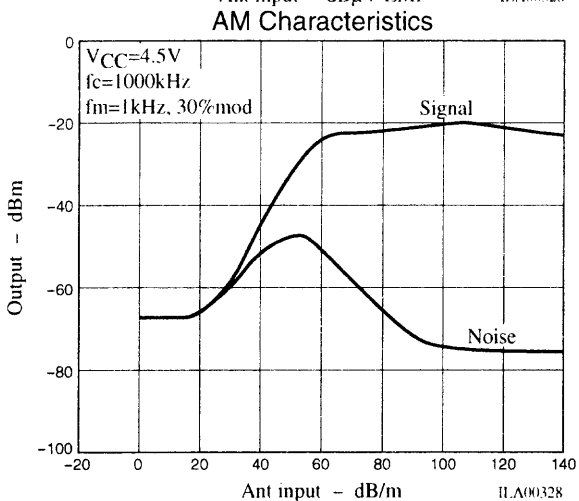
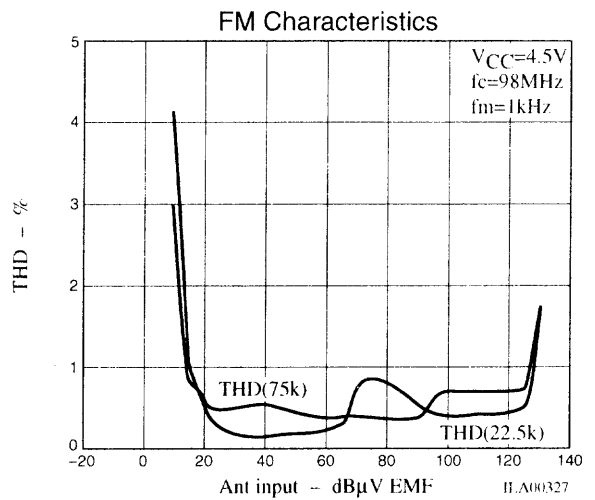
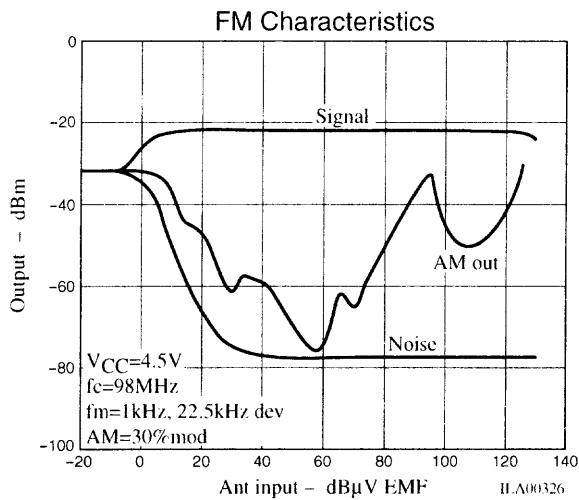
Pin number	Function	Quiescent voltage (V)		Equivalent circuit	Remarks
		AM	FM		
8	Stereo indicator, AM-oscillator buffer output	4.5	4.5	 II.A00312	Active-low Open-collector output AM oscillator signal is output in AM mode
9	AM-MIX output	4.5	4.5	 II.A00313	Connect the AM mixer coil between this pin and pin 4 (VCC1)
10	FM-IF input	1.2	1.2	 II.A00314	$R_{in} = 330 \Omega$
11	AM-IF input	1.2	1.2	 II.A00315	$R_{in} = 2 \text{ k}\Omega$
12	AM-AGC output and FM signal meter output	0.4	0.1	 II.A00316	Internal load resistance $R = 16.6 \text{ k}\Omega$
13	FM-DET	3.9	3.7	 II.A00317	Recommended ceramic discriminator : CDF107F-AE-029 (Toko) CDA10.7MG** (Murata)

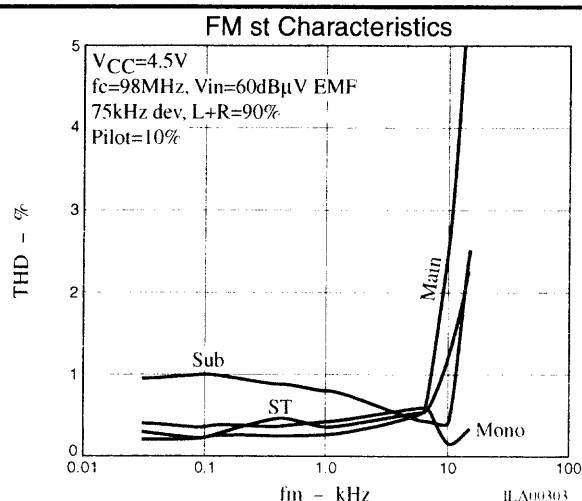
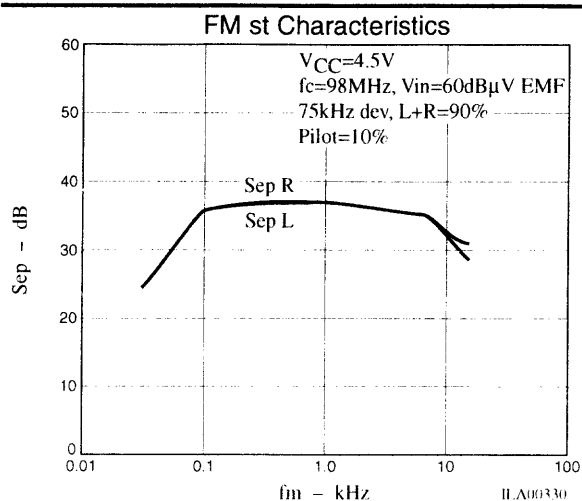
LA1823

Pin number	Function	Quiescent voltage (V)		Equivalent circuit	Remarks
		AM	FM		
14	Pilot detector filter (forced mono)	2.9	3.8	 <p style="text-align: right;">II.A00318</p>	Forced monaural mode when pin 14 is connected to ground
15	Phase comparator filter (AM/FM switch)	0	3.8	 <p style="text-align: right;">II.A00319</p>	FM mode is when pin 15 is open, and AM mode is when pin 15 is connected to ground
16 17	L output R output	1.2	1.2	 <p style="text-align: right;">II.A00320</p>	$R_{out} = 7.5 \text{ k}\Omega$
18	MPX input	1.2	1.2	 <p style="text-align: right;">II.A00321</p>	$R_{in} = 50 \text{ k}\Omega$
19	AM/FM detector output	0.3	1.0	 <p style="text-align: right;">II.A00322</p>	Output impedance AM : $R_{out} = 50 \text{ k}\Omega$ FM : $R_{out} = 500 \Omega$ The channel separation can be adjusted with an external capacitor connected between this pin and ground
20	FM-OSC	4.5	4.4	 <p style="text-align: right;">II.A00323</p>	Connect the FM oscillator coil between this pin and pin 21 (VCC2)

LA1823

Pin number	Function	Quiescent voltage (V)		Equivalent circuit	Remarks
		AM	FM		
21	VCC2	4.5	4.4	 II.A00324	FM-FE block VCC Power is supplied from pin 4 (VCC1) via external resistor (10 Ω)
22	FM-RF output	4.5	4.4	 II.A00325	Connect the FM-RF coil between this pin and pin 21 (VCC2) Rin = 1.8 kΩ
24	FM-RF input	0	0.9		
23	GND2	0	0		FM-FE block ground





- Specifications of any and all SANYO products described or contained herein stipulate the performance, characteristics, and functions of the described products in the independent state, and are not guarantees of the performance, characteristics, and functions of the described products as mounted in the customer's products or equipment. To verify symptoms and states that cannot be evaluated in an independent device, the customer should always evaluate and test devices mounted in the customer's products or equipment.
- SANYO Electric Co., Ltd. strives to supply high-quality high-reliability products. However, any and all semiconductor products fail with some probability. It is possible that these probabilistic failures could give rise to accidents or events that could endanger human lives, that could give rise to smoke or fire, or that could cause damage to other property. When designing equipment, adopt safety measures so that these kinds of accidents or events cannot occur. Such measures include but are not limited to protective circuits and error prevention circuits for safe design, redundant design, and structural design.
- In the event that any or all SANYO products (including technical data, services) described or contained herein are controlled under any of applicable local export control laws and regulations, such products must not be exported without obtaining the export license from the authorities concerned in accordance with the above law.
- No part of this publication may be reproduced or transmitted in any form or by any means, electronic or mechanical, including photocopying and recording, or any information storage or retrieval system, or otherwise, without the prior written permission of SANYO Electric Co., Ltd.
- Any and all information described or contained herein are subject to change without notice due to product/technology improvement, etc. When designing equipment, refer to the "Delivery Specification" for the SANYO product that you intend to use.
- Information (including circuit diagrams and circuit parameters) herein is for example only; it is not guaranteed for volume production. SANYO believes information herein is accurate and reliable, but no guarantees are made or implied regarding its use or any infringements of intellectual property rights or other rights of third parties.

This catalog provides information as of January, 2001. Specifications and information herein are subject to change without notice.