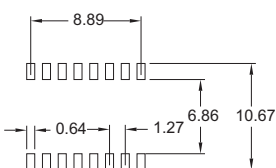
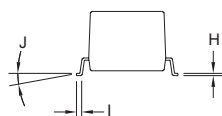
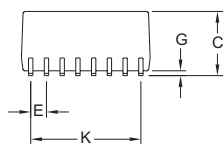
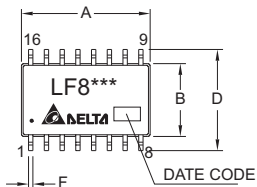


ELECTRICAL CHARACTERISTICS @25°C

Rise Time & Fall Time @5.0ns (Max), Hi-Pot Test @1500Vrms, 60Sec. OCL @8mA DC Bias 350uH (Min)														
Model	Insertion Loss (dB Max)	Return Loss (dB Min)				Cross Talk (dB Min)				Com. To Com. Rejection Ratio (dB Min)		Diff. To Com. Mode Rejection (dB Min)		Turns Ratio TX/RX (±5%)
		1~100	1~30	30~60	60~80	1	30	60	100	1~60	60~100	1~60	60~100	
		MHz	MHz			MHz				MHz		MHz		
LF8275	-1.0	-18	-14	-12	-65	-55	-45	-35	-40	-30	-40	-30	1:1 / 1:1	
LF8504	-1.0	-18	-14	-12	-65	-55	-45	-35	-40	-30	-40	-30	2:1 / 1:1	
LF8505	-1.0	-18	-14	-12	-65	-55	-45	-35	-40	-30	-40	-30	1:1 / 1:1	
LF8508	-1.0	-18	-14	-12	-65	-55	-45	-35	-40	-30	-40	-30	1:1.414 / 1:1	
LF8643	-1.0	-18	-14	-12	-65	-55	-45	-35	-40	-30	-40	-30	1:1 / 1:1	

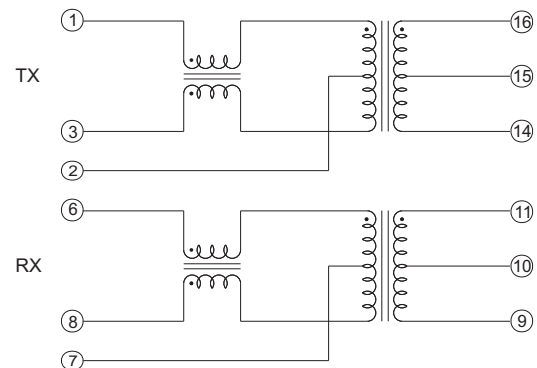
MECHANICAL CONSTRUCTION



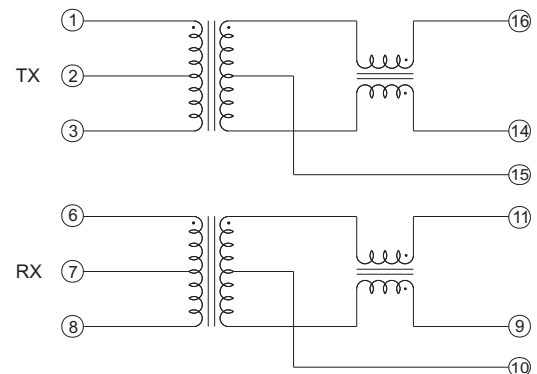
UNIT : mm / inch
 A = 11.60±0.254 / 0.457±0.010
 B = 6.70±0.254 / 0.264±0.010
 C = 5.45±0.254 / 0.215±0.010
 D = 9.14±0.254 / 0.360±0.010
 E = 1.27 / 0.050 (TYP)
 F = 0.46±0.127 / 0.018±0.005
 G = 0.254±0.127 / 0.010±0.005
 H = 0.254 / 0.010 (TYP)
 I = 0.38~1.27 / 0.015~0.050
 J = 0° ~ 8°
 K = 8.89 / 0.350 (TYP)

SCHEMATICS

LF8275



LF8504, LF8505, LF8508



SCHEMATICS

LF8643

