



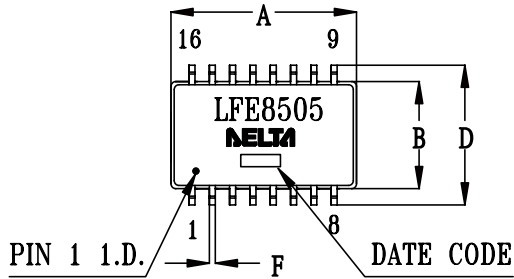
# SPECIFICATION FOR APPROVAL

CUSTOMER PART NO.:  
 DELTA PART NO.: LFE8505  
 PART NAME: Lan filter

REV.: D

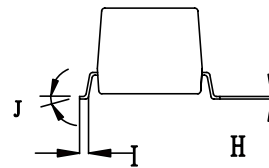
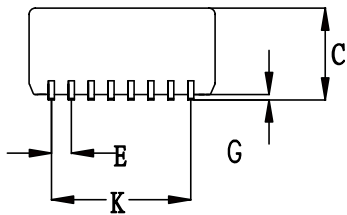


## 1. MECHANICAL DIMENSIONS :

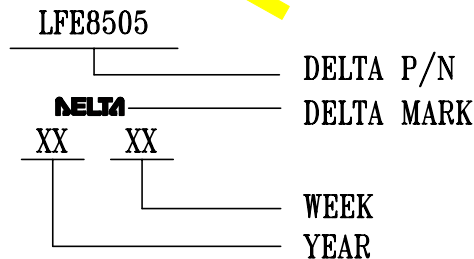


UNIT:mm/inch

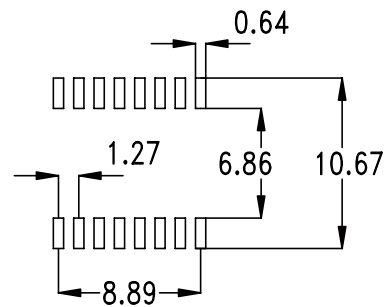
- A=12.90±0.254/0.508±0.010
- B=7.10±0.254/0.279±0.010
- C=5.95±0.254/0.234±0.010
- D=9.45±0.254/0.372±0.010
- E=1.27±0.127/0.050±0.005
- F=0.46±0.127/0.018±0.005
- G=0.254±0.127/0.010±0.005
- H=0.254±0.127/0.010±0.005
- I=0.38~1.27/0.015~0.050
- J=0°~8°
- K=8.89±0.127/0.350±0.005



## 2. MARKING AND RECOMMENDED PCB LAYOUT :



\*LASER MARKING\*



SUGGESTED PCB LAYOUT

\* This specification is the proprietary of Delta Electronics, Inc.

\* This specification is only for preliminary review. If formal specification is required, please contact with our local Sales office or Rep.



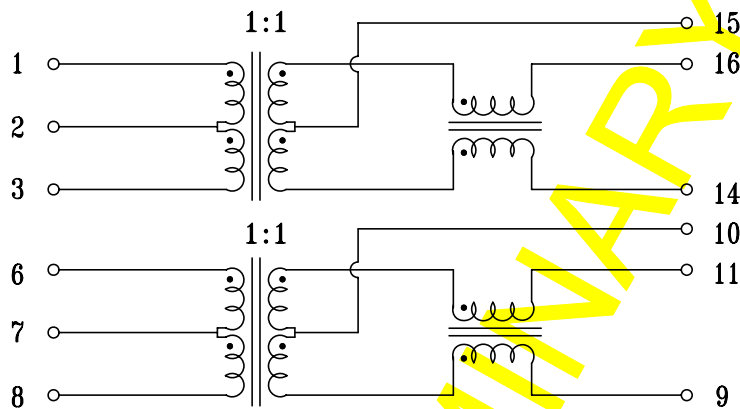
# SPECIFICATION FOR APPROVAL

CUSTOMER PART NO.:  
DELTA PART NO.: LFE8505  
PART NAME: Lan filter

REV.: D



### 3. CIRCUIT SCHEMATIC:



\* This specification is the proprietary of Delta Electronics, Inc.

\* This specification is only for preliminary review. If formal specification is required, please contact with our local Sales office or Rep.



# SPECIFICATION FOR APPROVAL

CUSTOMER PART NO.:  
DELTA PART NO.: LFE8505  
PART NAME: Lan filter

REV.: D



## 4. ELECTRICAL CHARACTERISTICS (TEMP: 25°C, HUM: 65% RH)

4.1 INSERTION LOSS: (TX & RX)  
1-100MHz -1.0dB MAX.

4.2 RETURN LOSS: (TX & RX)  
2-30MHz -18dB MIN.  
40MHz -17dB MIN.  
50MHz -14.5dB MIN.  
60-80MHz -12dB MIN.

4.3 CROSS TALK:  
1-100MHz -30dB MIN.

4.4 COMMON MODE REJECTION: (TX & RX)  
1-100MHz -30dB MIN

4.5 TURNS RATIO: @100KHz  
TX= 1:1±5%  
RX= 1:1±5%

4.6 INDUCTANCE: @100KHz,0.1V 8mA DC BIAS  
(1-3),(6-8): 350uH MIN.

4.7 HI-POT TEST: @60Hz  
(PRI TO SEC) : 1500Vrms,60SEC

- \* RoHS compliant
- \* SOLDER WIRE SAC 305 Sn 96.5/Ag 3.0/Cu 0.5
- \* STORAGE TEMPERATURE RANGE: -40°C~85°C
- \* OPERATE TEMPERATURE RANGE: 0~70°C

\* This specification is the proprietary of Delta Electronics, Inc.

\* This specification is only for preliminary review. If formal specification is required, please contact with our local Sales office or Rep.