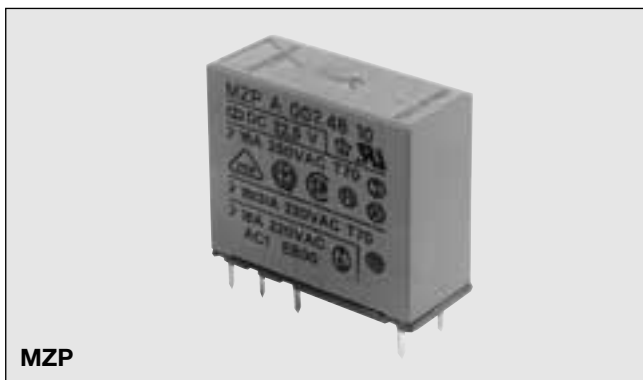


Miniature Relays Series M

Type MZ 1 pole 16A

Monostable

CARLO GAVAZZI



- Miniature size
- PCB mounting
- Reinforced insulation 4 kV / 8 mm
- Switching capacity 16 A
- DC coils 1.53 to 160 VDC
- AC coils 4.8 to 264 VAC
- General purpose, industrial electronics
- Types: Standard, flux-free or sealed
- Switching AC/DC load

Product Description

Sealing

P: Standard, suitable for soldering and manual washing.
F: Flux-free, suitable for automatic soldering and partial immersion or spray washing.

H: Sealed with inert gas according to IP 67, suitable for automatic soldering and/or partial immersion or spray washing.

For **General data**, notes and special versions see page 48

Ordering Key

MZ P A 100 47 16

Type _____
 Sealing _____
 Version (A = Standard) _____
 Contact code _____
 Coil reference number _____
 Contact rating _____

Version

A= 5.0 mm / Ag CdO (standard)
 C= 5.0 mm / hard gold plated
 D= 5.0 mm / flash gilded
 S= 5.0 mm / Ag Sn O₂
 Available only on request Ag Ni

Type Selection

Contact configuration	Contact rating	Contact code
1 normally open contact (SPST -NO {1-form A})	16 A	100
1 normally closed contact (SPST -NC {1-form B})	16 A	010
1 change over contact (SPDT {1-form C})	16 A	001

Coil Characteristics DC (20°C)

Coil ref. no.	Rated Voltage VDC	Winding resistance Ω	± %	Operating range		Must release VDC
				min. VDC	Max. VDC	
40	2.5	11	10	1.53	3.50	≥ 5% of rated voltage
41	4.1	30	10	2.55	5.75	
42	5.6	55	10	3.48	7.80	
43	8.0	110	10	5.01	11.00	
44	10.0	170	10	6.17	13.70	
45	12.5	280	10	7.80	17.60	
46	16.0	450	10	9.98	22.50	
47	20.5	720	15	12.60	28.60	
48	22.5	860	15	13.90	30.80	
49	26.0	1150	15	16.00	35.70	
50	32.5	1750	15	20.30	44.00	
51	40.5	2700	15	25.20	55.00	
52	51.5	4300	15	32.30	69.30	
53	64.5	6450	15	40.10	84.70	
54	83.0	9900	15	51.90	104.00	
55	95.0	12550	15	59.40	117.00	
56	109.0	16200	15	67.90	136.00	
57	125.0	23500	15	78.10	160.00	

Coil Characteristics AC (20°C)

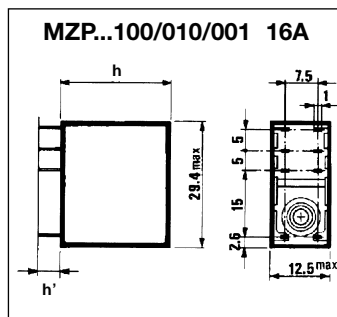
Coil ref. no.	Rated Voltage VAC	Winding resistance Ω	resistance $\pm \%$	Operating range		Must release VAC	Rated Current (mA)		Inductance H
				min. VAC	Max. VAC		50Hz	60Hz	
90	6	12	10	4.8	6.6	≥ 15% of rated voltage	270.0	237.0	0.059
91	12	56	10	9.6	13.2		119.0	104.0	0.267
92	24	230	10	19.2	26.4		57.0	50.0	1.123
93	48	870	15	38.4	52.8		30.5	26.7	4.170
94	60	1500	15	48.0	66.0		23.8	21.0	6.450
95	110	5300	15	88.0	129.0		12.3	10.8	22.400
96	220	20000	15	176.0	242.0		5.9	5.2	100.200
97	240	25000	15	192.0	264.0		5.7	5.0	107.800

Contact Characteristics

Rating	16 A	Power Max. switching power with resistive load in AC ³⁾ Max. switching power in DC Minimum switching current ²⁾ (Typical value)	4000 VA see diagram 3 100mA at 24VDC
Material (standard version) ²⁾	AgCdO		
Current (at 250VAC) Rated current Max. switching current Overload current (4sec ON / 40sec OFF cycle)	16 A 20 A 25 A	Life (see diagram 1) Typical electrical life at max. resistive load 1000 cycles/h 500 cycles/h Max. electrical repetition rate Mech. life at 18000 cycles/h	10⁵ cycles 1.5 x 10⁵ cycles 3600 cycles/h 50 x 10⁵ cycles
Voltage Rated voltage Max. switching voltage (VDE 0435)	250 VAC 380 VAC		

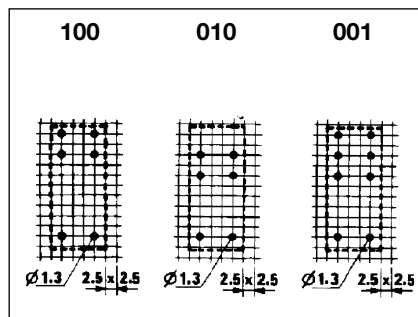
²⁾³⁾ See pag. 48

Dimensions



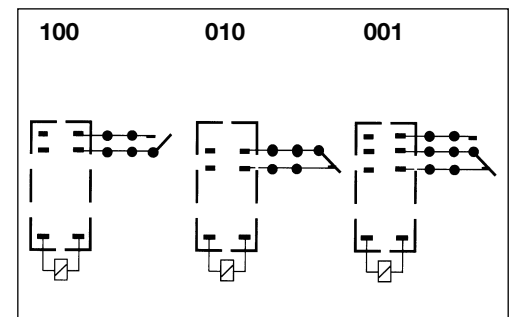
MZP: h = 25,2 mm
h' = 4,3 - 5,3 mm

Pin View



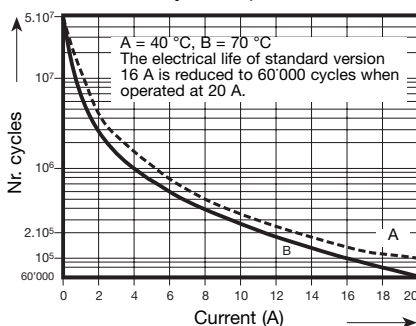
MZF/MZH: h = 26.5 mm
h' = 2.8 - 3.8 mm

Wiring Diagrams

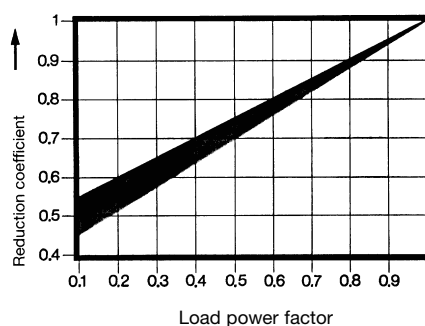


Diagrams

1 Expected life at 250 VAC
(Resistive loads and repetition rate 1000 cycles/h)



2 Reduction of expected life against load power factor cos ϕ



3 Max. switching power DC

