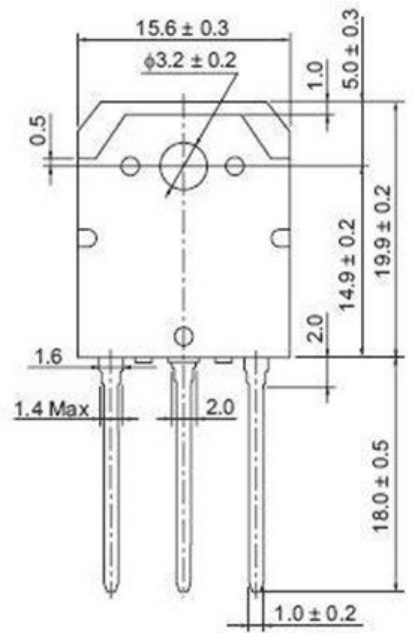
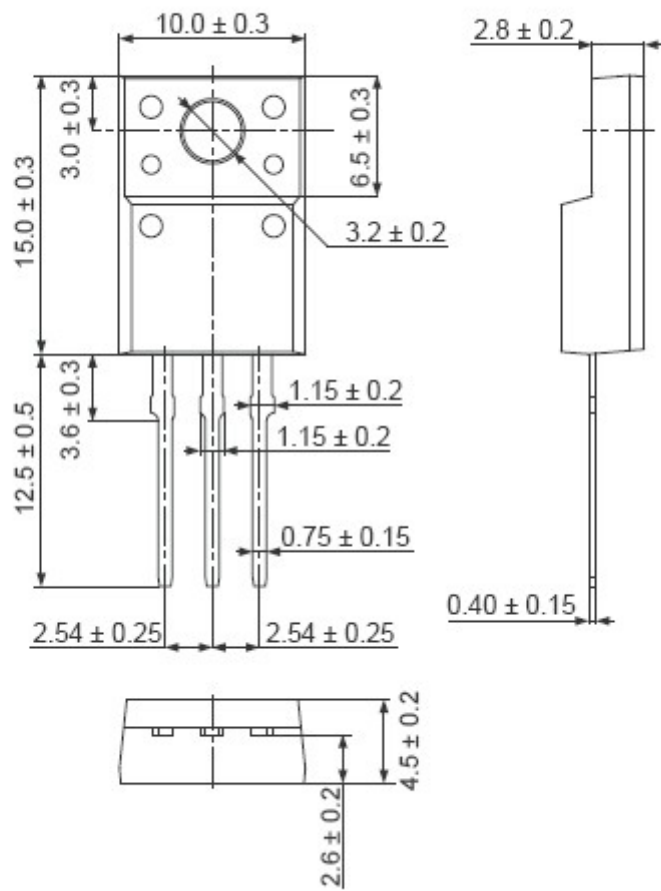


- 1. Gate
- 2. Collector
- 3. Emitter
- 4. Collector (Flange)





Plasma Display Panel (Build in Diode)

Package	Part No.	Ratings			Characteristics		
		V _{CE(s)} (V)	I _C (A)	I _{C(peak)} (A)	V _{CE(sat)} (V) typ	t _r (μs) typ	t _{rr} (μs) typ
TO-3P	RJH3077DPK	330	50	200	1.6	0.16	0.1
(Co-pack)	RJH3047DPK	330	50	250	1.5	0.15	0.06