



## SINGLE PHASE BRIDGE RECTIFIER

**RS201 THRU RS207  
KBP005 THRU KBP10**

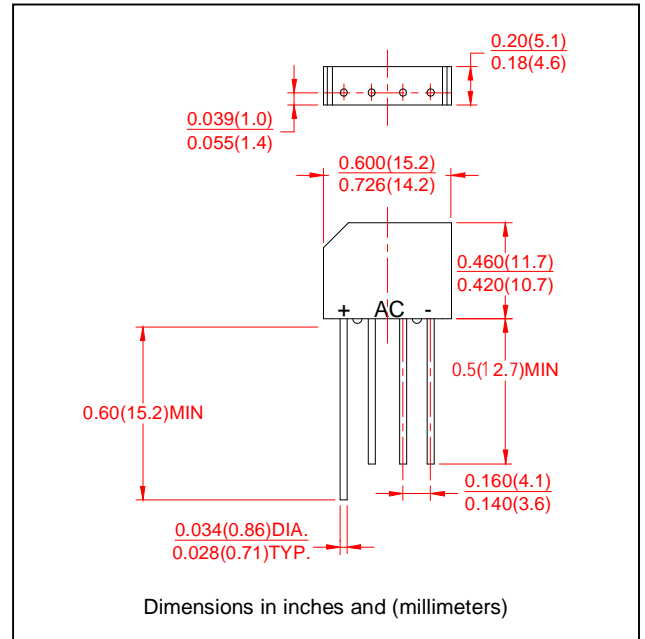
VOLTAGE RANGE	50 to 1000 Volts
CURRENT	2.0 Ampere

### FEATURES

- Low cost
- This series in UL recognized under component index, file number E127707
- High forward surge current capacity
- Ideal for printed circuit board
- High temperature soldering guaranteed: 260°C / 10 seconds, 0.375" (9.5mm) lead length at 5 lbs. (2.3kg) tension.

### MECHANICAL DATA

- Case: Transfer molded plastic
- Terminal: Lead solderable per MIL-STD-202E method 208C
- Polarity: Polarity symbols marked on case
- Mounting position: Any.
- Weight: 0.069 ounce, 1.95gram



### MAXIMUM RATINGS AND ELECTRICAL CHARACTERISTICS

- Ratings at 25°C ambient temperature unless otherwise specified
- Single Phase, half wave, 60Hz, resistive or inductive load
- For capacitive load derate current by 20%

	SYMBOLS	RS201 KBP005	RS202 KBP01	RS203 KBP02	RS204 KBP04	RS205 KBP06	RS206 KBP08	RS207 KBP10	UNIT
Maximum Repetitive Peak Reverse Voltage	$V_{RRM}$	50	100	200	400	600	800	1000	Volts
Maximum RMS Voltage	$V_{RMS}$	35	70	140	280	420	560	700	Volts
Maximum DC Blocking Voltage	$V_{DC}$	50	100	200	400	600	800	1000	Volts
Maximum Average Forward Rectified Output Current, at $T_A=50^\circ\text{C}$ (Note2)	$I_{(AV)}$	2.0							Amps
Peak Forward Surge Current 8.3mS single half sine wave superimposed on rated load (JEDEC method)	$I_{FSM}$	50							Amps
Rating for Fusing ( $t < 8.3\text{mS}$ )	$I^2t$	10							$\text{A}^2\text{s}$
Maximum Instantaneous Forward Voltage Drop per Bridge element at 1.0 A	$V_F$	1.0							Volts
Maximum DC Reverse Current at Rated DC Blocking Voltage per element	$T_A = 25^\circ\text{C}$	10							$\mu\text{A}$
	$T_A = 100^\circ\text{C}$	0.5							mA
Typical Junction Resistance per element(Note1)	$C_j$	20							Volts
Typical Thermal Resistance per element (Note2)	$R_{\theta JA}$	28							$^\circ\text{C}/\text{W}$
Operating and Storage Temperature Rang	$T_{STG} \cdot T_J$	-55 to +150							$^\circ\text{C}$

### Notes:

1. Measured at 1.0 MHz and applied reverse voltage of 4.0 Volts.
2. Unit mounted on P.C.board with 0.47"x0.47"(12x12cm) copper pads.0.375"(9.5mm) lead length.



## SINGLE PHASE BRIDGE RECTIFIER

**RS201 THRU RS207**  
**KBP005 THRU KBP10**

VOLTAGE RANGE	50 to 1000 Volts
CURRENT	2.0 Ampere

### RATINGS AND CHARACTERISTIC CURVES RS201 THRU RS207

