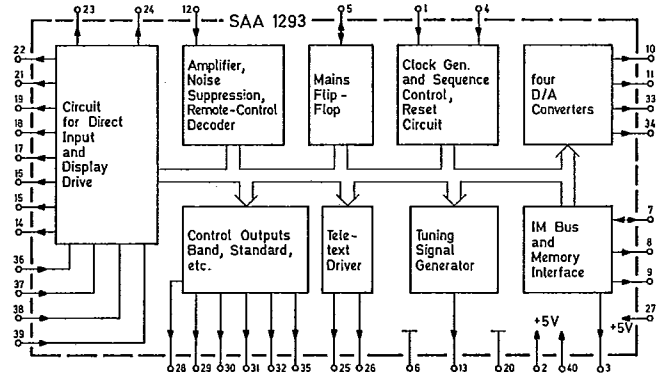


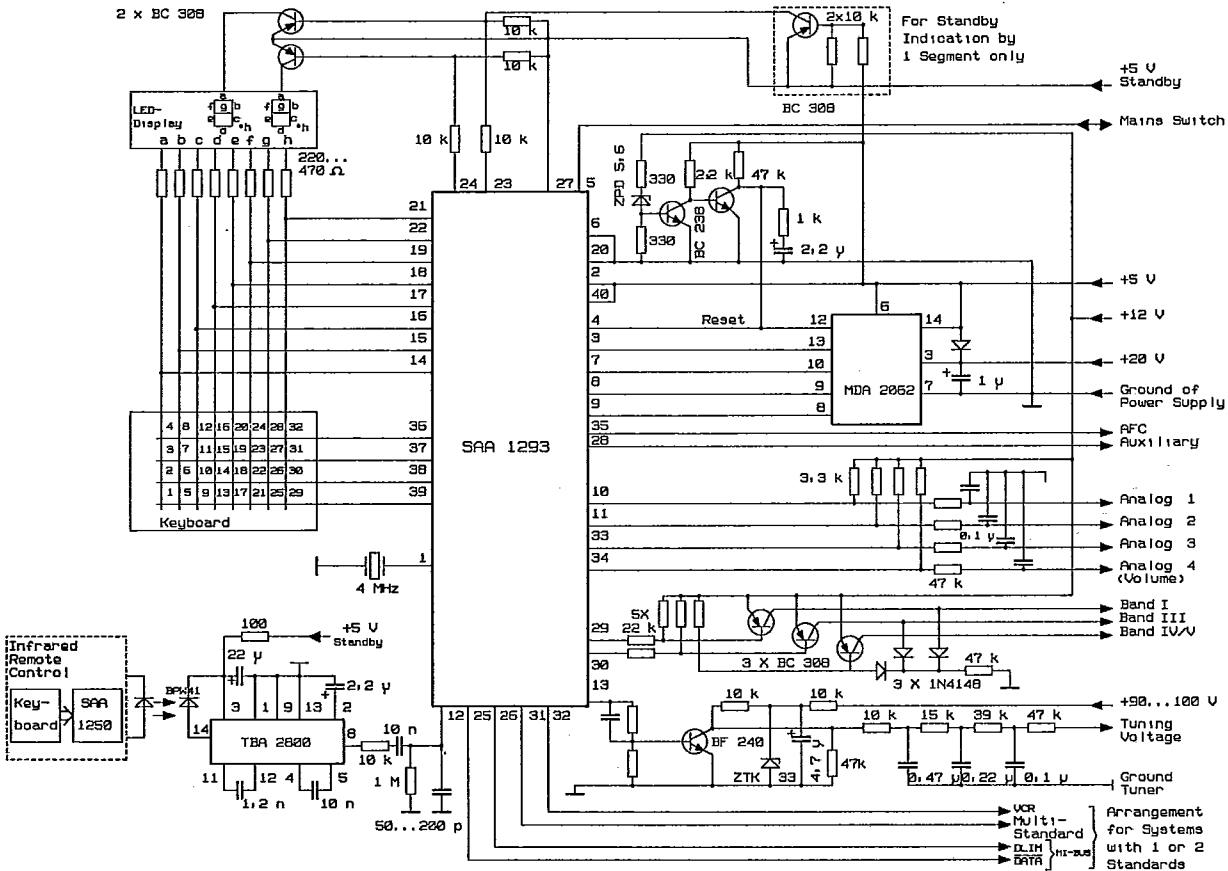
SAA1293 Remote-Control and Tuning Microcomputer for TV Receivers (40-Pin Plastic Package)

The SAA1293 is a microcomputer in N-channel MOS technology. On one silicon chip, it contains all the operating and tuning functions of a modern TV receiver. Thus, along with the MDA2062 non-volatile memory, the SAA1250 or IRT1250 remote-control transmitter and the TBA2800 preamplifier this offers a very economic solution for TV receivers with a low or average degree of operating comfort in which station selection is by voltage synthesis. Features of the SAA1293 are:

- tuning voltage generation with rate multiplier, therefore no additional hardware costs and no audio interference problems
- four analog outputs for volume, brightness etc.
- storage of up to 39 stations
- four-way multi-standard switch
- flexible processing due to options set by the equipment manufacturer. Thus a large product range of TV receivers can have the same SAA1293 control microcomputer
- direct interfacing with the SAA5000 family for Teletext
- remote control of all functions, including tuning and Teletext
- full two-digit station display
- keyboard with up to 32 keys for direct operation
- various intelligent tuning methods allow free selection of the station location during tuning
- standby mode with automatic mains-on when a station is selected
- special "audio/video" mode
- VCR switch output which can be set and stored for a specific station location
- flexible logic for fading in and out of sound and picture while a station is being changed
- bandswitch outputs for three bands
- band indication on the display, no separate indication needed
- fine or normal tuning at four speeds using the remote control
- "service" mode for easy setting up and servicing



Functional Block Diagram of the SAA1293



Application Circuit of the SAA1293