

## SNx4HC573A Octal Transparent D-Type Latches With 3-State Outputs

### 1 Features

- Wide Operating Voltage Range from 2 V to 6 V
- High-Current 3-State Outputs Drive Bus Lines Directly up to 15 LSTTL Loads
- Low Power Consumption: 80- $\mu$ A Maximum  $I_{CC}$
- Typical  $t_{pd} = 21$  ns
- $\pm 6$ -mA Output Drive at 5 V
- Low Input Current: 1  $\mu$ A (Maximum)
- Bus-Structured Pinout

### 2 Applications

- Buffer Registers
- Bidirectional Bus Drivers
- Working Registers

### 3 Description

The SNx4HC573A devices are octal transparent D-type latches that feature 3-state outputs designed specifically for driving highly capacitive or relatively low-impedance loads. They are particularly suitable for implementing buffer registers, I/O ports, bidirectional bus drivers, and working registers.

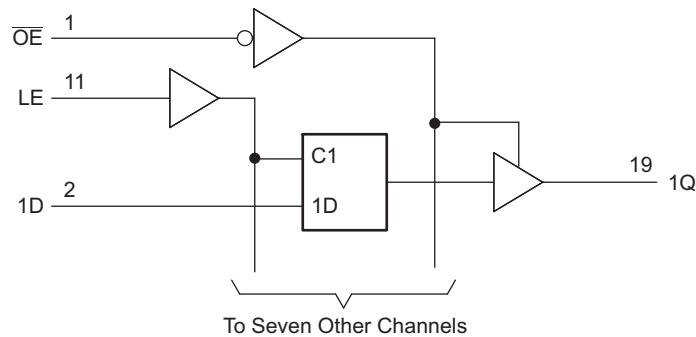
While the latch-enable (LE) input is high, the Q outputs respond to the data (D) inputs. When LE is low, the outputs are latched to retain the data that was set up.

#### Device Information<sup>(1)</sup>

PART NUMBER	PACKAGE	BODY SIZE (NOM)
SN54HC573AJ	CDIP (20)	26.92 mm x 6.92 mm
SN54HC573AW	CFP (20)	13.72 mm x 6.92 mm
SN54HC573AFK	LCCC (20)	8.89 mm x 8.89 mm
SN74HC573AN	PDIP (20)	25.40 mm x 6.35 mm
SN74HC573ADW	SOIC (20)	12.80 mm x 7.50 mm
SN74HC573ADB	SSOP (20)	7.20 mm x 5.30 mm
SN74HC573APW	TSSOP (20)	5.00 mm x 4.40 mm

(1) For all available packages, see the orderable addendum at the end of the data sheet.

#### Logic Diagram (Positive Logic)



Copyright © 2016, Texas Instruments Incorporated



An IMPORTANT NOTICE at the end of this data sheet addresses availability, warranty, changes, use in safety-critical applications, intellectual property matters and other important disclaimers. PRODUCTION DATA.

On products compliant to MIL-PRF-38535, all parameters are tested unless otherwise noted. On all other products, production processing does not necessarily include testing of all parameters.

## Table of Contents

<b>1 Features</b> .....	<b>1</b>	8.3 Feature Description .....	<b>10</b>
<b>2 Applications</b> .....	<b>1</b>	8.4 Device Functional Modes .....	<b>10</b>
<b>3 Description</b> .....	<b>1</b>	<b>9 Application and Implementation</b> .....	<b>11</b>
<b>4 Revision History</b> .....	<b>2</b>	9.1 Application Information .....	<b>11</b>
<b>5 Pin Configuration and Functions</b> .....	<b>3</b>	9.2 Typical Application .....	<b>11</b>
<b>6 Specifications</b> .....	<b>4</b>	<b>10 Power Supply Recommendations</b> .....	<b>12</b>
6.1 Absolute Maximum Ratings .....	<b>4</b>	<b>11 Layout</b> .....	<b>12</b>
6.2 ESD Ratings .....	<b>4</b>	11.1 Layout Guidelines .....	<b>12</b>
6.3 Recommended Operating Conditions .....	<b>4</b>	11.2 Layout Example .....	<b>12</b>
6.4 Thermal Information .....	<b>5</b>	<b>12 Device and Documentation Support</b> .....	<b>13</b>
6.5 Electrical Characteristics .....	<b>5</b>	12.1 Documentation Support .....	<b>13</b>
6.6 Timing Requirements .....	<b>6</b>	12.2 Related Links .....	<b>13</b>
6.7 Switching Characteristics .....	<b>6</b>	12.3 Receiving Notification of Documentation Updates .....	<b>13</b>
6.8 Typical Characteristics .....	<b>8</b>	12.4 Community Resources .....	<b>13</b>
<b>7 Parameter Measurement Information</b> .....	<b>9</b>	12.5 Trademarks .....	<b>13</b>
<b>8 Detailed Description</b> .....	<b>10</b>	12.6 Electrostatic Discharge Caution .....	<b>13</b>
8.1 Overview .....	<b>10</b>	12.7 Glossary .....	<b>13</b>
8.2 Functional Block Diagram .....	<b>10</b>	<b>13 Mechanical, Packaging, and Orderable Information</b> .....	<b>13</b>

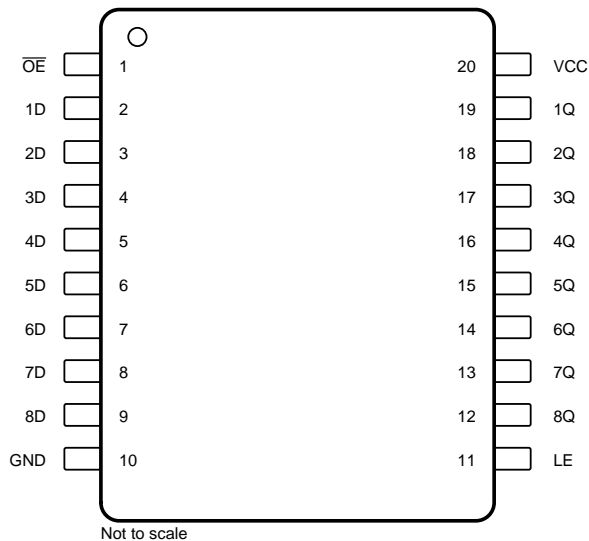
## 4 Revision History

NOTE: Page numbers for previous revisions may differ from page numbers in the current version.

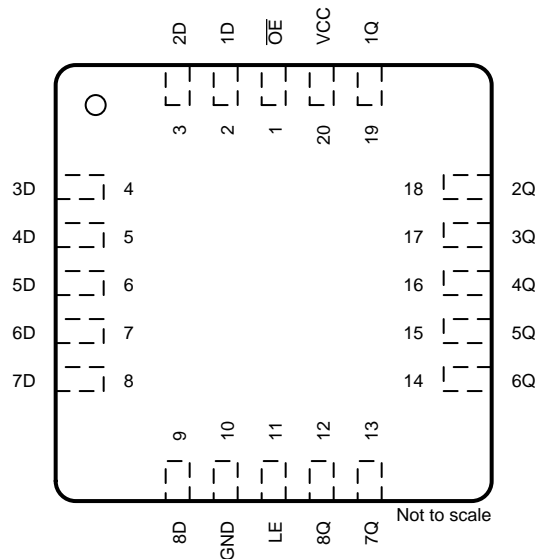
<b>Changes from Revision E (September 2003) to Revision F</b>	<b>Page</b>
• Added <i>ESD Ratings</i> table, <i>Feature Description</i> section, <i>Device Functional Modes</i> , <i>Application and Implementation</i> section, <i>Power Supply Recommendations</i> section, <i>Layout</i> section, <i>Device and Documentation Support</i> section, and <i>Mechanical, Packaging, and Orderable Information</i> section .....	<b>1</b>
• Deleted Ordering Information table; see POA at the end of the data sheet .....	<b>1</b>
• Changed Package thermal impedance, $R_{\theta JA}$ , values from 70 to 92.5 (DB), from 58 to 78.3 (DW), from 69 to 49.1 (N), and from 83 to 101.1 (PW) .....	<b>5</b>

## 5 Pin Configuration and Functions

**DB, DW, J, N, PW, or W Packages**  
**20-Pin SSOP, SOIC, CDIP, PDIP, TSSOP, or CFP**  
**Top View**



**FK Package**  
**20-Pin LCCC**  
**Top View**



### Pin Functions

PIN		I/O	DESCRIPTION
NO.	NAME		
1	$\overline{OE}$	I	Output enable
2	1D	I	1D input
3	2D	I	2D input
4	3D	I	3D input
5	4D	I	4D input
6	5D	I	5D input
7	6D	I	6D input
8	7D	I	7D input
9	8D	I	8D input
10	GND	—	Ground
11	LE	I	Latch enable input
12	8Q	O	8Q output
13	7Q	O	7Q output
14	6Q	O	6Q output
15	5Q	O	5Q output
16	4Q	O	4Q output
17	3Q	O	3Q output
18	2Q	O	2Q output
19	1Q	O	1Q output
20	V <sub>CC</sub>	—	Power pin

## 6 Specifications

### 6.1 Absolute Maximum Ratings

 over operating free-air temperature range (unless otherwise noted)<sup>(1)</sup>

			MIN	MAX	UNIT
$V_{CC}$	Supply voltage		-0.5	7	V
$I_{IK}$	Input clamp current <sup>(2)</sup>	$V_I < 0$ or $V_I > V_{CC}$		$\pm 20$	mA
$I_{OK}$	Output clamp current <sup>(2)</sup>	$V_O < 0$ or $V_O > V_{CC}$		$\pm 20$	mA
$I_O$	Continuous output current	$V_O = 0$ to $V_{CC}$		$\pm 35$	mA
	Continuous current through $V_{CC}$ or GND			$\pm 70$	mA
$T_J$	Junction temperature			150	°C
$T_{stg}$	Storage temperature		-65	150	°C

- (1) Stresses beyond those listed under *Absolute Maximum Ratings* may cause permanent damage to the device. These are stress ratings only, which do not imply functional operation of the device at these or any other conditions beyond those indicated under *Recommended Operating Conditions*. Exposure to absolute-maximum-rated conditions for extended periods may affect device reliability.
- (2) The input and output voltage ratings may be exceeded if the input and output current ratings are observed.

### 6.2 ESD Ratings

			VALUE	UNIT
$V_{(ESD)}$	Electrostatic discharge	Human-body model (HBM), per ANSI/ESDA/JEDEC JS-001 <sup>(1)</sup>	$\pm 3500$	V
		Charged-device model (CDM), per JEDEC specification JESD22-C101 <sup>(2)</sup>	$\pm 1000$	

- (1) JEDEC document JEP155 states that 500-V HBM allows safe manufacturing with a standard ESD control process.
- (2) JEDEC document JEP157 states that 250-V CDM allows safe manufacturing with a standard ESD control process.

### 6.3 Recommended Operating Conditions

 over operating free-air temperature range (unless otherwise noted)<sup>(1)</sup>

			MIN	NOM	MAX	UNIT
$V_{CC}$	Supply voltage		2	5	6	V
$V_{IH}$	High-level input voltage	$V_{CC} = 2$ V	1.5			V
		$V_{CC} = 4.5$ V	3.15			
		$V_{CC} = 6$ V	4.2			
$V_{IL}$	Low-level input voltage	$V_{CC} = 2$ V			0.5	V
		$V_{CC} = 4.5$ V			1.35	
		$V_{CC} = 6$ V			1.8	
$V_I$	Input voltage		0		$V_{CC}$	V
$V_O$	Output voltage		0		$V_{CC}$	V
$t_t$	Input transition (rise and fall) time	$V_{CC} = 2$ V			1000	ns
		$V_{CC} = 4.5$ V			500	
		$V_{CC} = 6$ V			400	
$T_A$	Operating free-air temperature	SN54HC573A	-55		125	°C
		SN74HC573A	-40		85	

- (1) All unused inputs of the device must be held at  $V_{CC}$  or GND to ensure proper device operation. See the [Implications of Slow or Floating CMOS Inputs](#) application report (SCBA004).

## 6.4 Thermal Information

THERMAL METRIC <sup>(1)</sup>	SN74HC573A				UNIT
	DB (SSOP)	DW (SOIC)	N (PDIP)	PW (TSSOP)	
	20 PINS	20 PINS	20 PINS	20 PINS	
$R_{\theta JA}$ Junction-to-ambient thermal resistance	92.5	78.3	49.1	101.1	°C/W
$R_{\theta JC(top)}$ Junction-to-case (top) thermal resistance	53.9	42.8	35.9	35.9	°C/W
$R_{\theta JB}$ Junction-to-board thermal resistance	47.6	46.2	30	52	°C/W
$\Psi_{JT}$ Junction-to-top characterization parameter	19.5	18	22.4	2.4	°C/W
$\Psi_{JB}$ Junction-to-board characterization parameter	47.2	45.7	29.9	51.5	°C/W

(1) For more information about traditional and new thermal metrics, see the [Semiconductor and IC Package Thermal Metrics](#) application report.

## 6.5 Electrical Characteristics

over operating free-air temperature range (unless otherwise noted)

PARAMETER	TEST CONDITIONS		MIN	TYP	MAX	UNIT	
$V_{OH}$	$V_I = V_{IH}$ or $V_{IL}$	$I_{OH} = -20 \mu A$	$V_{CC} = 2 V$	1.9	1.998	V	
			$V_{CC} = 4.5 V$	4.4	4.499		
			$V_{CC} = 6 V$	5.9	5.999		
		$I_{OH} = -6 mA, V_{CC} = 4.5 V$	$T_A = 25^\circ C$	3.98	4.3		
			SN54HC573A	3.7			
			SN74HC573A	3.84			
		$I_{OH} = -7.8 mA, V_{CC} = 6 V$	$T_A = 25^\circ C$	5.48	5.8		
			SN54HC573A	5.2			
SN74HC573A	5.34						
$V_{OL}$	$V_I = V_{IH}$ or $V_{IL}$	$I_{OL} = 20 \mu A$	$V_{CC} = 2 V$		0.002	0.1	V
			$V_{CC} = 4.5 V$		0.001	0.1	
			$V_{CC} = 6 V$		0.001	0.1	
		$I_{OL} = 6 mA, V_{CC} = 4.5 V$	$T_A = 25^\circ C$		0.17	0.26	
			SN54HC573A			0.4	
			SN74HC573A			0.33	
		$I_{OL} = 7.8 mA, V_{CC} = 6 V$	$T_A = 25^\circ C$		0.15	0.26	
			SN54HC573A			0.4	
SN74HC573A			0.33				
$I_I$	$V_I = V_{CC}$ or 0, $V_{CC} = 6 V$	$T_A = 25^\circ C$		$\pm 0.1$	$\pm 100$	nA	
		SNx4HC573A			$\pm 1000$		
$I_{OZ}$	$V_O = V_{CC}$ or 0, $V_{CC} = 6 V$	$T_A = 25^\circ C$		$\pm 0.01$	$\pm 0.5$	$\mu A$	
		SN54HC573A			$\pm 10$		
		SN74HC573A			$\pm 5$		
$I_{CC}$	$V_I = V_{CC}$ or 0, $I_O = 0, V_{CC} = 6 V$	$T_A = 25^\circ C$			8	$\mu A$	
		SN54HC573A			160		
		SN74HC573A			80		
$C_i$	$V_{CC} = 2 V$ to $6 V$			3	10	pF	
$C_{pd}$	Power dissipation capacitance per latch	$T_A = 25^\circ C$ , no load		50		pF	

## 6.6 Timing Requirements

over operating free-air temperature range (unless otherwise noted)

			MIN	NOM	MAX	UNIT
$t_w$	$V_{CC} = 2\text{ V}$	$T_A = 25^\circ\text{C}$	80			ns
		SN54HC573A	120			
		SN74HC573A	100			
	$V_{CC} = 4.5\text{ V}$	$T_A = 25^\circ\text{C}$	16			
		SN54HC573A	24			
		SN74HC573A	20			
	$V_{CC} = 6\text{ V}$	$T_A = 25^\circ\text{C}$	14			
		SN54HC573A	20			
		SN74HC573A	17			
$t_{su}$	$V_{CC} = 2\text{ V}$	$T_A = 25^\circ\text{C}$	50			ns
		SN54HC573A	75			
		SN74HC573A	63			
	$V_{CC} = 4.5\text{ V}$	$T_A = 25^\circ\text{C}$	10			
		SN54HC573A	15			
		SN74HC573A	13			
	$V_{CC} = 6\text{ V}$	$T_A = 25^\circ\text{C}$	9			
		SN54HC573A	13			
		SN74HC573A	11			
$t_h$	$V_{CC} = 2\text{ V}$	$T_A = 25^\circ\text{C}$	20			ns
		SNx4HC573A	24			
	$V_{CC} = 4.5\text{ V}$		5			
	$V_{CC} = 6\text{ V}$		5			

## 6.7 Switching Characteristics

 over operating free-air temperature range (unless otherwise noted; see [Figure 2](#))

PARAMETER	TEST CONDITIONS		MIN	TYP	MAX	UNIT	
$t_{pd}$	$C_L = 50\text{ pF}$ , from D (input) to Q (output)	$V_{CC} = 2\text{ V}$	$T_A = 25^\circ\text{C}$	77	175	ns	
			SN54HC573A		265		
			SN74HC573A		220		
		$V_{CC} = 4.5\text{ V}$	$T_A = 25^\circ\text{C}$		26		35
			SN54HC573A				53
			SN74HC573A				44
		$V_{CC} = 6\text{ V}$	$T_A = 25^\circ\text{C}$		23		30
			SN54HC573A				45
			SN74HC573A				38
	$C_L = 50\text{ pF}$ , from LE (input) to any Q (output)	$V_{CC} = 2\text{ V}$	$T_A = 25^\circ\text{C}$		87		175
			SN54HC573A				265
			SN74HC573A				220
		$V_{CC} = 4.5\text{ V}$	$T_A = 25^\circ\text{C}$		27		35
			SN54HC573A				53
			SN74HC573A				44
		$V_{CC} = 6\text{ V}$	$T_A = 25^\circ\text{C}$		23		30
SN54HC573A					45		
SN74HC573A					38		

**Switching Characteristics (continued)**

 over operating free-air temperature range (unless otherwise noted; see [Figure 2](#))

PARAMETER	TEST CONDITIONS			MIN	TYP	MAX	UNIT
$t_{en}$	$C_L = 50 \text{ pF}$ , from $\overline{OE}$ (input) to any Q (output)	$V_{CC} = 2 \text{ V}$	$T_A = 25^\circ\text{C}$	68	150	ns	
			SN54HC573A	225			
			SN74HC573A	190			
		$V_{CC} = 4.5 \text{ V}$	$T_A = 25^\circ\text{C}$	24	30		
			SN54HC573A	45			
			SN74HC573A	38			
		$V_{CC} = 6 \text{ V}$	$T_A = 25^\circ\text{C}$	21	26		
			SN54HC573A	38			
			SN74HC573A	32			
$t_{dis}$	$C_L = 50 \text{ pF}$ , from $\overline{OE}$ (input) to any Q (output)	$V_{CC} = 2 \text{ V}$	$T_A = 25^\circ\text{C}$	47	150	ns	
			SN54HC573A	225			
			SN74HC573A	190			
		$V_{CC} = 4.5 \text{ V}$	$T_A = 25^\circ\text{C}$	23	30		
			SN54HC573A	45			
			SN74HC573A	38			
		$V_{CC} = 6 \text{ V}$	$T_A = 25^\circ\text{C}$	21	26		
			SN54HC573A	38			
			SN74HC573A	32			
$t_t$	$C_L = 50 \text{ pF}$ to any Q (output)	$V_{CC} = 2 \text{ V}$	$T_A = 25^\circ\text{C}$	28	60	ns	
			SN54HC573A	90			
			SN74HC573A	75			
		$V_{CC} = 4.5 \text{ V}$	$T_A = 25^\circ\text{C}$	8	12		
			SN54HC573A	18			
			SN74HC573A	15			
		$V_{CC} = 6 \text{ V}$	$T_A = 25^\circ\text{C}$	6	10		
			SN54HC573A	15			
			SN74HC573A	13			
$t_{pd}$	$C_L = 150 \text{ pF}$ , from D (input) to Q (output)	$V_{CC} = 2 \text{ V}$	$T_A = 25^\circ\text{C}$	95	200	ns	
			SN54HC573A	300			
			SN74HC573A	250			
		$V_{CC} = 4.5 \text{ V}$	$T_A = 25^\circ\text{C}$	33	40		
			SN54HC573A	60			
			SN74HC573A	50			
		$V_{CC} = 6 \text{ V}$	$T_A = 25^\circ\text{C}$	21	34		
			SN54HC573A	51			
			SN74HC573A	43			
	$C_L = 150 \text{ pF}$ , from LE (input) to any Q (output)	$V_{CC} = 2 \text{ V}$	$T_A = 25^\circ\text{C}$	103	225		
			SN54HC573A	335			
			SN74HC573A	285			
		$V_{CC} = 4.5 \text{ V}$	$T_A = 25^\circ\text{C}$	33	45		
			SN54HC573A	67			
			SN74HC573A	57			
$V_{CC} = 6 \text{ V}$	$T_A = 25^\circ\text{C}$	29	40				
	SN54HC573A	60					
	SN74HC573A	50					

### Switching Characteristics (continued)

over operating free-air temperature range (unless otherwise noted; see [Figure 2](#))

PARAMETER	TEST CONDITIONS			MIN	TYP	MAX	UNIT
$t_{en}$	$C_L = 150 \text{ pF}$ , from $\overline{OE}$ (input) to any Q (output)	$V_{CC} = 2 \text{ V}$	$T_A = 25^\circ\text{C}$	85	200	ns	
			SN54HC573A	300			
			SN74HC573A	250			
		$V_{CC} = 4.5 \text{ V}$	$T_A = 25^\circ\text{C}$	29	40		
			SN54HC573A	60			
			SN74HC573A	50			
		$V_{CC} = 6 \text{ V}$	$T_A = 25^\circ\text{C}$	26	34		
			SN54HC573A	51			
			SN74HC573A	43			
$t_t$	$C_L = 150 \text{ pF}$ to any Q (output)	$V_{CC} = 2 \text{ V}$	$T_A = 25^\circ\text{C}$	60	210	ns	
			SN54HC573A	315			
			SN74HC573A	265			
		$V_{CC} = 4.5 \text{ V}$	$T_A = 25^\circ\text{C}$	17	42		
			SN54HC573A	63			
			SN74HC573A	53			
		$V_{CC} = 6 \text{ V}$	$T_A = 25^\circ\text{C}$	14	36		
			SN54HC573A	53			
			SN74HC573A	45			

### 6.8 Typical Characteristics

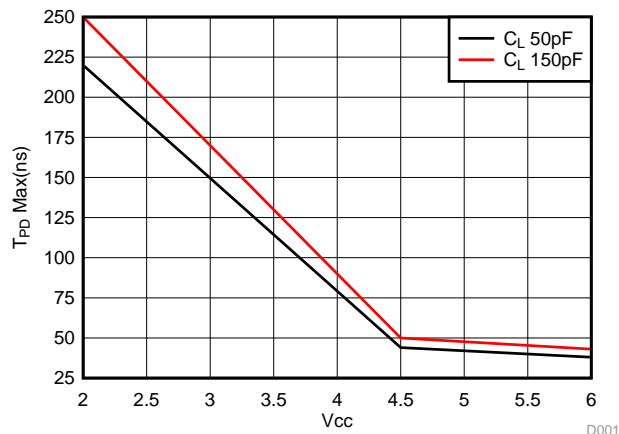
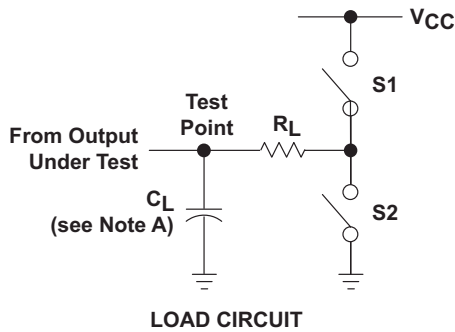


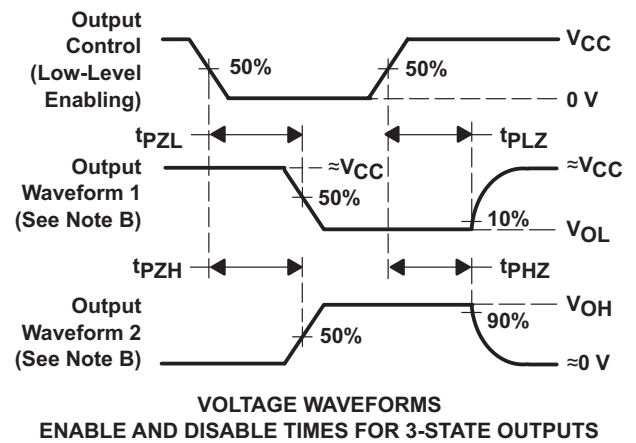
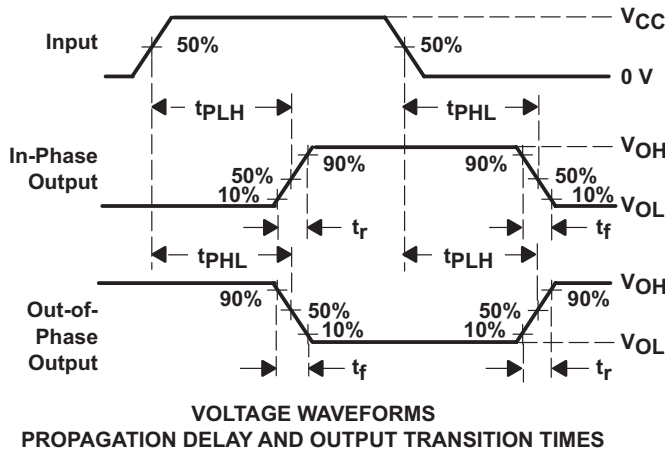
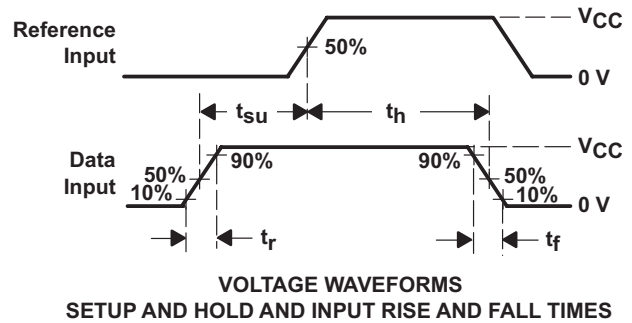
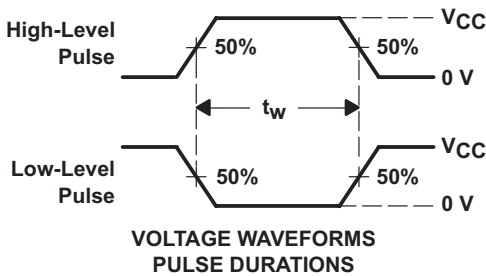
Figure 1. Maximum Propagation Delay Curves



## 7 Parameter Measurement Information



PARAMETER	$R_L$	$C_L$	S1	S2
$t_{en}$	1 k $\Omega$	50 pF or 150 pF	Open	Closed
			Closed	Open
$t_{dis}$	1 k $\Omega$	50 pF	Open	Closed
			Closed	Open
$t_{pd}$ or $t_t$	--	50 pF or 150 pF	Open	Open



- $C_L$  includes probe and test-fixture capacitance.
- Waveform 1 is for an output with internal conditions such that the output is low except when disabled by the output control. Waveform 2 is for an output with internal conditions such that the output is high except when disabled by the output control.
- Phase relationships between waveforms were chosen arbitrarily. All input pulses are supplied by generators having the following characteristics: PRR  $\leq$  1 MHz,  $Z_O = 50 \Omega$ ,  $t_r = 6$  ns,  $t_f = 6$  ns.
- The outputs are measured one at a time with one input transition per measurement.
- $t_{PLZ}$  and  $t_{PHZ}$  are the same as  $t_{dis}$ .
- $t_{PZL}$  and  $t_{PZH}$  are the same as  $t_{en}$ .
- $t_{PLH}$  and  $t_{PHL}$  are the same as  $t_{pd}$ .

Figure 2. Load Circuit and Voltage Waveforms



## 9 Application and Implementation

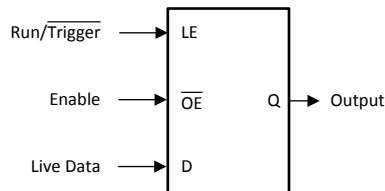
### NOTE

Information in the following applications sections is not part of the TI component specification, and TI does not warrant its accuracy or completeness. TI's customers are responsible for determining suitability of components for their purposes. Customers should validate and test their design implementation to confirm system functionality.

### 9.1 Application Information

To ensure the high-impedance state during power up or power down,  $\overline{OE}$  must be tied to  $V_{CC}$  through a pullup resistor; the minimum value of the resistor is determined by the current-sinking capability of the driver.  $\overline{OE}$  does not affect the internal operations of the latches. Old data can be retained or new data can be entered while the outputs are in the high-impedance state. The SNx4HC573A latches can be used to store 8 bits of data. [Figure 4](#) shows a typical application. A low trigger event latches the output to preserve the event for processing later. With latch input high, this acts as a buffer which follows the live data at the D input when output enable pin held is low.

### 9.2 Typical Application



Copyright © 2016, Texas Instruments Incorporated

**Figure 4. Typical Application Schematic**

#### 9.2.1 Design Requirements

The SNx4HC573A device uses CMOS technology and has balanced output drive ( $\pm 7.8$ -mA). Take care to avoid bus contention, because it can drive currents that would exceed maximum limits.

#### 9.2.2 Detailed Design Procedure

Design requirements must adhere to the [Recommended Operating Conditions](#) and must never exceed the [Absolute Maximum Ratings](#).

The inputs must have a ramp time less than input transition time mentioned in the [Recommended Operating Conditions](#). Slow inputs can cause oscillations at the output, false triggering, and increased current consumption. TI recommends a Schmitt trigger device like SN74HC14 which can tolerate slower signals.

The inputs and outputs must never exceed  $V_{CC}$  to not forward bias the internal ESD diodes. The maximum frequency supported by this device is 28 MHz.

## Typical Application (continued)

### 9.2.3 Application Curve

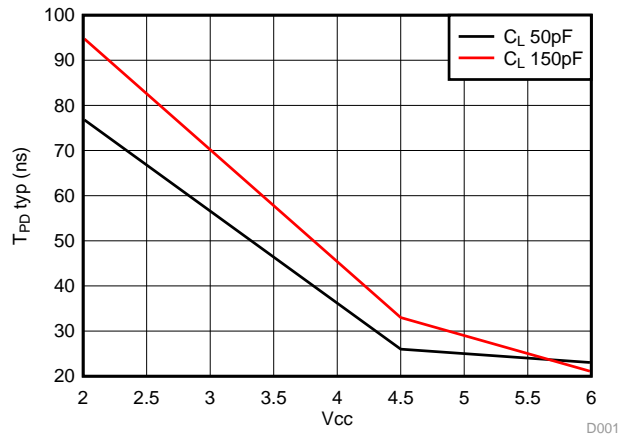


Figure 5. Typical Propagation Delay Curves

## 10 Power Supply Recommendations

The power supply can be any voltage between the minimum and maximum supply voltage rating located in the [Recommended Operating Conditions](#) table. The total current through Ground or V<sub>CC</sub> must not exceed ±70 mA as per [Absolute Maximum Ratings](#) table.

Each V<sub>CC</sub> pin must have a good bypass capacitor to prevent power disturbance. For devices with a single supply, TI recommends 0.1-μF capacitor; if there are multiple V<sub>CC</sub> pins, then TI recommends 0.01-μF or 0.022-μF capacitor for each power pin. It is acceptable to parallel multiple bypass capacitors to reject different frequencies of noise. A 0.1-μF and 1-μF capacitor are commonly used in parallel. The bypass capacitor must be installed as close to the power pin as possible for best results.

## 11 Layout

### 11.1 Layout Guidelines

When using multiple-bit logic devices, inputs must never float.

In many cases, functions or parts of functions of digital logic devices are unused, for example, when only two inputs of a triple-input and the gate are used, or only 3 of the 4 buffer gates are used. Such input pins must not be left unconnected because the undefined voltages at the outside connections result in undefined operational states. [Figure 6](#) specifies the rules that must be observed under all circumstances. All unused inputs of digital logic devices must be connected to a high or low bias to prevent them from floating. The logic level that must be applied to any particular unused input depends on the function of the device. Generally, they are tied to GND or V<sub>CC</sub>, whichever makes more sense or is more convenient. It is acceptable to float outputs, unless the part is a transceiver. If the transceiver has an output enable pin, it disables the output section of the part when asserted. This does not disable the input section of the I/Os, so they cannot float when disabled.

### 11.2 Layout Example

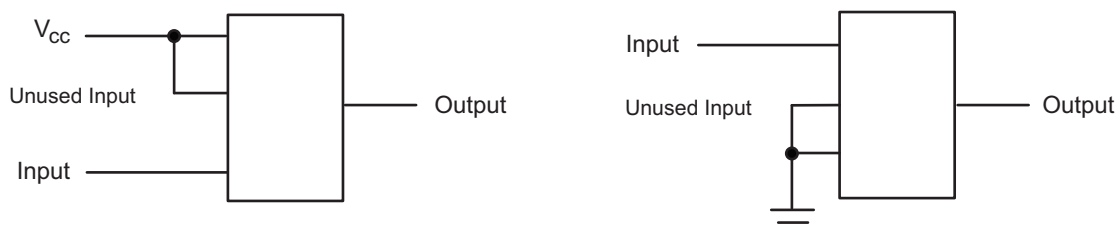


Figure 6. Layout Diagram

## 12 Device and Documentation Support

### 12.1 Documentation Support

#### 12.1.1 Related Documentation

For related documentation see the following:

[Implications of Slow or Floating CMOS Inputs](#) (SCBA004)

### 12.2 Related Links

The table below lists quick access links. Categories include technical documents, support and community resources, tools and software, and quick access to sample or buy.

**Table 2. Related Links**

PARTS	PRODUCT FOLDER	SAMPLE & BUY	TECHNICAL DOCUMENTS	TOOLS & SOFTWARE	SUPPORT & COMMUNITY
SN54HC573A	<a href="#">Click here</a>	<a href="#">Click here</a>	<a href="#">Click here</a>	<a href="#">Click here</a>	<a href="#">Click here</a>
SN74HC573A	<a href="#">Click here</a>	<a href="#">Click here</a>	<a href="#">Click here</a>	<a href="#">Click here</a>	<a href="#">Click here</a>

### 12.3 Receiving Notification of Documentation Updates

To receive notification of documentation updates, navigate to the device product folder on ti.com. In the upper right corner, click on *Alert me* to register and receive a weekly digest of any product information that has changed. For change details, review the revision history included in any revised document.

### 12.4 Community Resources

The following links connect to TI community resources. Linked contents are provided "AS IS" by the respective contributors. They do not constitute TI specifications and do not necessarily reflect TI's views; see TI's [Terms of Use](#).

**TI E2E™ Online Community** *TI's Engineer-to-Engineer (E2E) Community*. Created to foster collaboration among engineers. At e2e.ti.com, you can ask questions, share knowledge, explore ideas and help solve problems with fellow engineers.

**Design Support** *TI's Design Support* Quickly find helpful E2E forums along with design support tools and contact information for technical support.

### 12.5 Trademarks

E2E is a trademark of Texas Instruments.  
All other trademarks are the property of their respective owners.

### 12.6 Electrostatic Discharge Caution



These devices have limited built-in ESD protection. The leads should be shorted together or the device placed in conductive foam during storage or handling to prevent electrostatic damage to the MOS gates.

### 12.7 Glossary

[SLYZ022](#) — *TI Glossary*.

This glossary lists and explains terms, acronyms, and definitions.

## 13 Mechanical, Packaging, and Orderable Information

The following pages include mechanical, packaging, and orderable information. This information is the most current data available for the designated devices. This data is subject to change without notice and revision of this document. For browser-based versions of this data sheet, refer to the left-hand navigation.

**PACKAGING INFORMATION**

Orderable Device	Status (1)	Package Type	Package Drawing	Pins	Package Qty	Eco Plan (2)	Lead/Ball Finish (6)	MSL Peak Temp (3)	Op Temp (°C)	Device Marking (4/5)	Samples
5962-8512801VRA	ACTIVE	CDIP	J	20	1	TBD	Call TI	N / A for Pkg Type	-55 to 125	5962-8512801VR A SNV54HC573AJ	<a href="#">Samples</a>
85128012A	ACTIVE	LCCC	FK	20	1	TBD	POST-PLATE	N / A for Pkg Type	-55 to 125	85128012A SNJ54HC 573AFK	<a href="#">Samples</a>
8512801RA	ACTIVE	CDIP	J	20	1	TBD	Call TI	N / A for Pkg Type	-55 to 125	8512801RA SNJ54HC573AJ	<a href="#">Samples</a>
8512801SA	ACTIVE	CFP	W	20	1	TBD	Call TI	N / A for Pkg Type	-55 to 125	8512801SA SNJ54HC573AW	<a href="#">Samples</a>
JM38510/65406BRA	ACTIVE	CDIP	J	20	1	TBD	Call TI	N / A for Pkg Type	-55 to 125	JM38510/ 65406BRA	<a href="#">Samples</a>
M38510/65406BRA	ACTIVE	CDIP	J	20	1	TBD	Call TI	N / A for Pkg Type	-55 to 125	JM38510/ 65406BRA	<a href="#">Samples</a>
SN54HC573AJ	ACTIVE	CDIP	J	20	1	TBD	Call TI	N / A for Pkg Type	-55 to 125	SN54HC573AJ	<a href="#">Samples</a>
SN74HC573ADBR	ACTIVE	SSOP	DB	20	2000	Green (RoHS & no Sb/Br)	NIPDAU	Level-1-260C-UNLIM	-40 to 85	HC573A	<a href="#">Samples</a>
SN74HC573ADW	ACTIVE	SOIC	DW	20	25	Green (RoHS & no Sb/Br)	NIPDAU	Level-1-260C-UNLIM	-40 to 85	HC573A	<a href="#">Samples</a>
SN74HC573ADWR	ACTIVE	SOIC	DW	20	2000	Green (RoHS & no Sb/Br)	NIPDAU	Level-1-260C-UNLIM	-40 to 85	HC573A	<a href="#">Samples</a>
SN74HC573ADWRG4	ACTIVE	SOIC	DW	20	2000	Green (RoHS & no Sb/Br)	NIPDAU	Level-1-260C-UNLIM	-40 to 85	HC573A	<a href="#">Samples</a>
SN74HC573AN	ACTIVE	PDIP	N	20	20	Pb-Free (RoHS)	NIPDAU	N / A for Pkg Type	-40 to 85	SN74HC573AN	<a href="#">Samples</a>
SN74HC573ANE4	ACTIVE	PDIP	N	20	20	Pb-Free (RoHS)	NIPDAU	N / A for Pkg Type	-40 to 85	SN74HC573AN	<a href="#">Samples</a>
SN74HC573APWR	ACTIVE	TSSOP	PW	20	2000	Green (RoHS & no Sb/Br)	NIPDAU	Level-1-260C-UNLIM	-40 to 85	HC573A	<a href="#">Samples</a>
SN74HC573APWRG4	ACTIVE	TSSOP	PW	20	2000	Green (RoHS & no Sb/Br)	NIPDAU	Level-1-260C-UNLIM	-40 to 85	HC573A	<a href="#">Samples</a>
SN74HC573APWT	ACTIVE	TSSOP	PW	20	250	Green (RoHS & no Sb/Br)	NIPDAU	Level-1-260C-UNLIM	-40 to 85	HC573A	<a href="#">Samples</a>

Orderable Device	Status (1)	Package Type	Package Drawing	Pins	Package Qty	Eco Plan (2)	Lead/Ball Finish (6)	MSL Peak Temp (3)	Op Temp (°C)	Device Marking (4/5)	Samples
SNJ54HC573AFK	ACTIVE	LCCC	FK	20	1	TBD	POST-PLATE	N / A for Pkg Type	-55 to 125	85128012A SNJ54HC 573AFK	<a href="#">Samples</a>
SNJ54HC573AJ	ACTIVE	CDIP	J	20	1	TBD	Call TI	N / A for Pkg Type	-55 to 125	8512801RA SNJ54HC573AJ	<a href="#">Samples</a>
SNJ54HC573AW	ACTIVE	CFP	W	20	1	TBD	Call TI	N / A for Pkg Type	-55 to 125	8512801SA SNJ54HC573AW	<a href="#">Samples</a>

(1) The marketing status values are defined as follows:

**ACTIVE:** Product device recommended for new designs.

**LIFEBUY:** TI has announced that the device will be discontinued, and a lifetime-buy period is in effect.

**NRND:** Not recommended for new designs. Device is in production to support existing customers, but TI does not recommend using this part in a new design.

**PREVIEW:** Device has been announced but is not in production. Samples may or may not be available.

**OBsolete:** TI has discontinued the production of the device.

(2) **RoHS:** TI defines "RoHS" to mean semiconductor products that are compliant with the current EU RoHS requirements for all 10 RoHS substances, including the requirement that RoHS substance do not exceed 0.1% by weight in homogeneous materials. Where designed to be soldered at high temperatures, "RoHS" products are suitable for use in specified lead-free processes. TI may reference these types of products as "Pb-Free".

**RoHS Exempt:** TI defines "RoHS Exempt" to mean products that contain lead but are compliant with EU RoHS pursuant to a specific EU RoHS exemption.

**Green:** TI defines "Green" to mean the content of Chlorine (Cl) and Bromine (Br) based flame retardants meet JS709B low halogen requirements of <=1000ppm threshold. Antimony trioxide based flame retardants must also meet the <=1000ppm threshold requirement.

(3) MSL, Peak Temp. - The Moisture Sensitivity Level rating according to the JEDEC industry standard classifications, and peak solder temperature.

(4) There may be additional marking, which relates to the logo, the lot trace code information, or the environmental category on the device.

(5) Multiple Device Markings will be inside parentheses. Only one Device Marking contained in parentheses and separated by a "-" will appear on a device. If a line is indented then it is a continuation of the previous line and the two combined represent the entire Device Marking for that device.

(6) Lead/Ball Finish - Orderable Devices may have multiple material finish options. Finish options are separated by a vertical ruled line. Lead/Ball Finish values may wrap to two lines if the finish value exceeds the maximum column width.

**Important Information and Disclaimer:** The information provided on this page represents TI's knowledge and belief as of the date that it is provided. TI bases its knowledge and belief on information provided by third parties, and makes no representation or warranty as to the accuracy of such information. Efforts are underway to better integrate information from third parties. TI has taken and continues to take reasonable steps to provide representative and accurate information but may not have conducted destructive testing or chemical analysis on incoming materials and chemicals. TI and TI suppliers consider certain information to be proprietary, and thus CAS numbers and other limited information may not be available for release.

In no event shall TI's liability arising out of such information exceed the total purchase price of the TI part(s) at issue in this document sold by TI to Customer on an annual basis.

**OTHER QUALIFIED VERSIONS OF SN54HC573A, SN54HC573A-SP, SN74HC573A :**

- Catalog: [SN74HC573A](#), [SN54HC573A](#)
- Automotive: [SN74HC573A-Q1](#), [SN74HC573A-Q1](#)
- Military: [SN54HC573A](#)
- Space: [SN54HC573A-SP](#)

## NOTE: Qualified Version Definitions:

- Catalog - TI's standard catalog product
- Automotive - Q100 devices qualified for high-reliability automotive applications targeting zero defects
- Military - QML certified for Military and Defense Applications
- Space - Radiation tolerant, ceramic packaging and qualified for use in Space-based application



## TAPE AND REEL INFORMATION



### QUADRANT ASSIGNMENTS FOR PIN 1 ORIENTATION IN TAPE



\*All dimensions are nominal

Device	Package Type	Package Drawing	Pins	SPQ	Reel Diameter (mm)	Reel Width W1 (mm)	A0 (mm)	B0 (mm)	K0 (mm)	P1 (mm)	W (mm)	Pin1 Quadrant
SN74HC573ADBR	SSOP	DB	20	2000	330.0	16.4	8.2	7.5	2.5	12.0	16.0	Q1
SN74HC573ADWR	SOIC	DW	20	2000	330.0	24.4	10.8	13.3	2.7	12.0	24.0	Q1
SN74HC573APWR	TSSOP	PW	20	2000	330.0	16.4	6.95	7.0	1.4	8.0	16.0	Q1
SN74HC573APWT	TSSOP	PW	20	250	330.0	16.4	6.95	7.1	1.6	8.0	16.0	Q1

**TAPE AND REEL BOX DIMENSIONS**


\*All dimensions are nominal

Device	Package Type	Package Drawing	Pins	SPQ	Length (mm)	Width (mm)	Height (mm)
SN74HC573ADBR	SSOP	DB	20	2000	367.0	367.0	38.0
SN74HC573ADWR	SOIC	DW	20	2000	367.0	367.0	45.0
SN74HC573APWR	TSSOP	PW	20	2000	367.0	367.0	38.0
SN74HC573APWT	TSSOP	PW	20	250	367.0	367.0	38.0

N (R-PDIP-T\*\*)

PLASTIC DUAL-IN-LINE PACKAGE

16 PINS SHOWN



4040049/E 12/2002

- NOTES:
- A. All linear dimensions are in inches (millimeters).
  - B. This drawing is subject to change without notice.
  - $\triangle C$  Falls within JEDEC MS-001, except 18 and 20 pin minimum body length (Dim A).
  - $\triangle D$  The 20 pin end lead shoulder width is a vendor option, either half or full width.

# DW0020A



# PACKAGE OUTLINE

## SOIC - 2.65 mm max height

SOIC



4220724/A 05/2016

**NOTES:**

- All linear dimensions are in millimeters. Dimensions in parenthesis are for reference only. Dimensioning and tolerancing per ASME Y14.5M.
- This drawing is subject to change without notice.
- This dimension does not include mold flash, protrusions, or gate burrs. Mold flash, protrusions, or gate burrs shall not exceed 0.15 mm per side.
- This dimension does not include interlead flash. Interlead flash shall not exceed 0.43 mm per side.
- Reference JEDEC registration MS-013.

# EXAMPLE BOARD LAYOUT

DW0020A

SOIC - 2.65 mm max height

SOIC



LAND PATTERN EXAMPLE  
SCALE:6X



SOLDER MASK DETAILS

4220724/A 05/2016

NOTES: (continued)

- 6. Publication IPC-7351 may have alternate designs.
- 7. Solder mask tolerances between and around signal pads can vary based on board fabrication site.

# EXAMPLE STENCIL DESIGN

DW0020A

SOIC - 2.65 mm max height

SOIC



SOLDER PASTE EXAMPLE  
BASED ON 0.125 mm THICK STENCIL  
SCALE:6X

4220724/A 05/2016

NOTES: (continued)

8. Laser cutting apertures with trapezoidal walls and rounded corners may offer better paste release. IPC-7525 may have alternate design recommendations.
9. Board assembly site may have different recommendations for stencil design.

W (R-GDFP-F20)

CERAMIC DUAL FLATPACK



- NOTES:
- A. All linear dimensions are in inches (millimeters).
  - B. This drawing is subject to change without notice.
  - C. This package can be hermetically sealed with a ceramic lid using glass frit.
  - D. Index point is provided on cap for terminal identification only.
  - E. Falls within Mil-Std 1835 GDFP2-F20

FK (S-CQCC-N\*\*)

LEADLESS CERAMIC CHIP CARRIER

28 TERMINAL SHOWN



NO. OF TERMINALS **	A		B	
	MIN	MAX	MIN	MAX
20	0.342 (8,69)	0.358 (9,09)	0.307 (7,80)	0.358 (9,09)
28	0.442 (11,23)	0.458 (11,63)	0.406 (10,31)	0.458 (11,63)
44	0.640 (16,26)	0.660 (16,76)	0.495 (12,58)	0.560 (14,22)
52	0.740 (18,78)	0.761 (19,32)	0.495 (12,58)	0.560 (14,22)
68	0.938 (23,83)	0.962 (24,43)	0.850 (21,6)	0.858 (21,8)
84	1.141 (28,99)	1.165 (29,59)	1.047 (26,6)	1.063 (27,0)



4040140/D 01/11

- NOTES:
- All linear dimensions are in inches (millimeters).
  - This drawing is subject to change without notice.
  - This package can be hermetically sealed with a metal lid.
  - Falls within JEDEC MS-004



# DB0020A



# PACKAGE OUTLINE

## SSOP - 2 mm max height

SMALL OUTLINE PACKAGE



4214851/B 08/2019

### NOTES:

1. All linear dimensions are in millimeters. Any dimensions in parenthesis are for reference only. Dimensioning and tolerancing per ASME Y14.5M.
2. This drawing is subject to change without notice.
3. This dimension does not include mold flash, protrusions, or gate burrs. Mold flash, protrusions, or gate burrs shall not exceed 0.15 mm per side.
4. This dimension does not include interlead flash. Interlead flash shall not exceed 0.25 mm per side.
5. Reference JEDEC registration MO-150.

# EXAMPLE BOARD LAYOUT

DB0020A

SSOP - 2 mm max height

SMALL OUTLINE PACKAGE



LAND PATTERN EXAMPLE  
EXPOSED METAL SHOWN  
SCALE: 10X



4214851/B 08/2019

NOTES: (continued)

- 6. Publication IPC-7351 may have alternate designs.
- 7. Solder mask tolerances between and around signal pads can vary based on board fabrication site.

# EXAMPLE STENCIL DESIGN

DB0020A

SSOP - 2 mm max height

SMALL OUTLINE PACKAGE



SOLDER PASTE EXAMPLE  
BASED ON 0.125 mm THICK STENCIL  
SCALE: 10X

4214851/B 08/2019

NOTES: (continued)

8. Laser cutting apertures with trapezoidal walls and rounded corners may offer better paste release. IPC-7525 may have alternate design recommendations.
9. Board assembly site may have different recommendations for stencil design.

J (R-GDIP-T\*\*)

14 LEADS SHOWN

CERAMIC DUAL IN-LINE PACKAGE



DIM \ PINS **	14	16	18	20
A	0.300 (7,62) BSC	0.300 (7,62) BSC	0.300 (7,62) BSC	0.300 (7,62) BSC
B MAX	0.785 (19,94)	.840 (21,34)	0.960 (24,38)	1.060 (26,92)
B MIN	—	—	—	—
C MAX	0.300 (7,62)	0.300 (7,62)	0.310 (7,87)	0.300 (7,62)
C MIN	0.245 (6,22)	0.245 (6,22)	0.220 (5,59)	0.245 (6,22)



4040083/F 03/03

- NOTES:
- All linear dimensions are in inches (millimeters).
  - This drawing is subject to change without notice.
  - This package is hermetically sealed with a ceramic lid using glass frit.
  - Index point is provided on cap for terminal identification only on press ceramic glass frit seal only.
  - Falls within MIL STD 1835 GDIP1-T14, GDIP1-T16, GDIP1-T18 and GDIP1-T20.



PW (R-PDSO-G20)

PLASTIC SMALL OUTLINE



- NOTES:
- A. All linear dimensions are in millimeters.
  - B. This drawing is subject to change without notice.
  - C. Publication IPC-7351 is recommended for alternate design.
  - D. Laser cutting apertures with trapezoidal walls and also rounding corners will offer better paste release. Customers should contact their board assembly site for stencil design recommendations. Refer to IPC-7525 for other stencil recommendations.
  - E. Customers should contact their board fabrication site for solder mask tolerances between and around signal pads.

## IMPORTANT NOTICE AND DISCLAIMER

TI PROVIDES TECHNICAL AND RELIABILITY DATA (INCLUDING DATASHEETS), DESIGN RESOURCES (INCLUDING REFERENCE DESIGNS), APPLICATION OR OTHER DESIGN ADVICE, WEB TOOLS, SAFETY INFORMATION, AND OTHER RESOURCES "AS IS" AND WITH ALL FAULTS, AND DISCLAIMS ALL WARRANTIES, EXPRESS AND IMPLIED, INCLUDING WITHOUT LIMITATION ANY IMPLIED WARRANTIES OF MERCHANTABILITY, FITNESS FOR A PARTICULAR PURPOSE OR NON-INFRINGEMENT OF THIRD PARTY INTELLECTUAL PROPERTY RIGHTS.

These resources are intended for skilled developers designing with TI products. You are solely responsible for (1) selecting the appropriate TI products for your application, (2) designing, validating and testing your application, and (3) ensuring your application meets applicable standards, and any other safety, security, or other requirements. These resources are subject to change without notice. TI grants you permission to use these resources only for development of an application that uses the TI products described in the resource. Other reproduction and display of these resources is prohibited. No license is granted to any other TI intellectual property right or to any third party intellectual property right. TI disclaims responsibility for, and you will fully indemnify TI and its representatives against, any claims, damages, costs, losses, and liabilities arising out of your use of these resources.

TI's products are provided subject to TI's Terms of Sale ([www.ti.com/legal/termsofsale.html](http://www.ti.com/legal/termsofsale.html)) or other applicable terms available either on [ti.com](http://ti.com) or provided in conjunction with such TI products. TI's provision of these resources does not expand or otherwise alter TI's applicable warranties or warranty disclaimers for TI products.

Mailing Address: Texas Instruments, Post Office Box 655303, Dallas, Texas 75265  
Copyright © 2020, Texas Instruments Incorporated