



TDA6650TT; TDA6651TT

5 V mixer/oscillator and low noise PLL synthesizer for hybrid terrestrial tuner (digital and analog)

Rev. 05 — 10 January 2007

Product data sheet

1. General description

The TDA6650TT; TDA6651TT is a programmable 3-band mixer/oscillator and low phase noise PLL synthesizer intended for pure 3-band tuner concepts applied to hybrid (digital and analog) or digital only terrestrial and cable TV reception.

Table 1. Different versions are available depending on the target application^[1]

Application	Type version
hybrid (analog and digital)	TDA6650TT/C3
	TDA6651TT/C3
digital only	TDA6650TT/C3/S2
	TDA6651TT/C3/S2
	TDA6651TT/C3/S3

[1] See [Table 22 "Characteristics"](#) for differences between TDA6651TT/C3/S2 and TDA6651TT/C3/S3.

The device includes three double balanced mixers for low, mid and high bands, three oscillators for the corresponding bands, a switchable IF amplifier, a wideband AGC detector and a low noise PLL synthesizer. The frequencies of the three bands are shown in [Table 2](#). Two pins are available between the mixer output and the IF amplifier input to enable IF filtering for improved signal handling and to improve the adjacent channel rejection.

Table 2. Recommended band limits in MHz

Band	RF input		Oscillator	
	Min	Max	Min	Max
PAL and DVB-T tuners for hybrid application^[1]				
Low	44.25	157.25	83.15	196.15
Mid	157.25	443.25	196.15	482.15
High	443.25	863.25	482.15	902.15
DVB-T tuners for digital only application^[2]				
Low	47.00	160.00	83.15	196.15
Mid	160.00	446.00	196.15	482.15
High	446.00	866.00	482.15	902.15

[1] RF input frequency is the frequency of the corresponding picture carrier for analog standard.

[2] RF input frequency is the frequency of the center of DVB-T channel.

The IF amplifier is switchable in order to drive both symmetrical and asymmetrical outputs. When it is used as an asymmetrical amplifier, the IFOUTB pin needs to be connected to the supply voltage V_{CCA} .

Five open-drain PMOS ports are included on the IC. Two of them, BS1 and BS2, are also dedicated to the selection of the low, mid and high bands. PMOS port BS5 pin is shared with the ADC.

The AGC detector provides a control that can be used in a tuner to set the gain of the RF stage. Six AGC take-over points are available by software. Two programmable AGC time constants are available for search tuning and normal tuner operation.

The local oscillator signal is fed to the fractional-N divider. The divided frequency is compared to the comparison frequency into the fast phase detector which drives the charge pump. The loop amplifier is also on-chip, including the high-voltage transistor to drive directly the 33 V tuning voltage without the need to add an external transistor.

The comparison frequency is obtained from an on-chip crystal oscillator. The crystal frequency can be output to the XTOUT pin to drive the clock input of a digital demodulation IC.

Control data is entered via the I²C-bus; six serial bytes are required to address the device, select the Local Oscillator (LO) frequency, select the step frequency, program the output ports and set the charge pump current or select the ALBC mode, enable or disable the crystal output buffer, select the AGC take-over point and time constant and/or select a specific test mode. A status byte concerning the AGC level detector and the ADC voltage can be read out on the SDA line during a read operation. During a read operation, the loop 'in-lock' flag, the power-on reset flag and the automatic loop bandwidth control flag are read.

The device has 4 programmable addresses. Each address can be selected by applying a specific voltage to pin AS, enabling the use of multiple devices in the same system.

The I²C-bus is fast mode compatible, except for the timing as described in the functional description and is compatible with 5 V, 3.3 V and 2.5 V microcontrollers depending on the voltage applied to pin BVS.

2. Features

- Single-chip 5 V mixer/oscillator and low phase noise PLL synthesizer for TV and VCR tuners, dedicated to hybrid (digital and analog) as well as pure digital applications (DVB-T)
- Five possible step frequencies to cope with different digital terrestrial TV and analog TV standards
- Eight charge pump currents between 40 μ A and 600 μ A to reach the optimum phase noise performance over the bands
- Automatic Loop Bandwidth Control (ALBC) sets the optimum phase noise performance for DVB-T channels
- I²C-bus protocol compatible with 2.5 V, 3.3 V and 5 V microcontrollers:
 - ◆ Address + 5 data bytes transmission (I²C-bus write mode)
 - ◆ Address + 1 status byte (I²C-bus read mode)
 - ◆ Four independent I²C-bus addresses.
- Five PMOS open-drain ports with 15 mA source capability for band switching and general purpose; one of these ports is combined with a 5-step ADC
- Wideband AGC detector for internal tuner AGC:

- ◆ Six programmable take-over points
- ◆ Two programmable time constants
- ◆ AGC flag.
- In-lock flag
- Crystal frequency output buffer
- 33 V tuning voltage output
- Fractional-N programmable divider
- Balanced mixers with a common emitter input for the low band and for the mid band (each single input)
- Balanced mixer with a common base input for the high band (balanced input)
- 2-pin asymmetrical oscillator for the low band
- 2-pin symmetrical oscillator for the mid band
- 4-pin symmetrical oscillator for the high band
- Switched concept IF amplifier with both asymmetrical and symmetrical outputs to drive low impedance or SAW filters i.e. 500 Ω / 40 pF.

3. Applications

For all applications, the recommendations given in the latest application note *AN10544* must be used.

3.1 Application summary

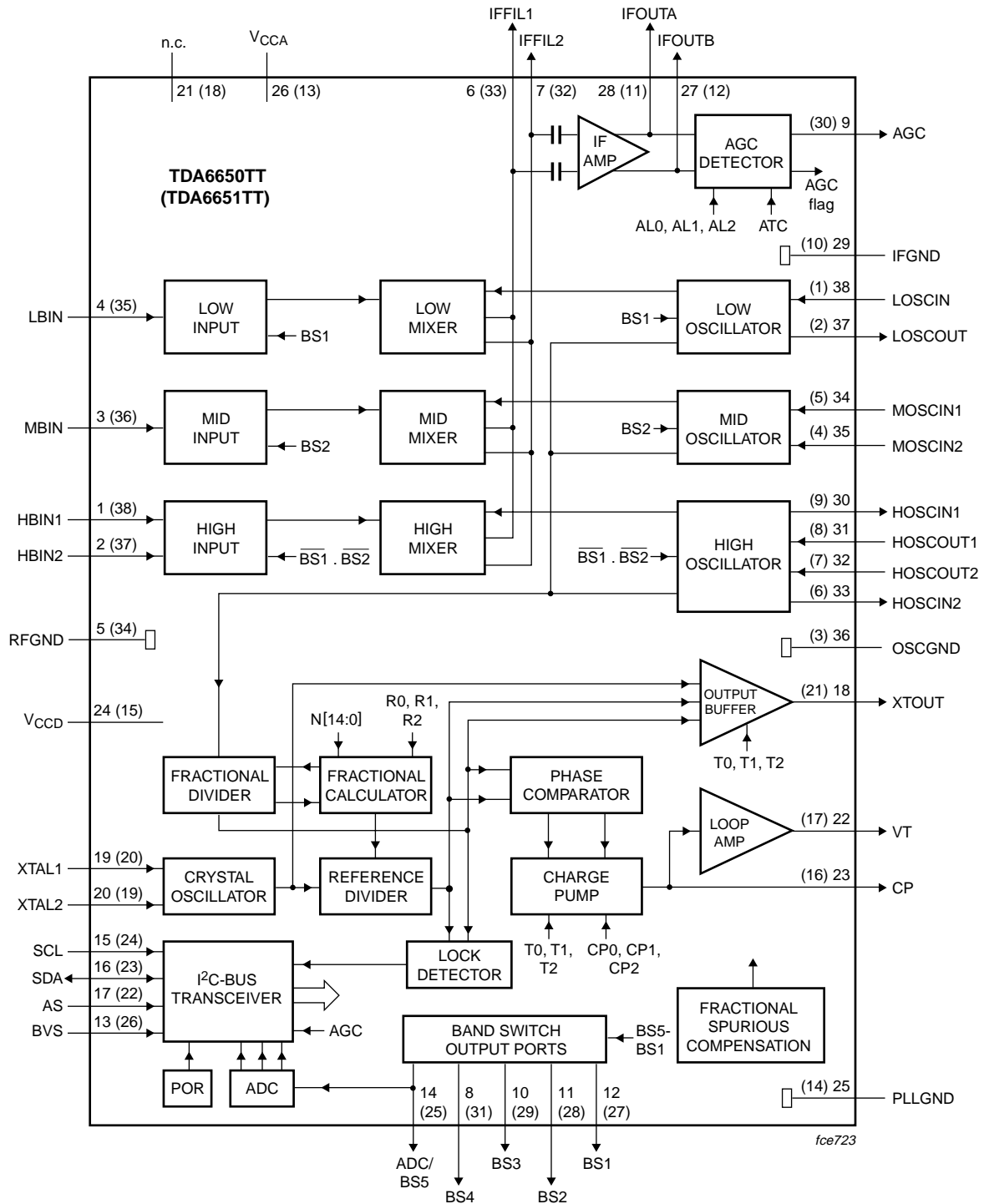
- Digital and analog terrestrial tuners (OFDM, PAL, etc.)
- Cable tuners (QAM)
- Digital TV sets
- Digital set-top boxes.

4. Ordering information

Table 3. Ordering information

Type number	Package		Version
	Name	Description	
TDA6650TT/C3	TSSOP38	plastic thin shrink small outline package; 38 leads; body width 4.4 mm; lead pitch 0.5 mm	SOT510-1
TDA6650TT/C3/S2			
TDA6651TT/C3			
TDA6651TT/C3/S2			
TDA6651TT/C3/S3			

5. Block diagram



The pin numbers in parenthesis represent the TDA6651TT.

Fig 1. Block diagram

6. Pinning information

6.1 Pin description

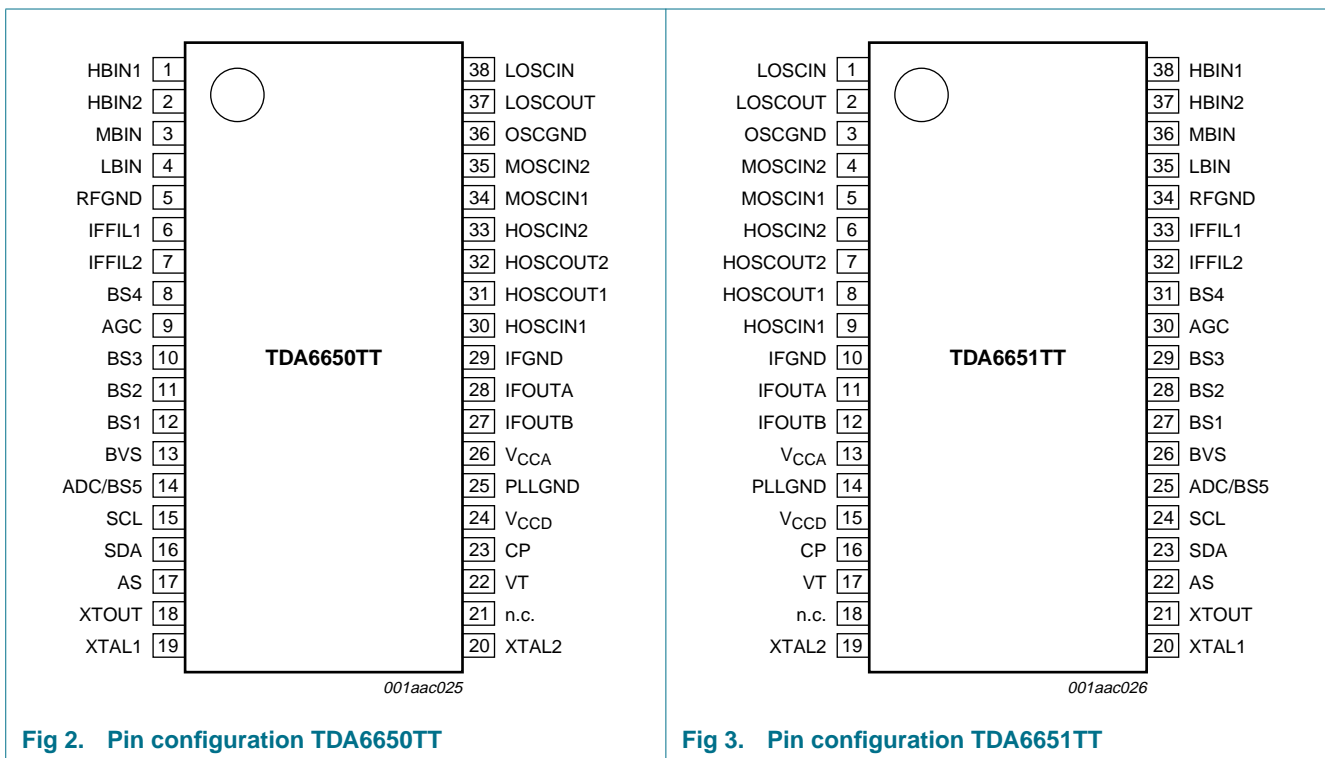
Table 4. Pin description

Symbol	Pin		Description
	TDA6650TT	TDA6651TT	
HBIN1	1	38	high band RF input 1
HBIN2	2	37	high band RF input 2
MBIN	3	36	mid band RF input
LBIN	4	35	low band RF input
RFGND	5	34	RF ground
IFFIL1	6	33	IF filter output 1
IFFIL2	7	32	IF filter output 2
BS4	8	31	PMOS open-drain output port 4 for general purpose
AGC	9	30	AGC output
BS3	10	29	PMOS open-drain output port 3 for general purpose
BS2	11	28	PMOS open-drain output port 2 to select the mid band
BS1	12	27	PMOS open-drain output port 1 to select the low band
BVS	13	26	bus voltage selection input
ADC/BS5	14	25	ADC input or PMOS open-drain output port 5 for general purpose
SCL	15	24	I ² C-bus serial clock input
SDA	16	23	I ² C-bus serial data input and output
AS	17	22	I ² C-bus address selection input
XTOUT	18	21	crystal frequency buffer output
XTAL1	19	20	crystal oscillator input 1
XTAL2	20	19	crystal oscillator input 2
n.c	21	18	not connected
VT	22	17	tuning voltage output
CP	23	16	charge pump output
V _{CCD}	24	15	supply voltage for the PLL part
PLLGND	25	14	PLL ground
V _{CCA}	26	13	supply voltage for the analog part
IFOUTB	27	12	IF output B for symmetrical amplifier and asymmetrical IF amplifier switch input
IFOUTA	28	11	IF output A
IFGND	29	10	IF ground
HOSCIN1	30	9	high band oscillator input 1
HOSCOUT1	31	8	high band oscillator output 1
HOSCOUT2	32	7	high band oscillator output 2
HOSCIN2	33	6	high band oscillator input 2

Table 4. Pin description...continued

Symbol	Pin		Description
	TDA6650TT	TDA6651TT	
MOSCIN1	34	5	mid band oscillator input 1
MOSCIN2	35	4	mid band oscillator input 2
OSCGND	36	3	oscillators ground
LOSCOUT	37	2	low band oscillator output
LOSCIN	38	1	low band oscillator input

6.2 Pinning



7. Functional description

7.1 Mixer, Oscillator and PLL (MOPLL) functions

Bit BS1 enables the BS1 port, the low band mixer and the low band oscillator. Bit BS2 enables the BS2 port, the mid band mixer and the mid band oscillator. When both BS1 and BS2 bits are logic 0, the high band mixer and the high band oscillator are enabled.

The oscillator signal is applied to the fractional-N programmable divider. The divided signal f_{div} is fed to the phase comparator where it is compared in both phase and frequency with the comparison frequency f_{comp} . This frequency is derived from the signal present on the crystal oscillator f_{xtal} and divided in the reference divider. There is a fractional calculator on the chip that generates the data for the fractional divider as well as

the reference divider ratio, depending on the step frequency selected. The crystal oscillator requires a 4 MHz crystal in series with an 18 pF capacitor between pins XTAL1 and XTAL2.

The output of the phase comparator drives the charge pump and the loop amplifier section. This amplifier has an on-chip high voltage drive transistor. Pin CP is the output of the charge pump, and pin VT is the pin to drive the tuning voltage to the varicap diodes of the oscillators and the tracking filters. The loop filter has to be connected between pins CP and VT. The spurious signals introduced by the fractional divider are automatically compensated by the spurious compensation block.

It is possible to drive the clock input of a digital demodulation IC from pin XTOUT with the 4 MHz signal from the crystal oscillator. This output is also used to output $\frac{1}{2}f_{div}$ and f_{comp} signals in a specific test mode (see [Table 9](#)). It is possible to switch off this output, which is recommended when it is not used.

For test and alignment purposes, it is also possible to release the tuning voltage output by selecting the sinking mode (see [Table 9](#)), and by applying an external voltage on pin VT.

In addition to the BS1 and BS2 output ports that are used for the band selection, there are three general purpose ports BS3, BS4 and BS5. All five ports are PMOS open-drain type, each with 15 mA drive capability. The connection for port BS5 and the ADC input is combined on one pin. It is not possible to use the ADC if port BS5 is used.

The AGC detector compares the level at the IF amplifier output to a reference level which is selected from 6 different levels via the I²C-bus. The time constant of the AGC can be selected via the I²C-bus to cope with normal operation as well as with search operation.

When the output level on pin AGC is higher than the threshold V_{RMH} , then bit AGC = 1. When the output level on pin AGC is lower than the threshold V_{RML} , then bit AGC = 0. Between these two thresholds, bit AGC is not defined. The status of the AGC bit can be read via the I²C-bus according to the read mode as described in [Table 15](#).

7.2 I²C-bus voltage

The I²C-bus lines SCL and SDA can be connected to an I²C-bus system tied to 2.5 V, 3.3 V or 5 V. The choice of the bus input threshold voltages is made with pin BVS that can be left open-circuit, connected to the supply voltage or to ground (see [Table 5](#)).

Table 5. I²C-bus voltage selection

Pin BVS connection	Bus voltage	Logic level	
		LOW	HIGH
To ground	2.5 V	0 V to 0.75 V	1.75 V to 5.5 V
Open-circuit	3.3 V	0 V to 1.0 V	2.3 V to 5.5 V
To V _{CC}	5 V	0 V to 1.5 V	3.0 V to 5.5 V

7.3 Phase noise, I²C-bus traffic and crosstalk

While the TDA6650TT; TDA6651TT is dedicated for hybrid terrestrial applications, the low noise PLL will clean up the noise spectrum of the VCOs close to the carrier to reach noise levels at 1 kHz offset from the carrier compatible with e.g. DVB-T reception.

Linked to this noise improvement, some disturbances may become visible while they were not visible because they were hidden into the noise in analog dedicated applications and circuits.

This is especially true for disturbances coming from the I²C-bus traffic, whatever this traffic is intended for the MOPLL or for another slave on the bus.

To avoid this I²C-bus crosstalk and be able to have a clean noise spectrum, it is necessary to use a bus gate that enables the signal on the bus to drive the MOPLL only when the communication is intended for the tuner part (such a kind of I²C-bus gate is included into the NXP terrestrial channel decoders), and to avoid unnecessary repeated sending of the same information.

8. I²C-bus protocol

The TDA6650TT; TDA6651TT is controlled via the two-wire I²C-bus. For programming, there is one device address (7 bits) and the $\overline{R/W}$ bit for selecting read or write mode. To be able to have more than one MOPLL in an I²C-bus system, one of four possible addresses is selected depending on the voltage applied to address selection pin AS (see [Table 8](#)).

The TDA6650TT; TDA6651TT fulfils the fast mode I²C-bus, according to the NXP I²C-bus specification, except for the timing as described in [Figure 4](#). The I²C-bus interface is designed in such a way that the pins SCL and SDA can be connected to 5 V, 3.3 V or to 2.5 V pulled-up I²C-bus lines, depending on the voltage applied to pin BVS (see [Table 5](#)).

8.1 Write mode; $\overline{R/W} = 0$

After the address transmission (first byte), data bytes can be sent to the device (see [Table 6](#)). Five data bytes are needed to fully program the TDA6650TT; TDA6651TT. The I²C-bus transceiver has an auto-increment facility that permits programming the device within one single transmission (address + 5 data bytes).

The TDA6650TT; TDA6651TT can also be partly programmed on the condition that the first data byte following the address is byte 2 (divider byte 1) or byte 4 (control byte 1). The first bit of the first data byte transmitted indicates whether byte 2 (first bit = 0) or byte 4 (first bit = 1) will follow. Until an I²C-bus STOP condition is sent by the controller, additional data bytes can be entered without the need to re-address the device. The fractional calculator is updated only at the end of the transmission (STOP condition). Each control byte is loaded after the 8th clock pulse of the corresponding control byte. Main divider data are valid only if no new I²C-bus transmission is started (START condition) during the computation period of 50 μ s.

Both DB1 and DB2 need to be sent to change the main divider ratio. If the value of the ratio selection bits R2, R1 and R0 are changed, the bytes DB1 and DB2 have to be sent in the same transmission.

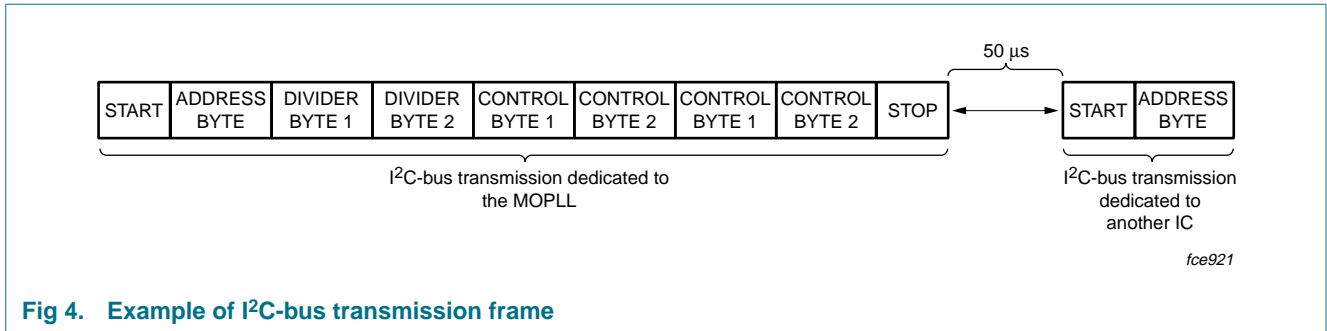


Fig 4. Example of I²C-bus transmission frame

Table 6. I²C-bus write data format

Name	Byte	Bit								Ack
		MSB ^[1]						LSB		
Address byte	1	1	1	0	0	0	MA1	MA0	R/W = 0	A
Divider byte 1 (DB1)	2	0	N14	N13	N12	N11	N10	N9	N8	A
Divider byte 2 (DB2)	3	N7	N6	N5	N4	N3	N2	N1	N0	A
Control byte 1 (CB1); see Table 7	4	1	T/A = 1	T2	T1	T0	R2	R1	R0	A
		1	T/A = 0	0	0	0	ATC	AL2	AL1	AL0
Control byte 2 (CB2)	5	CP2	CP1	CP0	BS5	BS4	BS3	BS2	BS1	A

[1] MSB is transmitted first.

Table 7. Description of write data format bits

Bit	Description
A	acknowledge
MA1 and MA0	programmable address bits; see Table 8
R/W	logic 0 for write mode
N14 to N0	programmable LO frequency; $N = N14 \times 2^{14} + N13 \times 2^{13} + N12 \times 2^{12} + \dots + N1 \times 2^1 + N0$
T/A	test/AGC bit
	T/A = 0: the next 6 bits sent are AGC settings T/A = 1: the next 6 bits sent are test and reference divider ratio settings
T2, T1 and T0	test bits; see Table 9
R2, R1 and R0	reference divider ratio and programmable frequency step; see Table 10
ATC	AGC current setting and time constant; capacitor on pin AGC = 150 nF
	ATC = 0: AGC current = 220 nA; AGC time constant = 2 s ATC = 1: AGC current = 9 µA; AGC time constant = 50 ms
AL2, AL1 and AL0	AGC take-over point bits; see Table 11
CP2, CP1 and CP0	charge pump current; see Table 12
BS5, BS4, BS3, BS2 and BS1	PMOS ports control bits
	BSn = 0: corresponding port is off, high-impedance state (status at power-on reset) BSn = 1: corresponding port is on; $V_O = V_{CC} - V_{DS(sat)}$

8.1.1 I²C-bus address selection

The device address contains programmable address bits MA1 and MA0, which offer the possibility of having up to four MOPLL ICs in one system. [Table 8](#) gives the relationship between the voltage applied to the AS input and the MA1 and MA0 bits.

Table 8. Address selection

Voltage applied to pin AS	MA1	MA0
0 V to 0.1V _{CC}	0	0
0.2V _{CC} to 0.3V _{CC} or open-circuit	0	1
0.4V _{CC} to 0.6V _{CC}	1	0
0.9V _{CC} to V _{CC}	1	1

8.1.2 XTOUT output buffer and mode setting

The crystal frequency can be sent to pin XTOUT and used in the application, for example to drive the clock input of a digital demodulator, saving a quartz crystal in the bill of material. To output f_{xtal}, it is necessary to set T[2:0] to 001. If the output signal on this pin is not used, it is recommended to disable it, by setting T[2:0] to 000. This pin is also used to output 1/2f_{div} and f_{comp} in a test mode. At power-on, the XTOUT output buffer is set to on, supplying the f_{xtal} signal. The relation between the signal on pin XTOUT and the setting of the T[2:0] bits is given in [Table 9](#).

Table 9. XTOUT buffer status and test modes

T2	T1	T0	Pin XTOUT	Mode
0	0	0	disabled	normal mode with XTOUT buffer off
0	0	1	f _{xtal} (4 MHz)	normal mode with XTOUT buffer on
0	1	0	1/2f _{div}	charge pump off
0	1	1	f _{xtal} (4 MHz)	switch ALBC on or off ^[1]
1	0	0	f _{comp}	test mode
1	0	1	1/2f _{div}	test mode
1	1	0	f _{xtal} (4 MHz)	charge pump sinking current ^[2]
1	1	1	disabled	charge pump sourcing current

[1] Automatic Loop Bandwidth Control (ALBC) is disabled at power-on reset. After power-on reset this feature is enabled by setting T[2:0] = 011. To disable again the ALBC, set T[2:0] = 011 again. This test mode acts like a toggle switch, which means each time it is set the status of the ALBC changes. To toggle the ALBC, two consecutive Control byte 1s (CB1), should be sent: one byte with T[2:0] = 011 indicating that ALBC will be switched on or off and one byte programming the test mode to be selected (see [Table 30](#), example of I²C-bus sequence).

[2] This is the default mode at power-on reset. This mode disables the tuning voltage.

8.1.3 Step frequency setting

The step frequency is set by three bits, giving five steps to cope with different application requirements.

The reference divider ratio is automatically set depending on bits R2, R1 and R0. The phase detector works at either 4 MHz, 2 MHz or 1 MHz.

[Table 10](#) shows the step frequencies and corresponding reference divider ratios. When the value of bits R2, R1 and R0 are changed, it is necessary to re-send the data bytes DB1 and DB2.

Table 10. Reference divider ratio select bits

R2	R1	R0	Reference divider ratio	Frequency comparison	Frequency step
0	0	0	2	2 MHz	62.5 kHz
0	0	1	1	4 MHz	142.86 kHz
0	1	0	1	4 MHz	166.67 kHz
0	1	1	4	1 MHz	50 kHz
1	0	0	1	4 MHz	125 kHz
1	0	1	-	-	reserved
1	1	0	-	-	reserved
1	1	1	-	-	reserved

8.1.4 AGC detector setting

The AGC take-over point can be selected out of 6 levels according to [Table 11](#).

Table 11. AGC programming

AL2	AL1	AL0	Typical take-over point level
0	0	0	[1] 124 dB μ V (p-p)
0	0	1	[1] 121 dB μ V (p-p)
0	1	0	[1] 118 dB μ V (p-p)
0	1	1	[2] 115 dB μ V (p-p)
1	0	0	[2] 112 dB μ V (p-p)
1	0	1	[2] 109 dB μ V (p-p)
1	1	0	[3] $I_{AGC} = 0$ A
1	1	1	[4] $V_{AGC} = 3.5$ V

[1] This take-over point is available for both symmetrical and asymmetrical modes.

[2] This take-over point is available for asymmetrical mode only.

[3] The AGC current sources are disabled. The AGC output goes into a high-impedance state and an external AGC source can be connected in parallel and will not be influenced.

[4] The AGC detector is disabled and $I_{AGC} = 9$ μ A.

8.1.5 Charge pump current setting

The charge pump current can be chosen from 8 values depending on the value of bits CP2, CP1 and CP0 bits; see [Table 12](#). The programming of the CP bits are not taken into account when ALBC mode is in use.

Table 12. Charge pump current

CP2	CP1	CP0	Charge pump current number	Typical current (absolute value in μ A)
0	0	0	1	38
0	0	1	2	54
0	1	0	3	83
0	1	1	4	122
1	0	0	5	163

Table 12. Charge pump current...continued

CP2	CP1	CP0	Charge pump current number	Typical current (absolute value in μA)
1	0	1	6	254
1	1	0	7	400
1	1	1	8	580

8.1.6 Automatic Loop Bandwidth Control (ALBC)

In a PLL controlled VCO in which the PLL reduces phase noise close to the carrier, there is an optimum loop bandwidth corresponding to the minimum integrated phase jitter. This loop bandwidth depends on different parameters like the VCO slope, the loop filter components, the dividing ratio and the gain of the phase detector and charge pump.

In order to reach the best phase noise performance it is necessary, especially in a wideband system like a digital tuner, to set the charge pump current to different values depending on the band and frequency used. This is to cope with the variations of the different parameters that set the bandwidth. The selection can be done in the application and requires for each frequency to program not only the divider ratios, but also the band and the best charge pump current.

The TDA6650TT; TDA6651TT includes the ALBC feature that automatically sets the band and the charge pump current, provided the IC is used in the DVB-T standard application shown in [Figure 27](#) and [28](#). This feature is activated by setting bits T[2:0] = 011 after power-on reset. This feature is disabled when the same bits are set again. When ALBC is activated, the output ports BS1, BS2 and BS3 are not programmed by the corresponding BS bits, but are set according to [Table 13](#) and [14](#). When ALBC is active, bit ALBC = 1. [Table 14](#) summarizes the programming of the band selection and the charge pump current when ALBC is active.

Table 13. ALBC settings

Bit				Band selected	Charge pump current	Port		
ALBC	BS3	BS2	BS1			BS3	BS2	BS1
0	X	0	0	high	see Table 14	follows bit BS3	off	off
0	X	0	1	low	see Table 14	follows bit BS3	off	on
0	X	1	0	mid	see Table 14	follows bit BS3	on	off
0	X	1	1	forbidden				
1	X	X	X	depends on LO program, shown in Table 14				

Table 14. ALBC band selection and charge current setting

LO frequency	Band	Charge pump current number
80 MHz to 92 MHz	low	2
92 MHz to 144 MHz	low	3
144 MHz to 156 MHz	low	4
156 MHz to 176 MHz	low	5
176 MHz to 184 MHz	low	6

Table 14. ALBC band selection and charge current setting...continued

LO frequency	Band	Charge pump current number
184 MHz to 196 MHz	low	7
196 MHz to 224 MHz	mid	2
224 MHz to 296 MHz	mid	3
296 MHz to 380 MHz	mid	4
380 MHz to 404 MHz	mid	5
404 MHz to 448 MHz	mid	6
448 MHz to 472 MHz	mid	7
472 MHz to 484 MHz	mid	8
484 MHz to 604 MHz	high	4
604 MHz to 676 MHz	high	5
676 MHz to 752 MHz	high	6
752 MHz to 868 MHz	high	7
868 MHz to 904 MHz	high	8

8.2 Read mode; R/W = 1

Data can be read from the device by setting the R/W bit to 1 (see Table 15). After the device address has been recognized, the device generates an acknowledge pulse and the first data byte (status byte) is transferred on the SDA line (MSB first). Data is valid on the SDA line during a HIGH level of the SCL clock signal.

A second data byte can be read from the device if the microcontroller generates an acknowledge on the SDA line (master acknowledge). End of transmission will occur if no master acknowledge occurs. The device will then release the data line to allow the microcontroller to generate a STOP condition.

Table 15. I²C-bus read data format

Name	Byte	Bit								ACK
		MSB ^[1]				LSB				
Address byte	1	1	1	0	0	0	MA1	MA0	R/W = 1	A
Status byte	2	POR	FL	ALBC	1	AGC	A2	A1	A0	-

[1] MSB is transmitted first.

Table 16. Description of read data format bits

Bit	Description
A	acknowledge bit
POR	power-on reset flag
	POR = 0, normal operation
	POR = 1, power-on reset
FL	in-lock flag
	FL = 0, not locked
	FL = 1, the PLL is locked

Table 16. Description of read data format bits...continued

Bit	Description
ALBC	automatic loop bandwidth control flag ALBC = 0, no automatic loop bandwidth control ALBC = 1, automatic loop bandwidth control selected
AGC	internal AGC flag AGC = 0 when internal AGC is active ($V_{AGC} < V_{RML}$) AGC = 1 when internal AGC is not active ($V_{AGC} > V_{RMH}$)
A2, A1, A0	digital outputs of the 5-level ADC; see Table 17

Table 17. ADC levels

Voltage applied to pin ADC ^[1]	A2	A1	A0
0.6V _{CC} to V _{CC}	1	0	0
0.45V _{CC} to 0.6V _{CC}	0	1	1
0.3V _{CC} to 0.45V _{CC}	0	1	0
0.15V _{CC} to 0.3V _{CC}	0	0	1
0 V to 0.15V _{CC}	0	0	0

[1] Accuracy is $\pm 0.03V_{CC}$. Bit BS5 must be set to logic 0 to disable the BS5 output port. The BS5 output port uses the same pin as the ADC and can not be used when the ADC is in use.

8.3 Status at power-on reset

At power on or when the supply voltage drops below approximately 2.85 V (at $T_{amb} = 25\text{ }^{\circ}\text{C}$), internal registers are set according to [Table 18](#).

At power on, the charge pump current is set to 580 μA , the test bits T[2:0] are set to 110 which means that the charge pump is sinking current, the tuning voltage output is disabled and the ALBC function is disabled. The XTOUT buffer is on, driving the 4 MHz signal from the crystal oscillator and all the ports are off. As a consequence, the high band is selected by default.

Table 18. Default setting at power-on reset

Name	Byte	Bit ^[1]							
		MSB							LSB
Address byte	1	1	1	0	0	0	MA1	MA0	X
Divider byte 1 (DB1)	2	0	N14 = X	N13 = X	N12 = X	N11 = X	N10 = X	N9 = X	N8 = X
Divider byte 2 (DB2)	3	N7 = X	N6 = X	N5 = X	N4 = X	N3 = X	N2 = X	N1 = X	N0 = X
Control byte 1 (CB1)	4	1	T/A = X ^[2]	T2 = 1	T1 = 1	T0 = 0	R2 = X	R1 = X	R0 = X
		1	T/A = X ^[3]	0	0	ATC = 0	AL2 = 0	AL1 = 1	AL0 = 0
Control byte 2 (CB2)	5	CP2 = 1	CP1 = 1	CP0 = 1	BS5 = 0	BS4 = 0	BS3 = 0	BS2 = 0	BS1 = 0

- [1] X means that this bit is not set or reset at power-on reset.
- [2] The next six bits are written, when bit T/A = 1 in a write sequence.
- [3] The next six bits are written, when bit T/A = 0 in a write sequence.

9. Internal circuitry

Table 19. Internal pin configuration

Symbol	Pin		Average DC voltage versus band selection			Description ^[1]
	TDA6650TT	TDA6651TT	Low	Mid	High	
HBIN1	1	38	n.a.	n.a	1.0 V	<p style="text-align: right;"><i>fce899</i></p>
HBIN2	2	37	n.a.	n.a	1.0 V	
MBIN	3	36	n.a.	1.8 V	n.a.	<p style="text-align: right;"><i>fce901</i></p>
LBIN	4	35	1.8 V	n.a.	n.a.	<p style="text-align: right;"><i>fce898</i></p>
RFGND	5	34	-	-	-	<p style="text-align: right;"><i>fce897</i></p>
IFFIL1	6	33	3.7 V	3.7 V	3.7 V	<p style="text-align: right;"><i>fce896</i></p>
IFFIL2	7	32	3.7 V	3.7 V	3.7 V	
BS4	8	31	high-Z or $V_{CC} - V_{DS}$	high-Z or $V_{CC} - V_{DS}$	high-Z or $V_{CC} - V_{DS}$	<p style="text-align: right;"><i>fce895</i></p>

Table 19. Internal pin configuration...continued

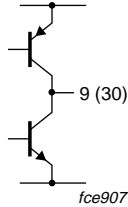
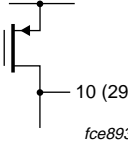

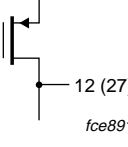
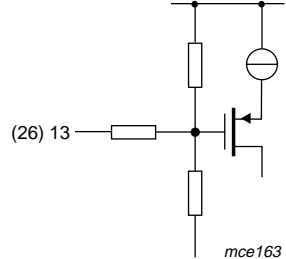
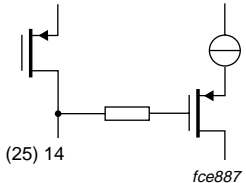
Symbol	Pin		Average DC voltage versus band selection			Description ^[1]
	TDA6650TT	TDA6651TT	Low	Mid	High	
AGC	9	30	0 V or 3.5 V	0 V or 3.5 V	0 V or 3.5 V	
BS3	10	29	high-Z or $V_{CC} - V_{DS}$	high-Z or $V_{CC} - V_{DS}$	high-Z or $V_{CC} - V_{DS}$	
BS2	11	28	high-Z	$V_{CC} - V_{DS}$	high-Z	
BS1	12	27	$V_{CC} - V_{DS}$	high-Z	high-Z	
BVS	13	26	2.5 V	2.5 V	2.5 V	
ADC/BS5	14	25	V_{CEsat} or high-Z	V_{CEsat} or high-Z	V_{CEsat} or high-Z	

Table 19. Internal pin configuration...continued

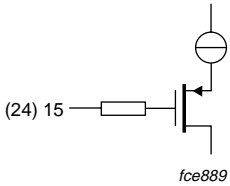
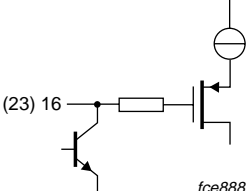
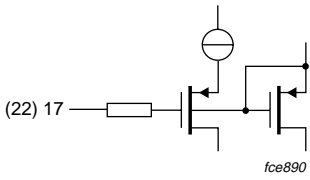
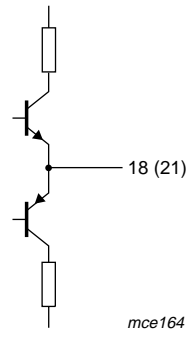
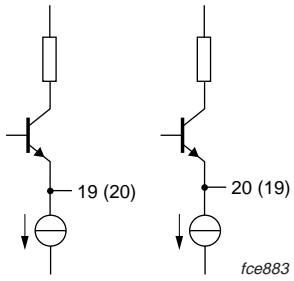
Symbol	Pin		Average DC voltage versus band selection			Description ^[1]
	TDA6650TT	TDA6651TT	Low	Mid	High	
SCL	15	24	high-Z	high-Z	high-Z	 <p style="text-align: right;">fce889</p>
SDA	16	23	high-Z	high-Z	high-Z	 <p style="text-align: right;">fce888</p>
AS	17	22	1.25 V	1.25 V	1.25 V	 <p style="text-align: right;">fce890</p>
XTOUT	18	21	3.45 V	3.45 V	3.45 V	 <p style="text-align: right;">mce164</p>
XTAL1	19	20	2.2 V	2.2 V	2.2 V	 <p style="text-align: right;">fce883</p>
XTAL2	20	19	2.2 V	2.2 V	2.2 V	
n.c.	21	18	n.a.			not connected

Table 19. Internal pin configuration...continued

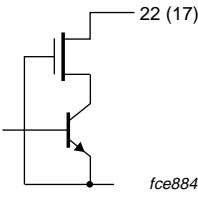
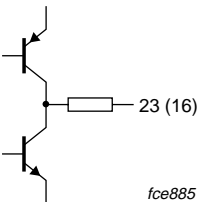
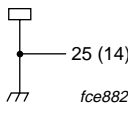
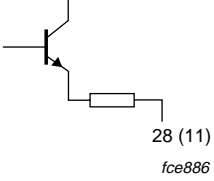
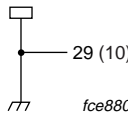
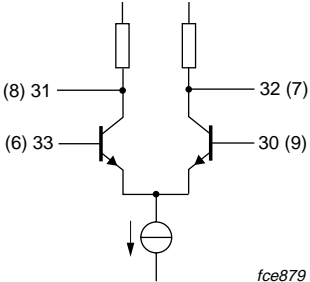
Symbol	Pin		Average DC voltage versus band selection			Description ^[1]
	TDA6650TT	TDA6651TT	Low	Mid	High	
VT	22	17	V _{VT}	V _{VT}	V _{VT}	
CP	23	16	1.8 V	1.8 V	1.8 V	
V _{CCD}	24	15	5 V	5 V	5 V	
PLLGND	25	14	-	-	-	
V _{CCA}	26	13	5 V	5 V	5 V	
IFOUTB	27	12	2.1 V	2.1 V	2.1 V	
IFOUTA	28	11	2.1 V	2.1 V	2.1 V	
IFGND	29	10	-	-	-	
HOSCIN1	30	9	2.2 V	2.2 V	1.8 V	
HOSCOUT1	31	8	5 V	5 V	2.5 V	
HOSCOUT2	32	7	5 V	5 V	2.5 V	
HOSCIN2	33	6	2.2 V	2.2 V	1.8 V	

Table 19. Internal pin configuration...continued

Symbol	Pin		Average DC voltage versus band selection			Description ^[1]
	TDA6650TT	TDA6651TT	Low	Mid	High	
MOSCIN1	34	5	2.3 V	1.3 V	2.3 V	
MOSCIN2	35	4	2.3 V	1.3 V	2.3 V	
OSCGND	36	3	-	-	-	
LOSCOUT	37	2	1.7 V	1.4 V	1.4 V	
LOSCIN	38	1	2.9 V	3.5 V	3.5 V	

[1] The pin numbers in parenthesis refer to the TDA6651TT.

10. Limiting values

Table 20. Limiting values

In accordance with the Absolute Maximum Rating System (IEC 60134). Positive currents are entering the IC and negative currents are going out of the IC; all voltages are referenced to ground ^[1].

Symbol	Parameter	Conditions	Min	Max	Unit
V _{CCA}	analog supply voltage		-0.3	+6	V
V _{CCD}	digital supply voltage		-0.3	+6	V
V _{VT}	tuning voltage output		-0.3	+35	V
V _{SDA}	serial data input and output voltage		-0.3	+6	V
I _{SDA}	serial data output current	during acknowledge	0	10	mA
V _{SCL}	serial clock input voltage		-0.3	+6	V
V _{AS}	address selection input voltage		-0.3	+6	V

Table 20. Limiting values...continued

In accordance with the Absolute Maximum Rating System (IEC 60134). Positive currents are entering the IC and negative currents are going out of the IC; all voltages are referenced to ground [1].

Symbol	Parameter	Conditions	Min	Max	Unit
V_n	voltage on all other inputs, outputs and combined inputs and outputs, except grounds	$4.5\text{ V} < V_{CC} < 5.5\text{ V}$	-0.3	$V_{CC} + 0.3$	V
I_{BSn}	PMOS port output current	corresponding port on; open-drain	-20	0	mA
$I_{BS(tot)}$	sum of all PMOS port output currents	open-drain	-50	0	mA
$t_{sc(max)}$	maximum short-circuit time	each pin to V_{CC} or to ground	-	10	s
T_{stg}	storage temperature		-40	+150	°C
T_{amb}	ambient temperature		[2] -20	$T_{amb(max)}$	°C
T_j	junction temperature		-	150	°C

- [1] Maximum ratings cannot be exceeded, not even momentarily without causing irreversible IC damage. Maximum ratings cannot be accumulated.
- [2] The maximum allowed ambient temperature $T_{amb(max)}$ depends on the assembly conditions of the package and especially on the design of the printed-circuit board. The application mounting must be done in such a way that the maximum junction temperature is never exceeded. An estimation of the junction temperature can be obtained through measurement of the temperature of the top center of the package ($T_{package}$). The temperature difference junction to case (ΔT_{j-c}) is estimated at about 13 °C on the demo board (PCB 827-3). The junction temperature: $T_j = T_{package} + \Delta T_{j-c}$.

11. Thermal characteristics

Table 21. Thermal characteristics

Symbol	Parameter	Conditions	Typ	Unit
$R_{th(j-a)}$	thermal resistance from junction to ambient	in free air	[1][2][3]	
	TDA6650TT		82	K/W
	TDA6651TT		74	K/W

- [1] Measured in free air as defined by JEDEC standard JESD51-2.
- [2] These values are given for information only. The thermal resistance depends strongly on the nature and design of the printed-circuit board used in the application. The thermal resistance given corresponds to the value that can be measured on a multilayer printed-circuit board (4 layers) as defined by JEDEC standard.
- [3] The junction temperature influences strongly the reliability of an IC. The printed-circuit board used in the application contributes in a large part to the overall thermal characteristic. It must therefore be insured that the junction temperature of the IC never exceeds $T_{j(max)} = 150\text{ °C}$ at the maximum ambient temperature.

12. Characteristics

Table 22. Characteristics

$V_{CCA} = V_{CCD} = 5\text{ V}$; $T_{amb} = 25\text{ °C}$; values are given for an asymmetrical IF output loaded with a $75\ \Omega$ load or with a symmetrical IF output loaded with $1.25\text{ k}\Omega$; positive currents are entering the IC and negative currents are going out of the IC; the performances of the circuits are measured in the measurement circuits [Figure 27](#) and [28](#) for digital application or in the measurement circuits [Figure 29](#) and [30](#) for hybrid application; unless otherwise specified.

Symbol	Parameter	Conditions	Min	Typ	Max	Unit
Supply						
V_{CC}	supply voltage		4.5	5.0	5.5	V
I_{CC}	supply current	PMOS ports off	80	96	115	mA
		one PMOS port on: sourcing 15 mA	96	112	131	mA
		two PMOS ports on: one port sourcing 15 mA and one other port sourcing 5 mA	101	117	136	mA
General functions						
V_{POR}	power-on reset supply voltage	power-on reset active if $V_{CC} < V_{POR}$	-	2.85	3.5	V
Δf_{lock}	frequency range the PLL is able to synthesize		64	-	1024	MHz
Crystal oscillator^[1]						
f_{xtal}	crystal frequency		-	4.0	-	MHz
$ Z_{xtal} $	input impedance (absolute value)	$f_{xtal} = 4\text{ MHz}$; $V_{CC} = 4.5\text{ V to }5.5\text{ V}$; $T_{amb} = -20\text{ °C to }+T_{amb(max)}$, see Section 10	350	430	-	Ω
P_{xtal}	crystal drive level	$f_{xtal} = 4\text{ MHz}$	[2] -	70	-	μW
PMOS ports: pins BS1, BS2, BS3, BS4 and BS5						
$I_{LO(off)}$	output leakage current in off state	$V_{CC} = 5.5\text{ V}$; $V_{BS} = 0\text{ V}$	-10	-	-	μA
$V_{DS(sat)}$	output saturation voltage	only corresponding buffer is on, sourcing 15 mA; $V_{DS(sat)} = V_{CC} - V_{BS}$	-	0.2	0.4	V
ADC input: pin ADC						
V_i	ADC input voltage	see Table 17	0	-	5.5	V
I_{IH}	HIGH-level input current	$V_{ADC} = V_{CC}$	-	-	10	μA
I_{IL}	LOW-level input current	$V_{ADC} = 0\text{ V}$	-10	-	-	μA
Address selection input: pin AS						
I_{IH}	HIGH-level input current	$V_{AS} = 5.5\text{ V}$	-	-	10	μA
I_{IL}	LOW-level input current	$V_{AS} = 0\text{ V}$	-10	-	-	μA
Bus voltage selection input: pin BVS						
I_{IH}	HIGH-level input current	$V_{BVS} = 5.5\text{ V}$	-	-	100	μA
I_{IL}	LOW-level input current	$V_{BVS} = 0\text{ V}$	-100	-	-	μA
Buffered output: pin XTOUT						
$V_{o(p-p)}$	square wave AC output voltage (peak-to-peak value)		[3] -	400	-	mV
Z_o	output impedance		-	175	-	Ω

Table 22. Characteristics...continued

$V_{CCA} = V_{CCD} = 5\text{ V}$; $T_{amb} = 25\text{ }^{\circ}\text{C}$; values are given for an asymmetrical IF output loaded with a $75\ \Omega$ load or with a symmetrical IF output loaded with $1.25\text{ k}\Omega$; positive currents are entering the IC and negative currents are going out of the IC; the performances of the circuits are measured in the measurement circuits [Figure 27](#) and [28](#) for digital application or in the measurement circuits [Figure 29](#) and [30](#) for hybrid application; unless otherwise specified.

Symbol	Parameter	Conditions	Min	Typ	Max	Unit
I²C-bus						
Inputs: pins SCL and SDA						
f_{clk}	clock frequency	frequency on SCL	-	-	400	kHz
V_{IL}	LOW-level input voltage	$V_{BVS} = 0\text{ V}$	0	-	0.75	V
		$V_{BVS} = 2.5\text{ V}$ or open-circuit	0	-	1.0	V
		$V_{BVS} = 5\text{ V}$	0	-	1.5	V
V_{IH}	HIGH-level input voltage	$V_{BVS} = 0\text{ V}$	1.75	-	5.5	V
		$V_{BVS} = 2.5\text{ V}$ or open-circuit	2.3	-	5.5	V
		$V_{BVS} = 5\text{ V}$	3.0	-	5.5	V
I_{IH}	HIGH-level input current	$V_{CC} = 0\text{ V}$; $V_{BUS} = 5.5\text{ V}$	-	-	10	μA
		$V_{CC} = 5.5\text{ V}$; $V_{BUS} = 5.5\text{ V}$	-	-	10	μA
I_{IL}	LOW-level input current	$V_{CC} = 0\text{ V}$; $V_{BUS} = 1.5\text{ V}$	-	-	10	μA
		$V_{CC} = 5.5\text{ V}$; $V_{BUS} = 0\text{ V}$	-10	-	-	μA
Output: pin SDA						
I_{LH}	leakage current	$V_{SDA} = 5.5\text{ V}$	-	-	10	μA
$V_{O(ack)}$	output voltage during acknowledge	$I_{SDA} = 3\text{ mA}$	-	-	0.4	V
Charge pump output: pin CP						
$ I_o $	output current (absolute value)	see Table 12	-	-	-	μA
$I_{L(off)}$	off-state leakage current	charge pump off ($T[2:0] = 010$)	-15	0	+15	nA
Tuning voltage output: pin VT						
$I_{L(off)}$	leakage current when switched-off	tuning supply voltage = 33 V	-	-	10	μA
$V_{O(cl)}$	output voltage when the loop is closed	tuning supply voltage = 33 V; $R_L = 15\text{ k}\Omega$	0.3	-	32.7	V
Noise performance						
$J_{\phi(rms)}$	phase jitter (RMS value)	integrated between 1 kHz and 1 MHz offset from the carrier				
		digital only application: TDA6650TT/C3/S2; TDA6651TT/C3/S2; TDA6651TT/C3/S3	-	0.5	-	deg
		hybrid application: TDA6650TT/C3; TDA6651TT/C3	-	0.6	-	deg
Low band mixer, including IF amplifier						
f_{RF}	RF frequency	picture carrier for digital only application: TDA6650TT/C3/S2; TDA6651TT/C3/S2; TDA6651TT/C3/S3	[4] 47.00	-	160.00	MHz
		picture carrier for hybrid application: TDA6650TT/C3; TDA6651TT/C3	[4] 43.25	-	157.25	MHz

Table 22. Characteristics...continued

$V_{CCA} = V_{CCD} = 5\text{ V}$; $T_{amb} = 25\text{ °C}$; values are given for an asymmetrical IF output loaded with a $75\ \Omega$ load or with a symmetrical IF output loaded with $1.25\text{ k}\Omega$; positive currents are entering the IC and negative currents are going out of the IC; the performances of the circuits are measured in the measurement circuits [Figure 27](#) and [28](#) for digital application or in the measurement circuits [Figure 29](#) and [30](#) for hybrid application; unless otherwise specified.

Symbol	Parameter	Conditions	Min	Typ	Max	Unit
G_v	voltage gain	asymmetrical IF output; $R_L = 75\ \Omega$; see Figure 14				
		$f_{RF} = 44.25\text{ MHz}$	21	24	27	dB
		$f_{RF} = 157.25\text{ MHz}$	21	24	27	dB
		symmetrical IF output; $R_L = 1.25\text{ k}\Omega$; see Figure 15				
		$f_{RF} = 44.25\text{ MHz}$	25	28	31	dB
		$f_{RF} = 157.25\text{ MHz}$	25	28	31	dB
NF	noise figure	see Figure 16 and 17				
		$f_{RF} = 50\text{ MHz}$	-	8.0	10.0	dB
		$f_{RF} = 150\text{ MHz}$	-	8.0	10.0	dB
V_o	output voltage causing 1 % cross modulation in channel	asymmetrical application; see Figure 18	[5]			
		$f_{RF} = 44.25\text{ MHz}$	107	110	-	dB μ V
		$f_{RF} = 157.25\text{ MHz}$	107	110	-	dB μ V
		symmetrical application; see Figure 19	[5]			
		$f_{RF} = 44.25\text{ MHz}$	117	120	-	dB μ V
		$f_{RF} = 157.25\text{ MHz}$	117	120	-	dB μ V
V_i	input voltage causing 750 Hz frequency deviation pulling in channel	asymmetrical IF output	-	90	-	dB μ V
INT_{SO2}	channel SO2 beat	hybrid application: TDA6650TT/C3; TDA6651TT/C3; $V_{RFpix} = 80\text{ dB}\mu\text{V}$	[6] 57	60	-	dBc
$V_{i(lock)}$	input level without lock-out	see Figure 25	[7] -	-	120	dB μ V
G_i	input conductance	$f_{RF} = 44.25\text{ MHz}$; see Figure 5	-	0.13	-	mS
		$f_{RF} = 157.25\text{ MHz}$; see Figure 5	-	0.11	-	mS
C_i	input capacitance	$f_{RF} = 44.25\text{ MHz}$ to 157.25 MHz ; see Figure 5	-	1.36	-	pF
Mid band mixer, including IF amplifier						
f_{RF}	RF frequency	picture carrier for digital only application: TDA6650TT/C3/S2; TDA6651TT/C3/S2; TDA6651TT/C3/S3	[4] 160.00	-	446.00	MHz
		picture carrier for hybrid application: TDA6650TT/C3; TDA6651TT/C3	[4] 157.25	-	443.25	MHz

Table 22. Characteristics...continued

$V_{CCA} = V_{CCD} = 5\text{ V}$; $T_{amb} = 25\text{ }^\circ\text{C}$; values are given for an asymmetrical IF output loaded with a $75\ \Omega$ load or with a symmetrical IF output loaded with $1.25\ \text{k}\Omega$; positive currents are entering the IC and negative currents are going out of the IC; the performances of the circuits are measured in the measurement circuits [Figure 27](#) and [28](#) for digital application or in the measurement circuits [Figure 29](#) and [30](#) for hybrid application; unless otherwise specified.

Symbol	Parameter	Conditions	Min	Typ	Max	Unit	
G_v	voltage gain	asymmetrical IF output; load = $75\ \Omega$; see Figure 14					
		$f_{RF} = 157.25\ \text{MHz}$	21	24	27	dB	
		$f_{RF} = 443.25\ \text{MHz}$	21	24	27	dB	
		symmetrical IF output; load = $1.25\ \text{k}\Omega$; see Figure 15					
		$f_{RF} = 157.25\ \text{MHz}$	25	28	31	dB	
		$f_{RF} = 443.25\ \text{MHz}$	25	28	31	dB	
NF	noise figure	see Figure 16 and 17					
		$f_{RF} = 150\ \text{MHz}$	-	8.0	10.0	dB	
		$f_{RF} = 300\ \text{MHz}$	-	9.0	11.0	dB	
V_o	output voltage causing 1 % cross modulation in channel	asymmetrical application; see Figure 18	[5]				
		$f_{RF} = 157.25\ \text{MHz}$	107	110	-	dB μV	
		$f_{RF} = 443.25\ \text{MHz}$	107	110	-	dB μV	
		symmetrical application; see Figure 19	[5]				
		$f_{RF} = 157.25\ \text{MHz}$	117	120	-	dB μV	
	$f_{RF} = 443.25\ \text{MHz}$	117	120	-	dB μV		
$V_{f(N+5)-1}$	$(N + 5) - 1\ \text{MHz}$ pulling	$f_{RF(\text{wanted})} = 443.25\ \text{MHz}$; $f_{\text{osc}} = 482.15\ \text{MHz}$; $f_{RF(\text{unwanted})} = 482.25\ \text{MHz}$	[8]	-	80	-	dB μV
V_i	input voltage causing 750 Hz frequency deviation pulling in channel	asymmetrical IF output	-	89	-	dB μV	
$V_{i(\text{lock})}$	input level without lock-out	see Figure 25	[7]	-	-	120	dB μV
G_i	input conductance	see Figure 6	-	0.3	-	mS	
C_i	input capacitance	see Figure 6	-	1.1	-	pF	

High band mixer, including IF amplifier

f_{RF}	RF frequency	picture carrier for digital only application: TDA6650TT/C3/S2; TDA6651TT/C3/S2; TDA6651TT/C3/S3	[4]	446.00	-	866.00	MHz
		picture carrier for hybrid application: TDA6650TT/C3; TDA6651TT/C3	[4]	443.25	-	863.25	MHz
G_v	voltage gain	asymmetrical IF output; load = $75\ \Omega$; see Figure 20					
		$f_{RF} = 443.25\ \text{MHz}$	31.5	34.5	37.5	dB	
		$f_{RF} = 863.25\ \text{MHz}$	31.5	34.5	37.5	dB	
		symmetrical IF output; load = $1.25\ \text{k}\Omega$; see Figure 21					
		$f_{RF} = 443.25\ \text{MHz}$	35.5	38.5	41.5	dB	
	$f_{RF} = 863.25\ \text{MHz}$	35.5	38.5	41.5	dB		

Table 22. Characteristics...*continued*

$V_{CCA} = V_{CCD} = 5\text{ V}$; $T_{amb} = 25\text{ °C}$; values are given for an asymmetrical IF output loaded with a $75\ \Omega$ load or with a symmetrical IF output loaded with $1.25\text{ k}\Omega$; positive currents are entering the IC and negative currents are going out of the IC; the performances of the circuits are measured in the measurement circuits [Figure 27](#) and [28](#) for digital application or in the measurement circuits [Figure 29](#) and [30](#) for hybrid application; unless otherwise specified.

Symbol	Parameter	Conditions	Min	Typ	Max	Unit	
NF	noise figure, not corrected for image	see Figure 22					
		$f_{RF} = 443.25\text{ MHz}$	-	6.0	8.0	dB	
		$f_{RF} = 863.25\text{ MHz}$	-	7.0	9.0	dB	
V_o	output voltage causing 1 % cross modulation in channel	asymmetrical application; see Figure 23	[5]				
		$f_{RF} = 443.25\text{ MHz}$	107	110	-	dB μ V	
		$f_{RF} = 863.25\text{ MHz}$	107	110	-	dB μ V	
		symmetrical application; see Figure 24	[5]				
		$f_{RF} = 443.25\text{ MHz}$	117	120	-	dB μ V	
		$f_{RF} = 863.25\text{ MHz}$	117	120	-	dB μ V	
$V_{i(\text{lock})}$	input level without lock-out	see Figure 26	[7]	-	-	120 dB μ V	
$V_{f(N+5)-1}$	$(N + 5) - 1\text{ MHz}$ pulling	$f_{RF(\text{wanted})} = 815.25\text{ MHz}$; $f_{osc} = 854.15\text{ MHz}$; $f_{RF(\text{unwanted})} = 854.25\text{ MHz}$	[8]	-	80	-	dB μ V
V_i	input voltage causing 750 Hz frequency deviation pulling in channel	asymmetrical IF output	-	79	-	dB μ V	
Z_i	input impedance ($R_S + jL_S\omega$)	$f_{RF} = 443.25\text{ MHz}$; see Figure 7					
		R_S	-	35	-	Ω	
		L_S	-	8	-	nH	
		$f_{RF} = 863.25\text{ MHz}$; see Figure 7					
		R_S	-	36	-	Ω	
		L_S	-	8	-	nH	

Low band oscillator

f_{osc}	oscillator frequency		[9]	83.15	-	196.15	MHz
$\Delta f_{osc(V)}$	oscillator frequency shift with supply voltage		[10]	-	110	-	kHz
$\Delta f_{osc(T)}$	oscillator frequency drift with temperature	$\Delta T = 25\text{ °C}$; $V_{CC} = 5\text{ V}$ with compensation	[11]	-	900	-	kHz
$\Phi_{osc(\text{dig})}$	phase noise, carrier to sideband noise in digital application	TDA6650TT/C3/S2; TDA6651TT/C3/S2; TDA6651TT/C3/S3					
		$\pm 1\text{ kHz}$ frequency offset; $f_{comp} = 4\text{ MHz}$; see Figure 8 , 27 and 28	82	95	-	dBc/Hz	
		$\pm 10\text{ kHz}$ frequency offset; worst case in the frequency range; see Figure 9 , 27 and 28	87	100	-	dBc/Hz	
		$\pm 100\text{ kHz}$ frequency offset; worst case in the frequency range; see Figure 10 , 27 and 28	104	110	-	dBc/Hz	
		$\pm 1.4\text{ MHz}$ frequency offset; worst case in the frequency range; see Figure 27 and 28	-	117	-	dBc/Hz	

Table 22. Characteristics...continued

$V_{CCA} = V_{CCD} = 5\text{ V}$; $T_{amb} = 25\text{ }^\circ\text{C}$; values are given for an asymmetrical IF output loaded with a $75\ \Omega$ load or with a symmetrical IF output loaded with $1.25\ \text{k}\Omega$; positive currents are entering the IC and negative currents are going out of the IC; the performances of the circuits are measured in the measurement circuits [Figure 27](#) and [28](#) for digital application or in the measurement circuits [Figure 29](#) and [30](#) for hybrid application; unless otherwise specified.

Symbol	Parameter	Conditions	Min	Typ	Max	Unit
$\Phi_{\text{osc(hyb)}}$	phase noise, carrier to sideband noise in hybrid application	TDA6650TT/C3; TDA6651TT/C3				
		$\pm 1\text{ kHz}$ frequency offset; $f_{\text{comp}} = 4\text{ MHz}$; see Figure 11 , 29 , and 30	80	95	-	dBc/Hz
		$\pm 10\text{ kHz}$ frequency offset; worst case in the frequency range; see Figure 12 , 29 , and 30	85	96	-	dBc/Hz
		$\pm 100\text{ kHz}$ frequency offset; worst case in the frequency range; see Figure 13 , 29 , and 30	104	110	-	dBc/Hz
		$\pm 1.4\text{ MHz}$ frequency offset; worst case in the frequency range; see Figure 29 and 30	-	117	-	dBc/Hz
$RSC_{\text{p-p}}$	ripple susceptibility of V_{CC} (peak-to-peak value)	$V_{CC} = 5\text{ V} \pm 5\%$; worst case in the frequency range; ripple frequency 500 kHz	[12] 15	200	-	mV
Mid band oscillator						
f_{osc}	oscillator frequency		[9] 196.15	-	482.15	MHz
$\Delta f_{\text{osc(V)}}$	oscillator frequency shift with supply voltage		[10] -	110	-	kHz
$\Delta f_{\text{osc(T)}}$	oscillator frequency drift with temperature	$\Delta T = 25\text{ }^\circ\text{C}$; $V_{CC} = 5\text{ V}$ with compensation	[11] -	1500	-	kHz
$\Phi_{\text{osc(dig)}}$	phase noise, carrier to sideband noise in digital application	TDA6650TT/C3/S2; TDA6651TT/C3/S2; TDA6651TT/C3/S3				
		$\pm 1\text{ kHz}$ frequency offset; $f_{\text{comp}} = 4\text{ MHz}$; see Figure 8 , 27 and 28	85	90	-	dBc/Hz
		$\pm 10\text{ kHz}$ frequency offset; worst case in the frequency range; see Figure 9 , 27 and 28	87	95	-	dBc/Hz
		$\pm 100\text{ kHz}$ frequency offset; worst case in the frequency range; see Figure 10 , 27 and 28	104	110	-	dBc/Hz
		$\pm 1.4\text{ MHz}$ frequency offset; worst case in the frequency range; see Figure 27 and 28	-	115	-	dBc/Hz
$\Phi_{\text{osc(hyb)}}$	phase noise, carrier to sideband noise in hybrid application	TDA6650TT/C3; TDA6651TT/C3				
		$\pm 1\text{ kHz}$ frequency offset; $f_{\text{comp}} = 4\text{ MHz}$; see Figure 11 , 29 , and 30	82	88	-	dBc/Hz
		$\pm 10\text{ kHz}$ frequency offset; worst case in the frequency range; see Figure 12 , 29 , and 30	85	90	-	dBc/Hz
		$\pm 100\text{ kHz}$ frequency offset; worst case in the frequency range; see Figure 13 , 29 , and 30	104	110	-	dBc/Hz
		$\pm 1.4\text{ MHz}$ frequency offset; worst case in the frequency range; see Figure 29 and 30	-	115	-	dBc/Hz

Table 22. Characteristics...continued

$V_{CCA} = V_{CCD} = 5\text{ V}$; $T_{amb} = 25\text{ °C}$; values are given for an asymmetrical IF output loaded with a $75\ \Omega$ load or with a symmetrical IF output loaded with $1.25\text{ k}\Omega$; positive currents are entering the IC and negative currents are going out of the IC; the performances of the circuits are measured in the measurement circuits [Figure 27](#) and [28](#) for digital application or in the measurement circuits [Figure 29](#) and [30](#) for hybrid application; unless otherwise specified.

Symbol	Parameter	Conditions	Min	Typ	Max	Unit
RSC_{p-p}	ripple susceptibility of V_{CC} (peak-to-peak value)	$V_{CC} = 5\text{ V} \pm 5\%$; worst case in the frequency range; ripple frequency 500 kHz	[12] 15	140	-	mV
High band oscillator						
f_{osc}	oscillator frequency		[9] 482.15	-	902.15	MHz
$\Delta f_{osc(V)}$	oscillator frequency shift with supply voltage		[10] -	300	-	kHz
$\Delta f_{osc(T)}$	oscillator frequency drift with temperature	$\Delta T = 25\text{ °C}$; $V_{CC} = 5\text{ V}$; with compensation	[11] -	1100	-	kHz
$\Phi_{osc(dig)}$	phase noise, carrier to sideband noise in digital application	TDA6650TT/C3/S2; TDA6651TT/C3/S2; TDA6651TT/C3/S3				
		$\pm 1\text{ kHz}$ frequency offset; $f_{comp} = 4\text{ MHz}$; see Figure 8 , 27 and 28	85	89	-	dBc/Hz
		$\pm 10\text{ kHz}$ frequency offset; worst case in the frequency range; see Figure 9 , 27 and 28	87	93	-	dBc/Hz
		$\pm 100\text{ kHz}$ frequency offset; worst case in the frequency range; see Figure 10 , 27 and 28	104	107	-	dBc/Hz
$\Phi_{osc(hyb)}$	phase noise, carrier to sideband noise in hybrid application	TDA6650TT/C3; TDA6651TT/C3				
		$\pm 1\text{ kHz}$ frequency offset; $f_{comp} = 4\text{ MHz}$; see Figure 11 , 29 , and 30	80	85	-	dBc/Hz
		$\pm 10\text{ kHz}$ frequency offset; worst case in the frequency range; see Figure 12 , 29 , and 30	82	86	-	dBc/Hz
		$\pm 100\text{ kHz}$ frequency offset; worst case in the frequency range; see Figure 13 , 29 , and 30	104	107	-	dBc/Hz
RSC_{p-p}	ripple susceptibility of V_{CC} (peak-to-peak value)	$V_{CC} = 5\text{ V} \pm 5\%$; worst case in the frequency range; ripple frequency 500 kHz	[12] 15	40	-	mV
IF amplifier						
Z_o	output impedance	asymmetrical IF output				
		R_S at 38.9 MHz	-	50	-	Ω
		L_S at 38.9 MHz	-	5.4	-	nH
		symmetrical IF output	-	-	-	
		R_S at 38.9 MHz	-	100	-	Ω
		L_S at 38.9 MHz	-	10.4	-	nH

Rejection at the IF output (IF amplifier in asymmetrical mode)

Table 22. Characteristics...continued

$V_{CCA} = V_{CCD} = 5\text{ V}$; $T_{amb} = 25\text{ }^{\circ}\text{C}$; values are given for an asymmetrical IF output loaded with a $75\ \Omega$ load or with a symmetrical IF output loaded with $1.25\ \text{k}\Omega$; positive currents are entering the IC and negative currents are going out of the IC; the performances of the circuits are measured in the measurement circuits [Figure 27](#) and [28](#) for digital application or in the measurement circuits [Figure 29](#) and [30](#) for hybrid application; unless otherwise specified.

Symbol	Parameter	Conditions	Min	Typ	Max	Unit	
INT_{div}	divider interferences in IF level	worst case	[13]	-	-	20 dB μ V	
INT_{xtal}	crystal oscillator interferences rejection	$V_{IF} = 100\ \text{dB}\mu\text{V}$; worst case in the frequency range	[14]	-	-	-50 dBc	
$INT_{f(step)}$	step frequency rejection	measured in digital application for DVB-T; $f_{step} = 166.67\ \text{kHz}$; IF = 36.125 MHz	[15]	-	-	-50 dBc	
		TDA6650TT/C3; TDA6651TT/C3; TDA6650TT/C3/S2; TDA6651TT/C3/S2	-	-	-	-50 dBc	
		TDA6651TT/C3/S3	-	-	-	-35 dBc	
		measured in hybrid application for DVB-T; $f_{step} = 166.67\ \text{kHz}$; IF = 36.125 MHz	[15]	-	-	-	-57 dBc
		measured in hybrid application for PAL; $f_{step} = 62.5\ \text{kHz}$; IF = 38.9 MHz	[15]	-	-	-	-57 dBc
		measured in hybrid application for FM; $f_{step} = 50\ \text{kHz}$; IF = 38.9 MHz	[15]	-	-	-	-57 dBc
INT_{XTH}	crystal oscillator harmonics in the IF frequency		[16]	-	-	45 dB μ V	

AGC output (IF amplifier in asymmetrical mode): pin AGC[17]

$AGC_{TOP(p-p)}$	AGC take-over point (peak-to-peak level)	bits AL[2:0] = 000	122.5	124	125.5	dB μ V
$I_{source(fast)}$	source current fast		7.5	9.0	11.6	μ A
$I_{source(slow)}$	source current slow		185	220	280	nA
V_o	output voltage	maximum level				
		TDA6650TT/C3; TDA6651TT/C3; TDA6650TT/C3/S2; TDA6651TT/C3/S2	3.45	3.55	3.8	V
		TDA6651TT/C3/S3	3.3	3.55	3.8	V
		minimum level	0	-	0.1	V
$V_{o(dis)}$	output voltage with AGC disabled	bits AL[2:0] = 111				
		TDA6650TT/C3; TDA6651TT/C3; TDA6650TT/C3/S2; TDA6651TT/C3/S2	3.45	3.55	3.8	V
		TDA6651TT/C3/S3	3.3	3.55	3.8	V
$V_{RF(slip)}$	RF voltage range to switch the AGC from active to not active mode		-	-	0.5	dB
V_{RML}	low threshold AGC output voltage	AGC bit = 0 or AGC not active	0	-	2.8	V
V_{RMH}	high threshold AGC output voltage	AGC bit = 1 or AGC active	3.2	3.55	3.8	V
I_{LO}	leakage current	bits AL[2:0] = 110; $0\ \text{V} < V_{AGC} < 3.5\ \text{V}$	-50	-	+50	nA

[1] Important recommendation: to obtain the performances mentioned in this specification, the serial resistance of the crystal used with this oscillator must never exceed $120\ \Omega$. The crystal oscillator is guaranteed to operate at any supply voltage between 4.5 V and 5.5 V and at any temperature between $-20\text{ }^{\circ}\text{C}$ and $T_{amb(max)}$, as defined in [Section 10](#).

- [2] The drive level is expected with a 50 Ω series resistance of the crystal at series resonance. The drive level will be different with other series resistance values.
- [3] The V_{XTOUT} level is measured when the pin XTOUT is loaded with 5 kΩ in parallel with 10 pF.
- [4] The RF frequency range is defined by the oscillator frequency range and the Intermediate Frequency (IF).
- [5] The 1 % cross modulation performance is measured with AGC detector turned off (AGC bits set to 110).
- [6] Channel SO2 beat is the interfering product of f_{RFpix} , f_{IF} and f_{osc} of channel SO2; $f_{beat} = 37.35$ MHz. The possible mechanisms are: $f_{osc} - 2 \times f_{IFpix}$ or $2 \times f_{RFpix} - f_{osc}$.
- [7] The IF output signal stays stable within the range of the step frequency for any RF input level up to 120 dBμV.
- [8] $(N + 5) - 1$ MHz pulling is the input level of channel N + 5, at frequency 1 MHz lower, causing 100 kHz FM sidebands 30 dB below the wanted carrier.
- [9] Limits are related to the tank circuits used in [Figure 27](#) and [28](#) for digital application or [Figure 29](#) and [30](#) for hybrid application. Frequency bands may be adjusted by the choice of external components.
- [10] The frequency shift is defined as a change in oscillator frequency when the supply voltage varies from $V_{CC} = 5$ V to 4.5 V or from $V_{CC} = 5$ V to 5.25 V. The oscillator is free running during this measurement.
- [11] The frequency drift is defined as a change in oscillator frequency when the ambient temperature varies from $T_{amb} = 25$ °C to 50 °C or from $T_{amb} = 25$ °C to 0 °C. The oscillator is free running during this measurement.
- [12] The supply ripple susceptibility is measured in the measurement circuit according to [Figure 27](#), [28](#), [29](#) and [30](#) using a spectrum analyzer connected to the IF output. An unmodulated RF signal is applied to the test board RF input. A sine wave signal with a frequency of 500 kHz is superimposed onto the supply voltage. The amplitude of this ripple signal is adjusted to bring the 500 kHz sidebands around the IF carrier to a level of -53.5 dB with respect to the carrier.
- [13] This is the level of divider interferences close to the IF frequency. For example channel S3: $f_{osc} = 158.15$ MHz, $\frac{1}{4} f_{osc} = 39.5375$ MHz. The low and mid band inputs must be left open (i.e. not connected to any load or cable); the high band inputs are connected to an hybrid.
- [14] Crystal oscillator interference means the 4 MHz sidebands caused by the crystal oscillator.
- [15] The step frequency rejection is the level of step frequency sidebands (e.g. 166.67 kHz) related to the carrier.
- [16] This is the level of the 9th and 11th harmonics of the 4 MHz crystal oscillator into the IF output.
- [17] Pin AGC (pin 9 for TDA6650TT, pin 30 for TDA6651TT) must not be connected to a voltage higher than 3.6 V.

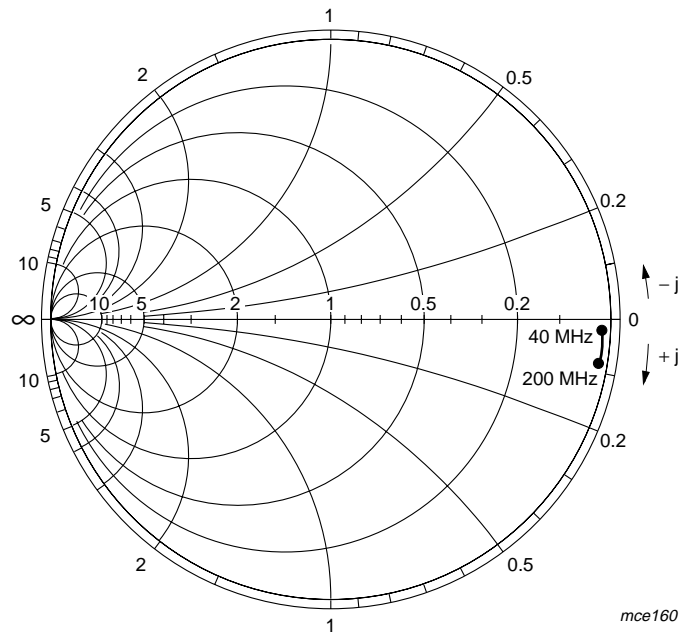


Fig 5. Input admittance (s_{11}) of the low band mixer (40 MHz to 200 MHz); $Y_0 = 20$ mS

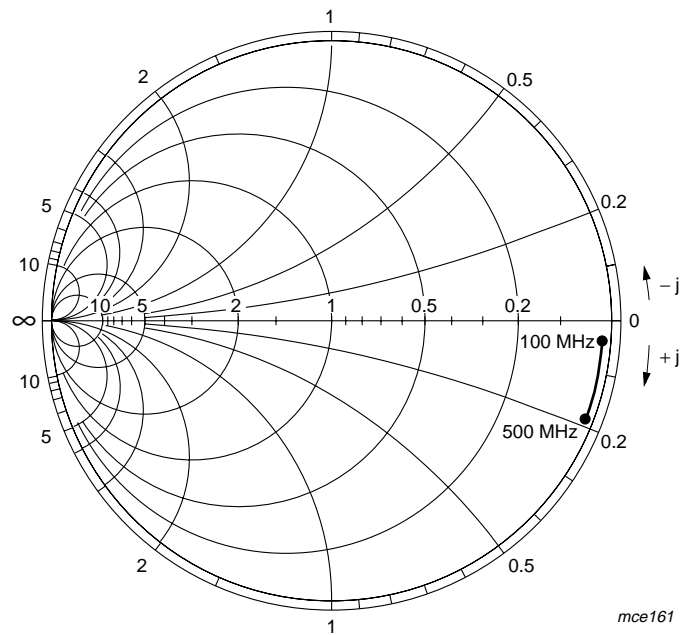


Fig 6. Input admittance (s_{11}) of the mid band mixer (100 MHz to 500 MHz); $Y_o = 20 \text{ mS}$

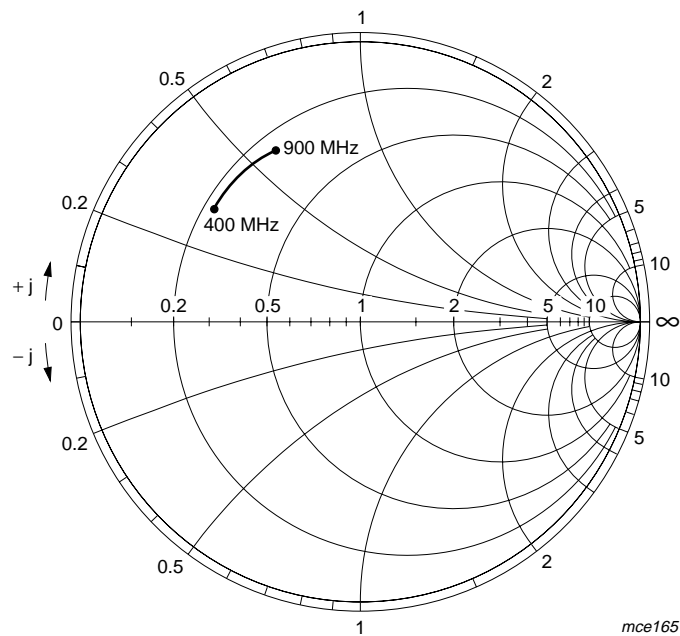
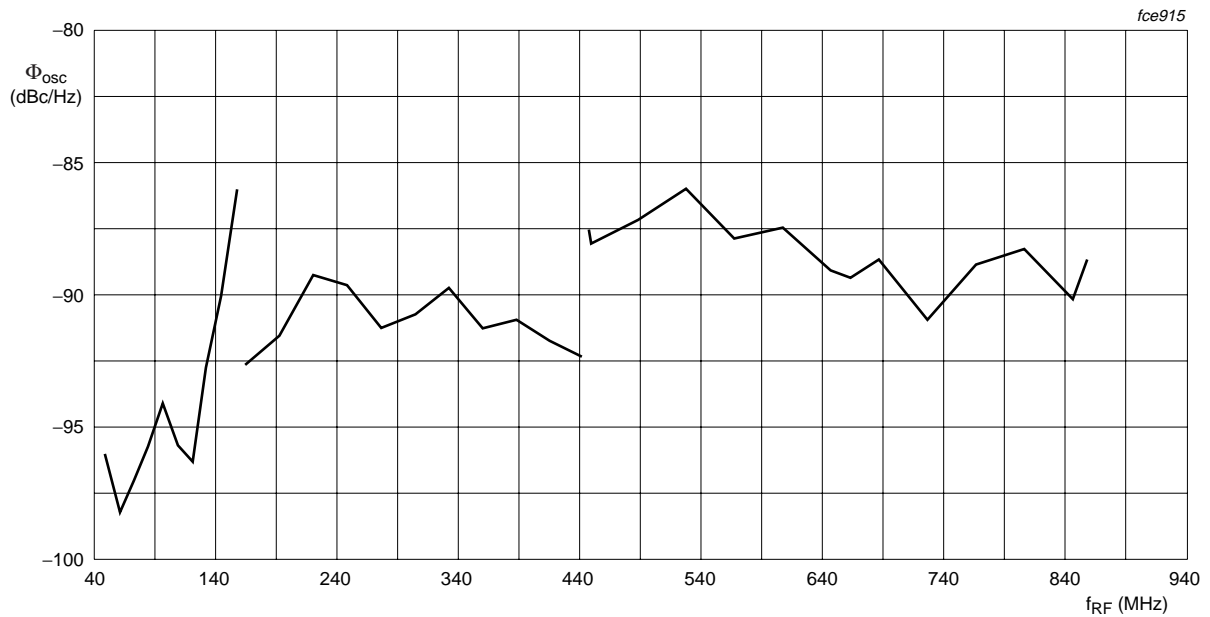
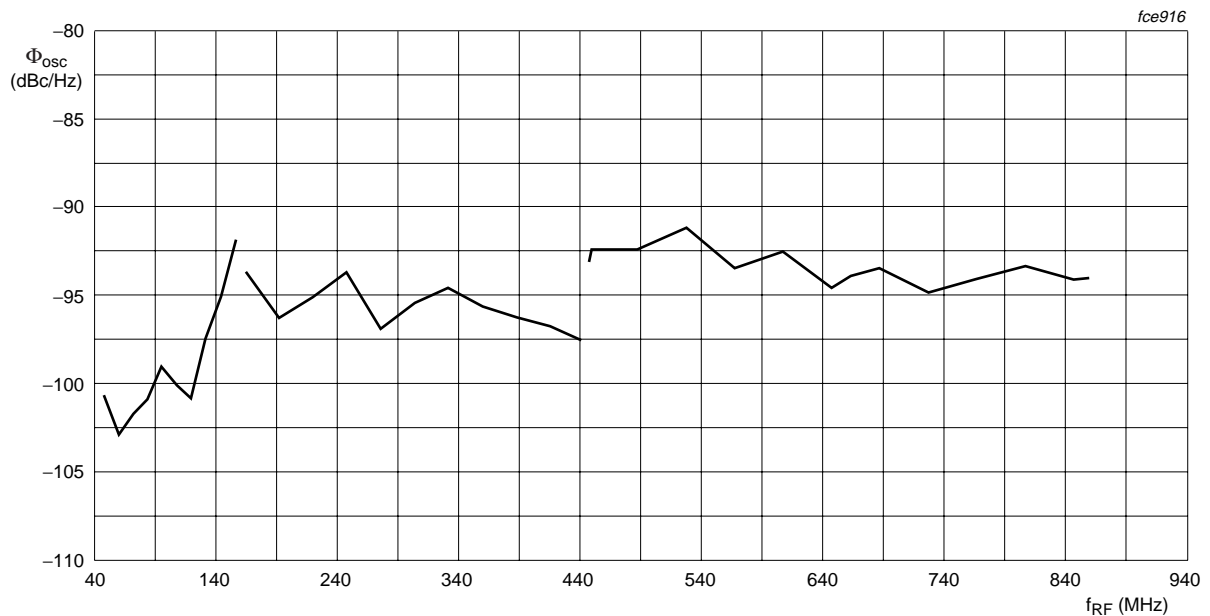


Fig 7. Input impedance (s_{11}) of the high band mixer (400 MHz to 900 MHz); $Z_o = 100 \Omega$



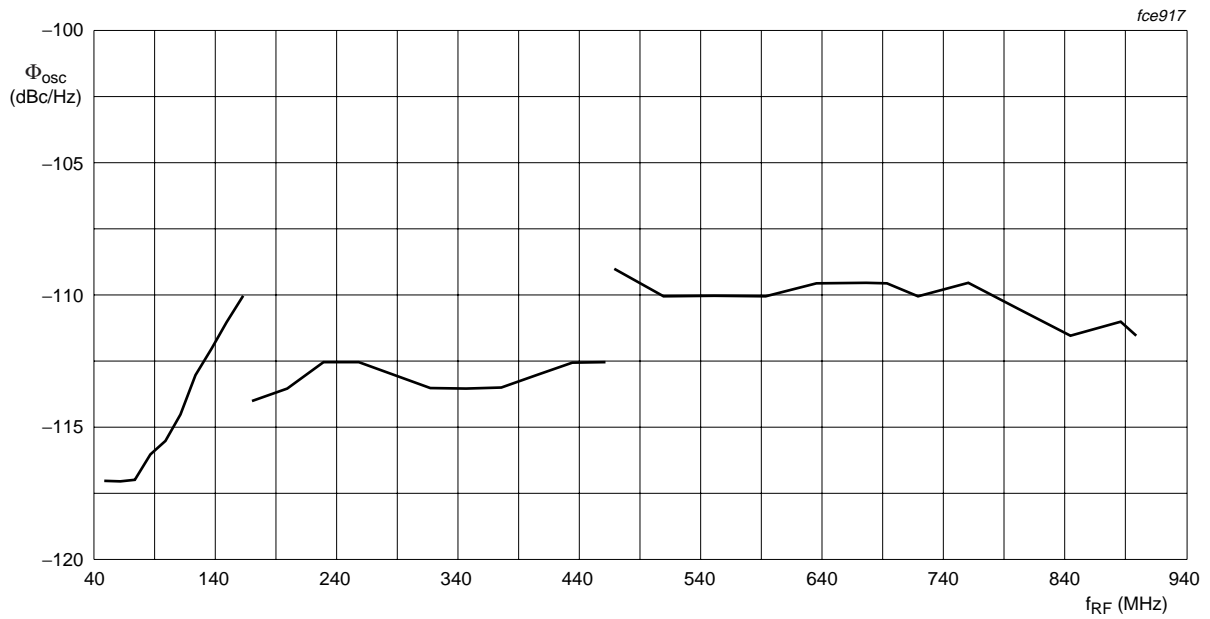
For measurement circuit see [Figure 27](#) and [28](#)

Fig 8. 1 kHz phase noise typical performance in digital application



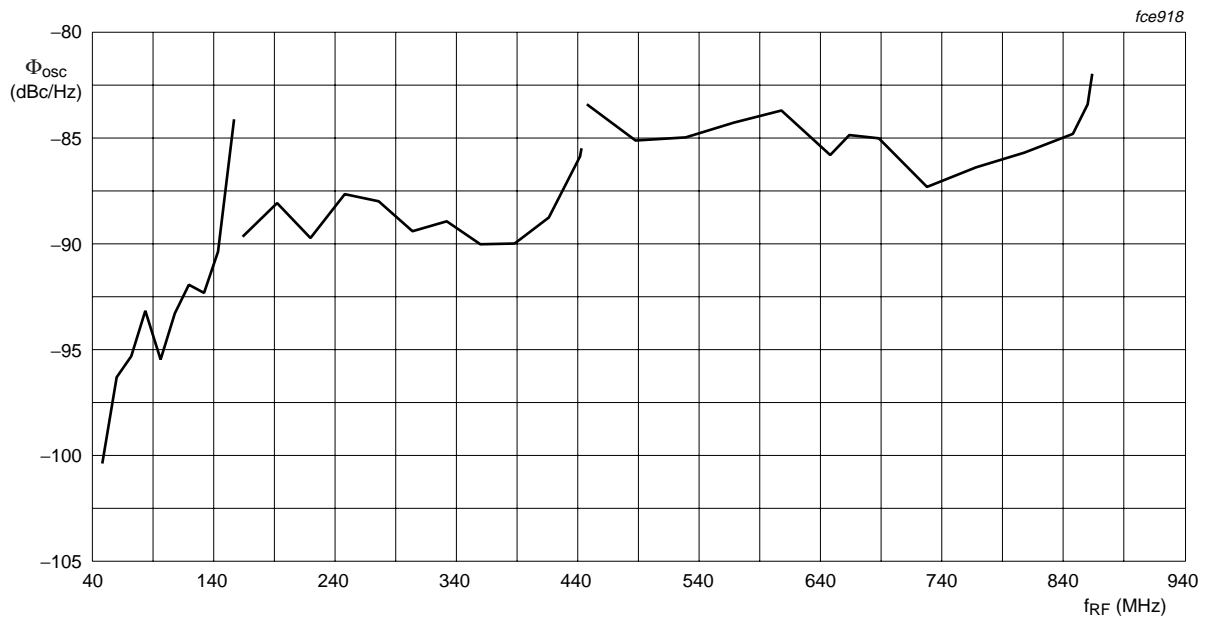
For measurement circuit see [Figure 27](#) and [28](#)

Fig 9. 10 kHz phase noise typical performance in digital application



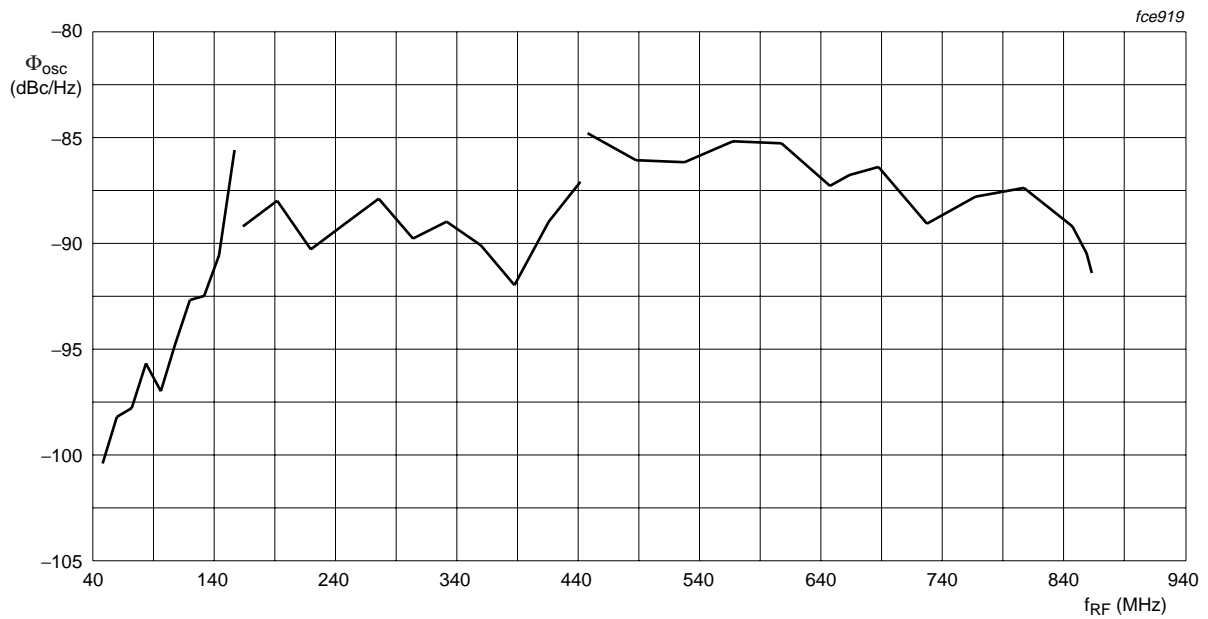
For measurement circuit see [Figure 27](#) and [28](#)

Fig 10. 100 kHz phase noise typical performance in digital application



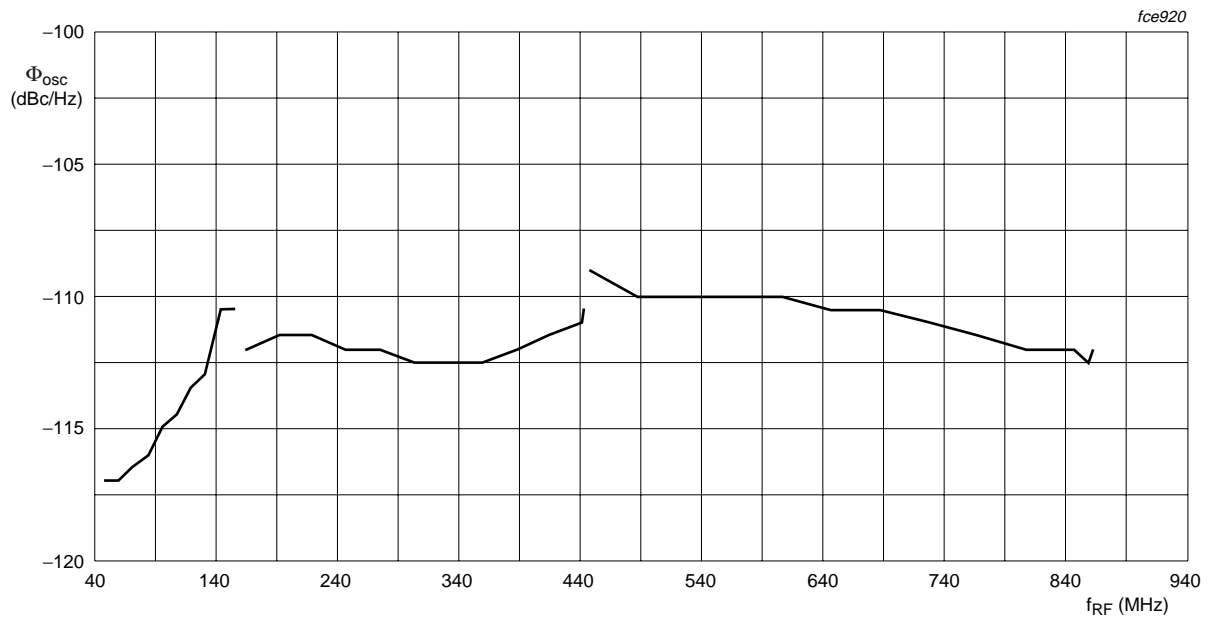
For measurement circuit see [Figure 29](#) and [30](#)

Fig 11. 1 kHz phase noise typical performance in hybrid application



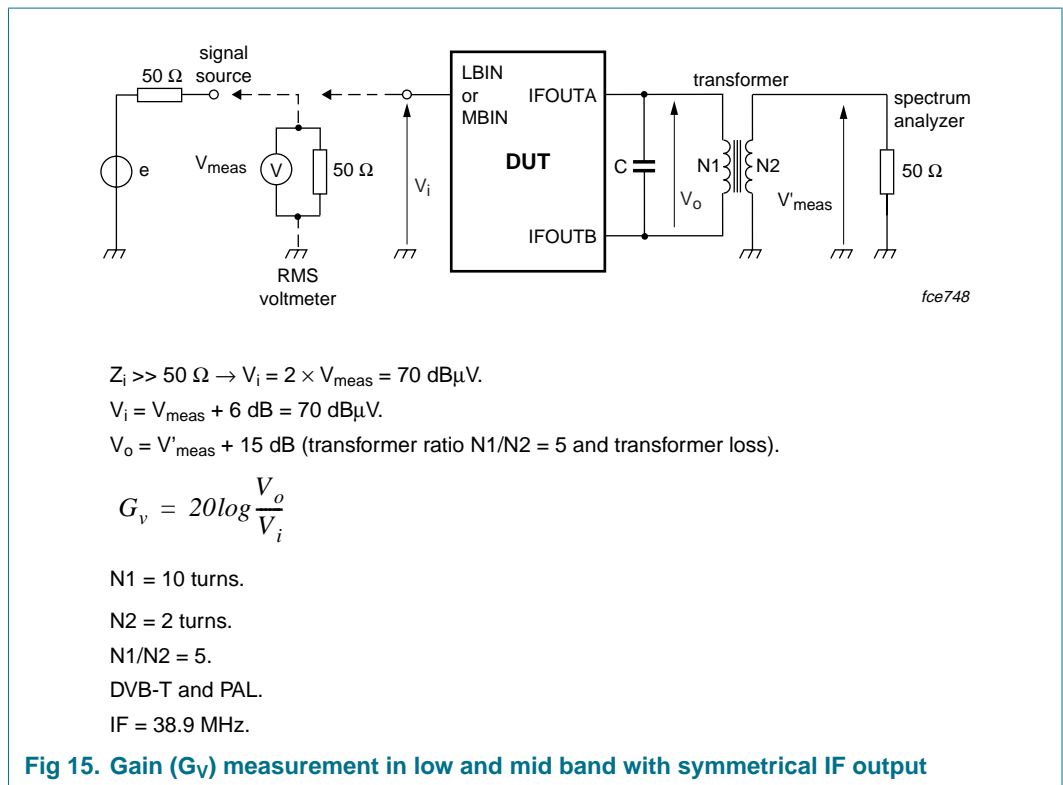
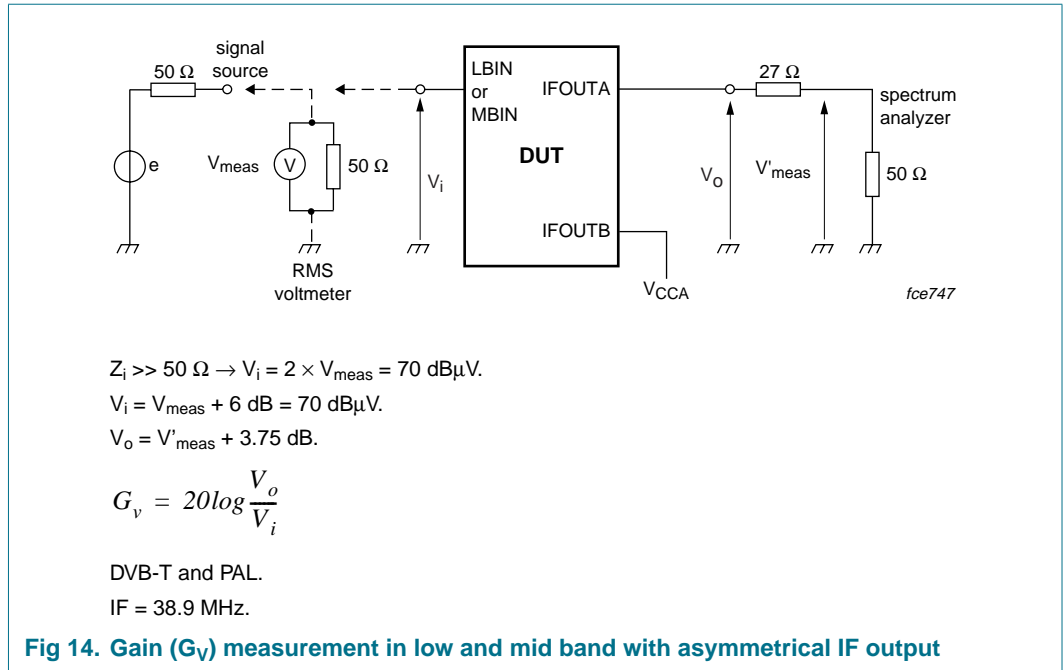
For measurement circuit see [Figure 29](#) and [30](#)

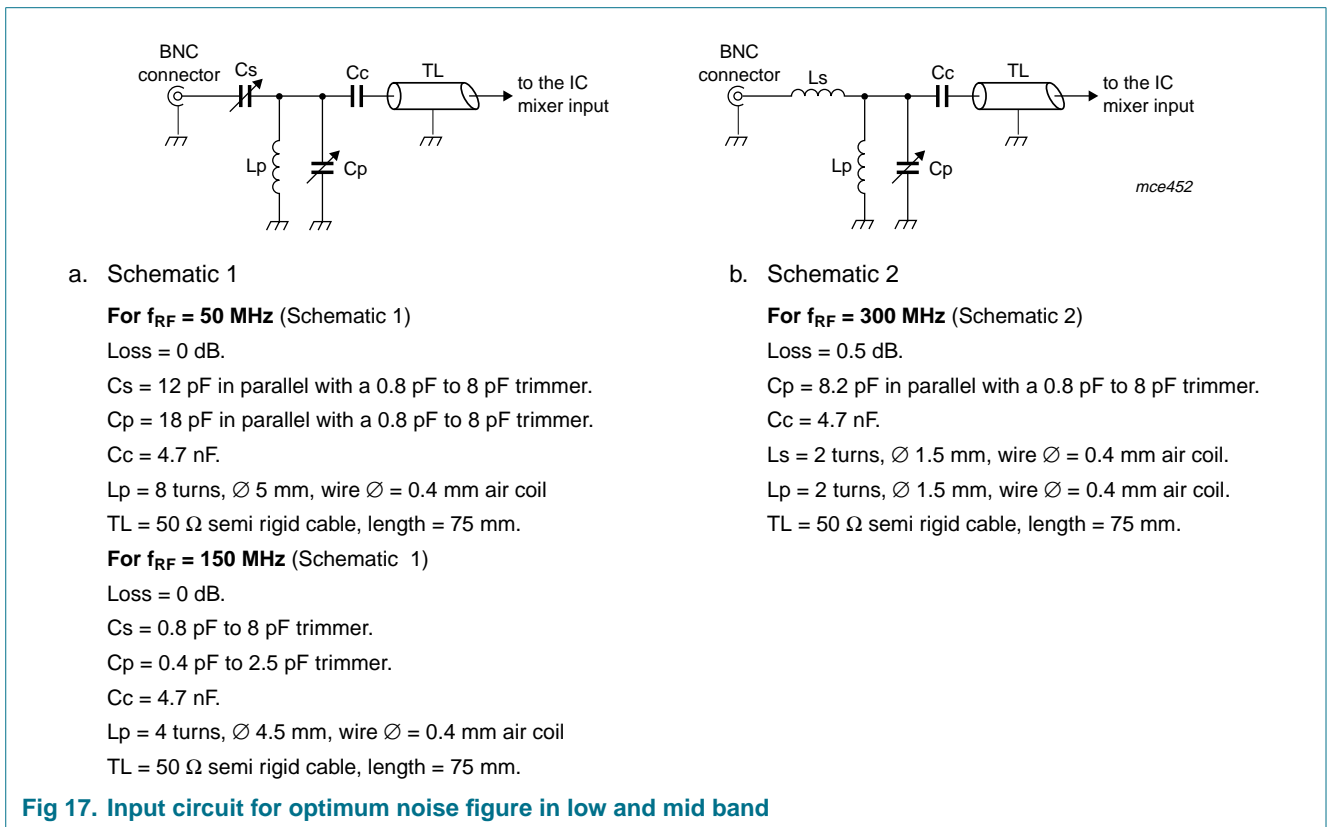
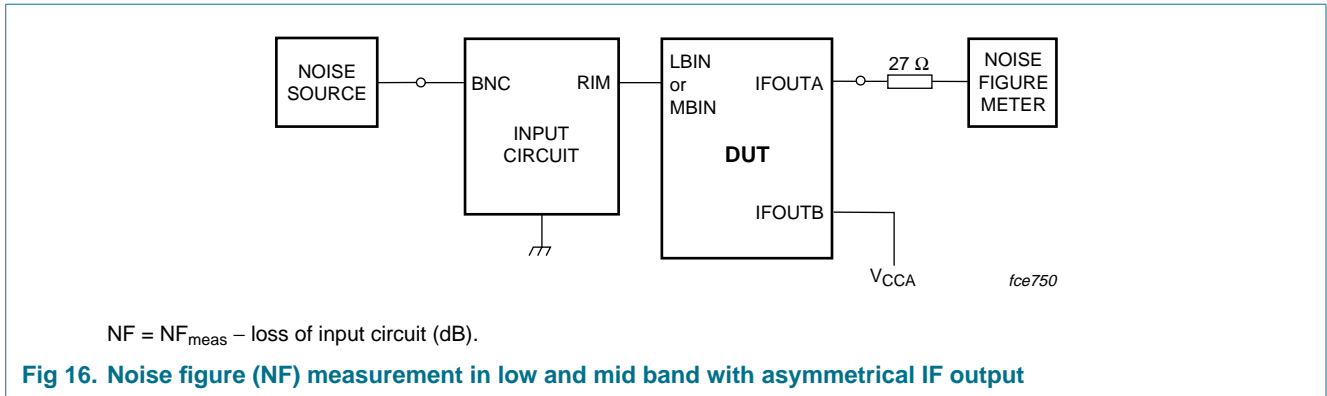
Fig 12. 10 kHz phase noise typical performance in hybrid application

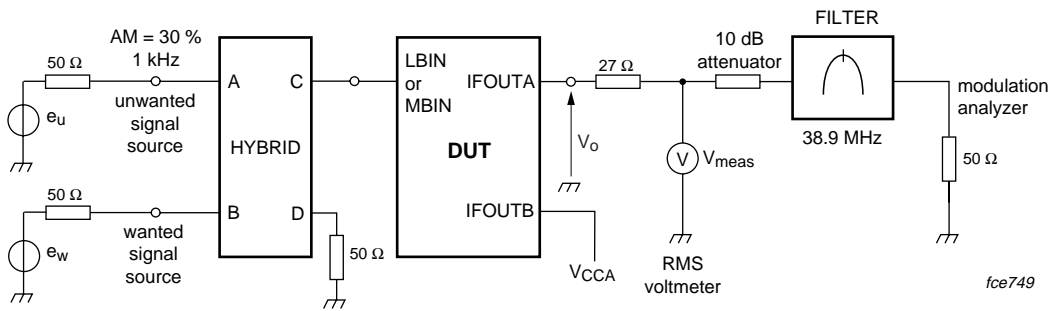


For measurement circuit see [Figure 29](#) and [30](#)

Fig 13. 100 kHz phase noise typical performance in hybrid application







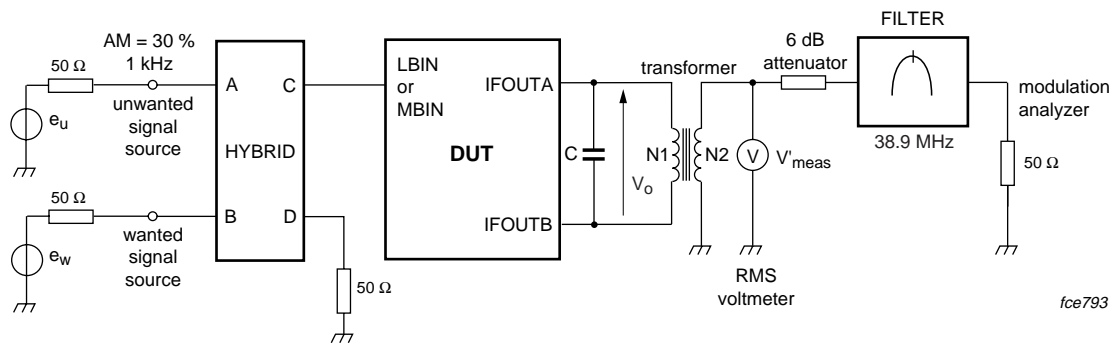
$V_o = V_{meas} + 3.75 \text{ dB.}$

Wanted signal source at f_{RFpix} is $80 \text{ dB}\mu\text{V.}$

Unwanted output signal at $f_{snd}.$

The level of unwanted signal is measured by causing 0.3 % AM modulation in the wanted signal.

Fig 18. Cross modulation measurement in low and mid band with asymmetrical IF output



$V'_{meas} = V_o - (\text{transformer ratio } N1/N2 = 5 \text{ and loss}).$

Wanted signal source at f_{RFpix} is $80 \text{ dB}\mu\text{V.}$

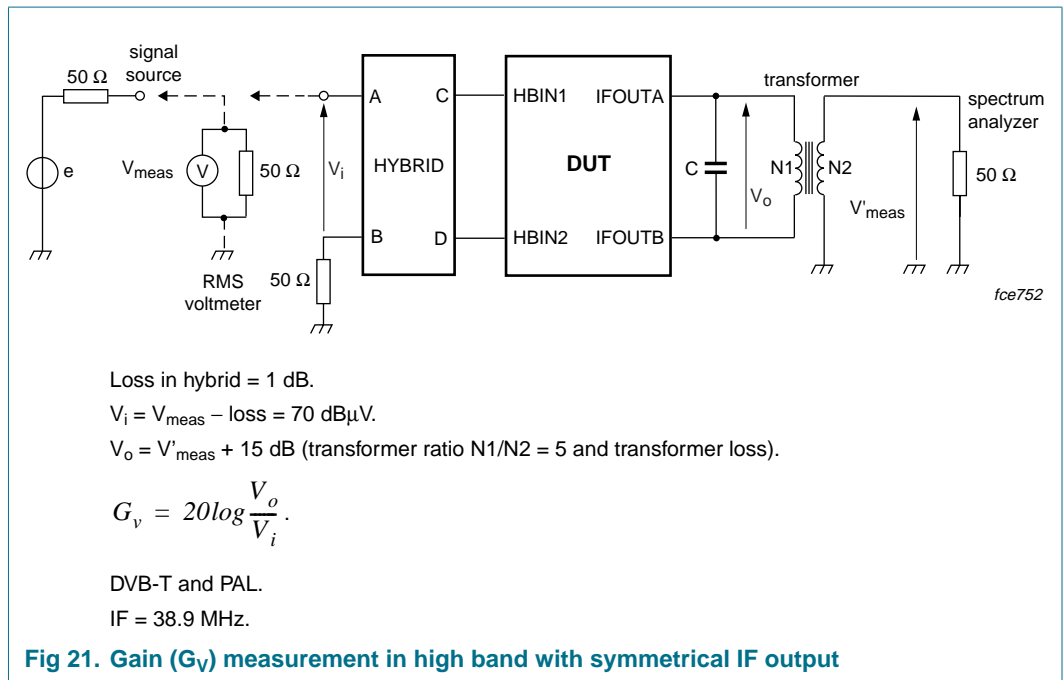
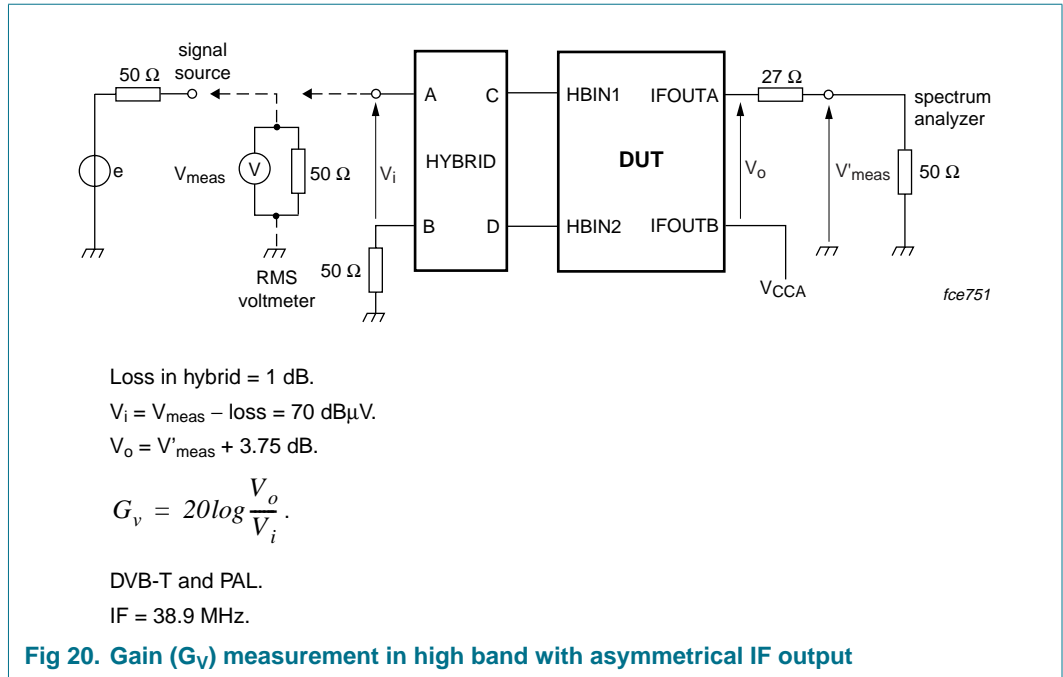
The level of unwanted signal V_o at f_{snd} is measured by causing 0.3 % AM modulation in the wanted output signal.

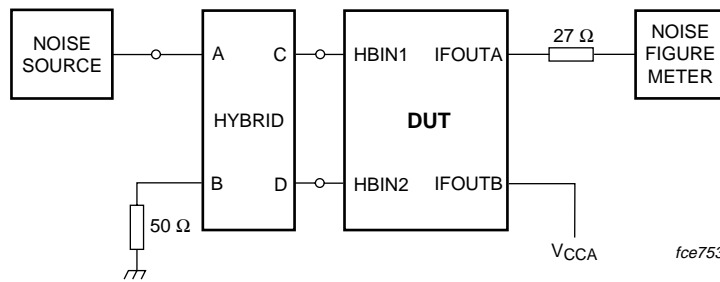
$N1 = 10 \text{ turns.}$

$N2 = 2 \text{ turns.}$

$N1/N2 = 5.$

Fig 19. Cross modulation measurement in low and mid band with symmetrical IF output

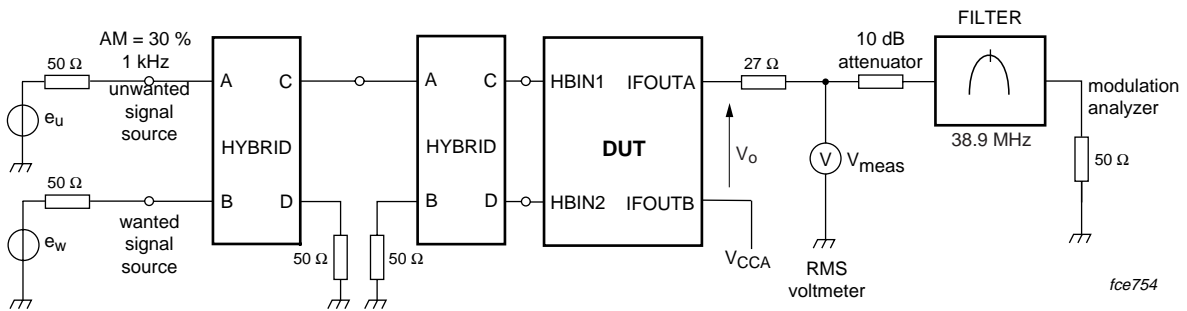




Loss in hybrid = 1 dB.

$$NF = NF_{\text{meas}} - \text{loss.}$$

Fig 22. Noise figure (NF) measurement in high band with asymmetrical IF output

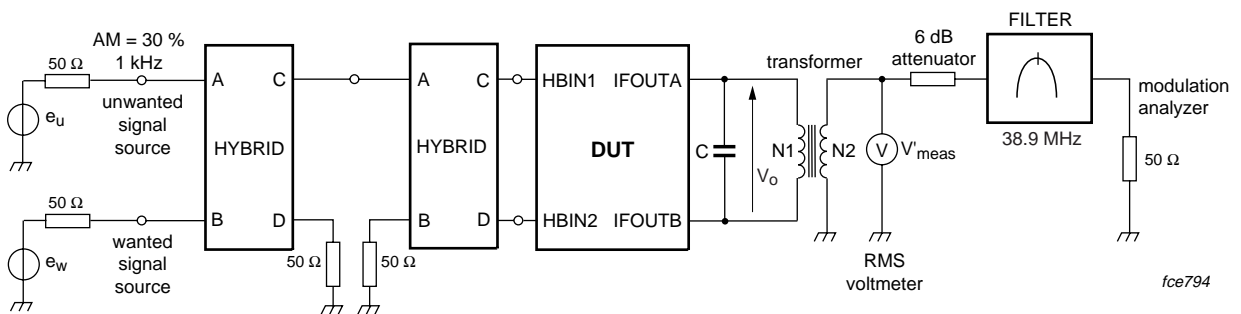


Wanted signal source at f_{RFpix} is 70 dB μ V.

Unwanted output signal at f_{snd} .

The level of unwanted signal is measured by causing 0.3 % AM modulation in the wanted signal.

Fig 23. Cross modulation measurement in high band with asymmetrical IF output



$$V'_{\text{meas}} = V_o - (\text{transformer ratio } N1/N2 = 5 \text{ and loss})$$

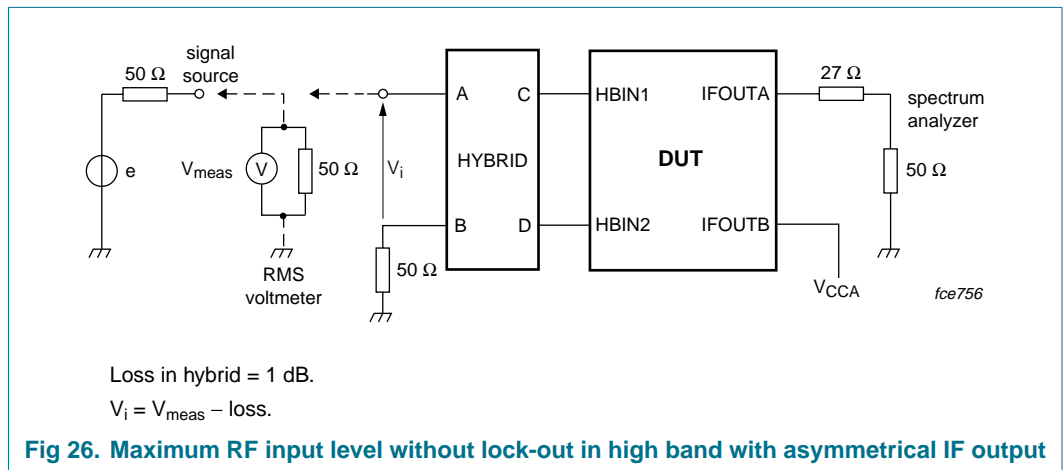
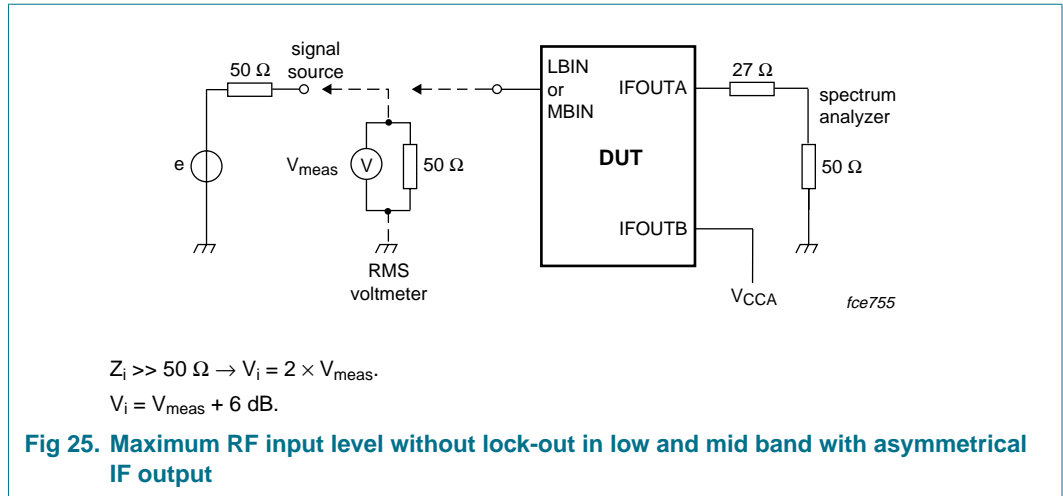
The level of unwanted signal is measured by causing 0.3 % AM modulation in the wanted signal.

$N1 = 10$ turns.

$N2 = 2$ turns.

$N1/N2 = 5$.

Fig 24. Cross modulation measurement in high band with symmetrical IF output



12.1 PLL loop stability of measurement circuit

The TDA6650TT; TDA6651TT PLL loop stability is guaranteed in the configuration of [Figure 27](#), [28](#), [29](#) and [30](#). In this configuration, the external supply source is 30 V minimum, the pull-up resistor R19 is 15 kΩ and all of the local oscillators are aligned to operate at a maximum tuning voltage of 26 V. If the configuration is changed, there might be an impact on the loop stability.

For any other configurations, a stability analysis must be performed. The conventional PLL AC model used for the stability analysis, is valid provided the external source (DC supply source or DC-to-DC converter) is able to deliver a minimum current that is equal to the charge pump current in use.

The delivered current can be simply calculated with the following formula:

$$I_{delivered} = \left(\frac{V_{DC} - V_T}{R_{pu}} \right) > I_{CP} \quad (1)$$

where:

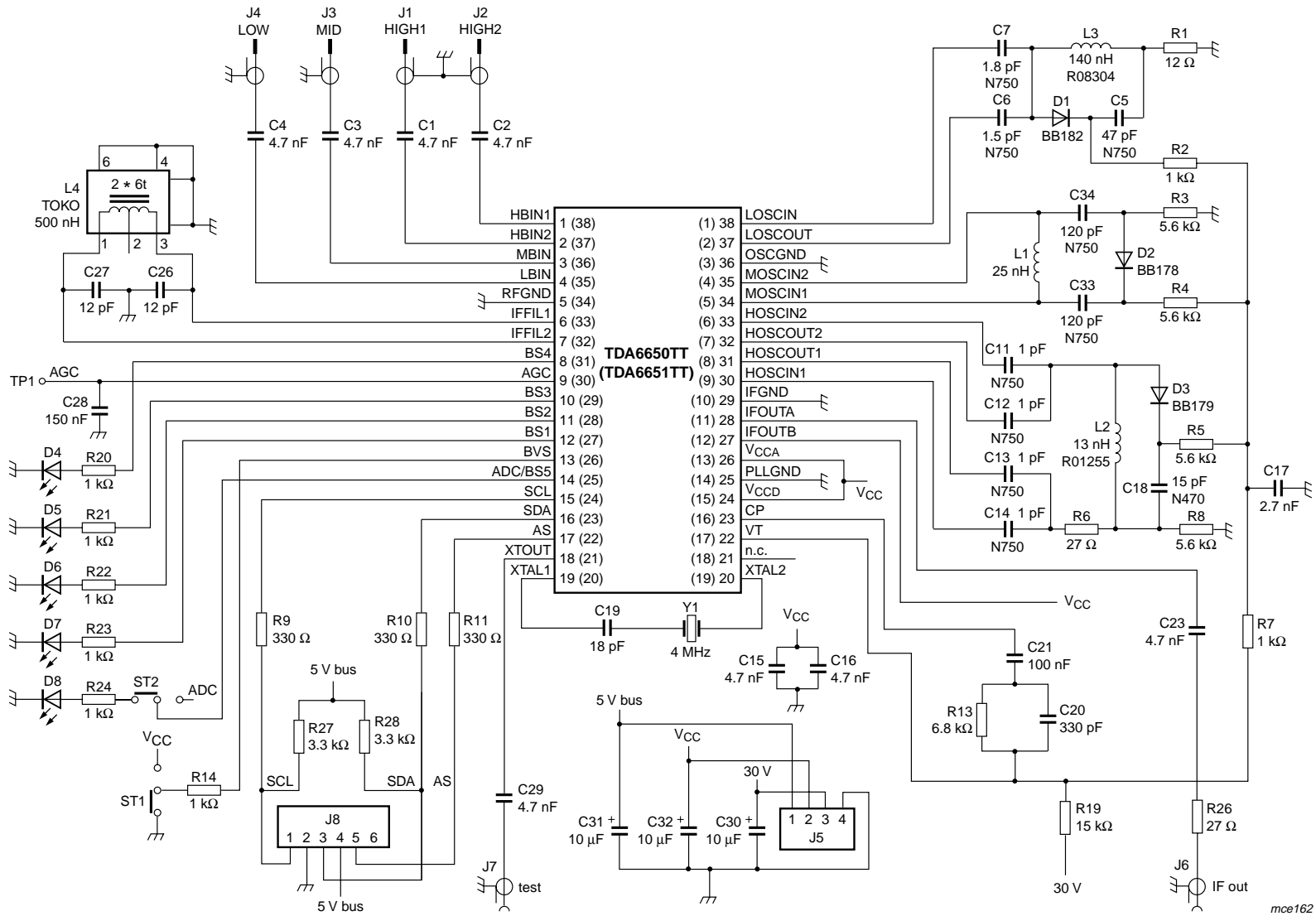
$I_{delivered}$ is the delivered current.

V_{DC} is the supply source voltage or DC-to-DC converter output voltage.

V_T is the tuning voltage.

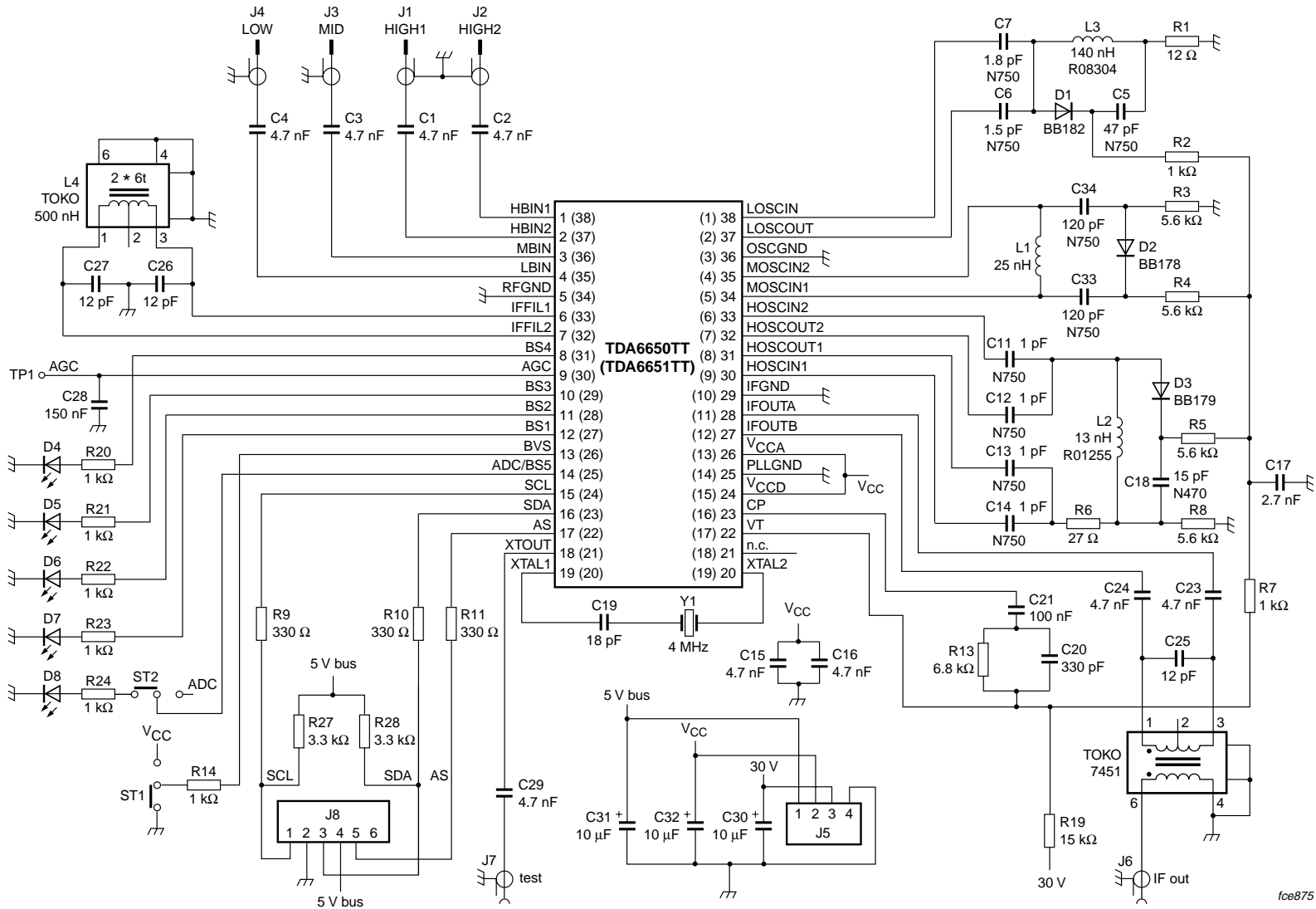
R_{pu} is the pull-up resistor between the DC supply source (or the DC-to-DC converter output) and the tuning line (R19 in [Figure 27](#) to [30](#)).

I_{CP} is the charge pump current in use.



The pin numbers in parenthesis represent the TDA6651TT.

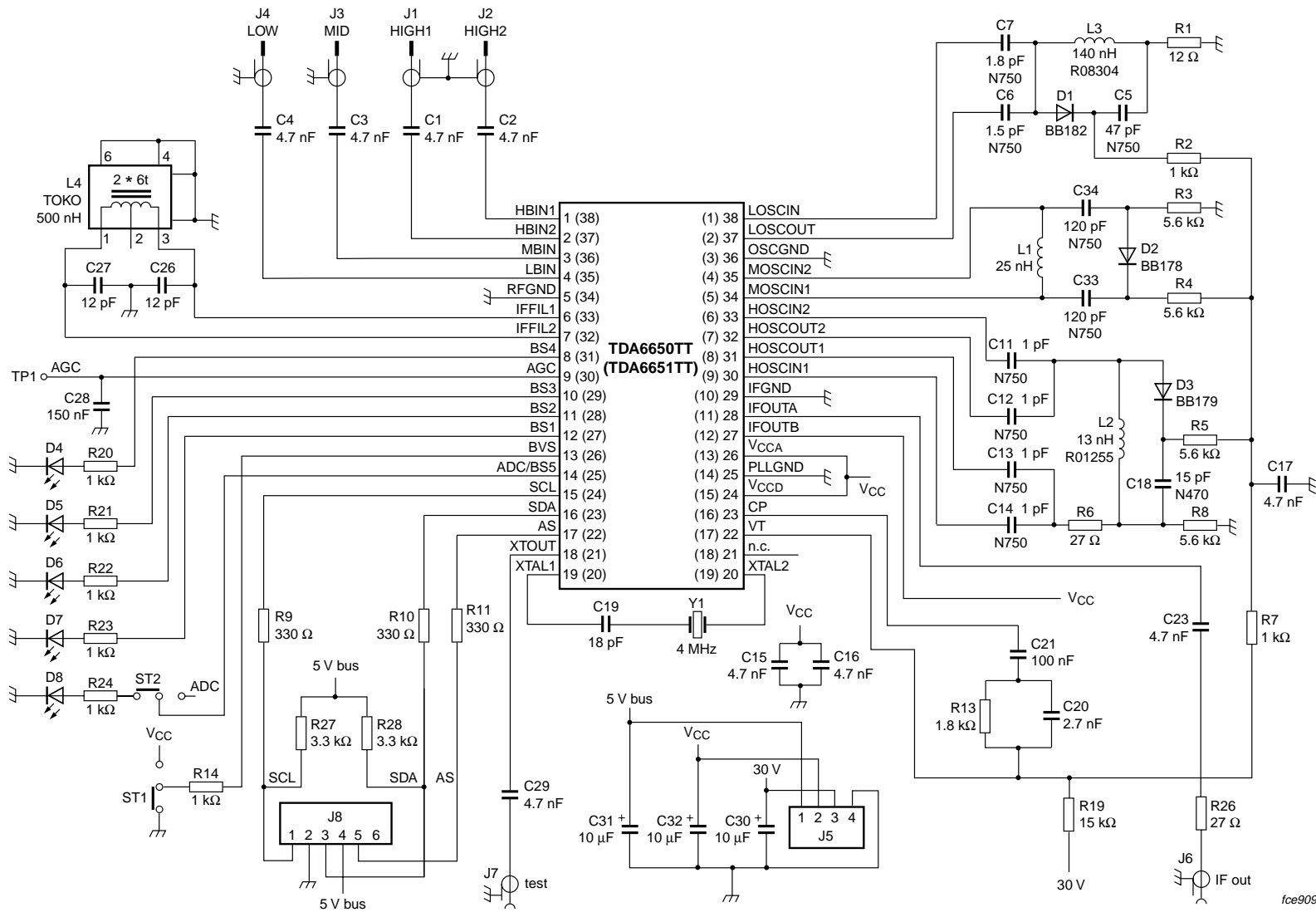
Fig 27. Measurement circuit for digital application, with asymmetrical IF output and DVB-T compliant loop filter



fce875

The pin numbers in parenthesis represent the TDA6651TT.

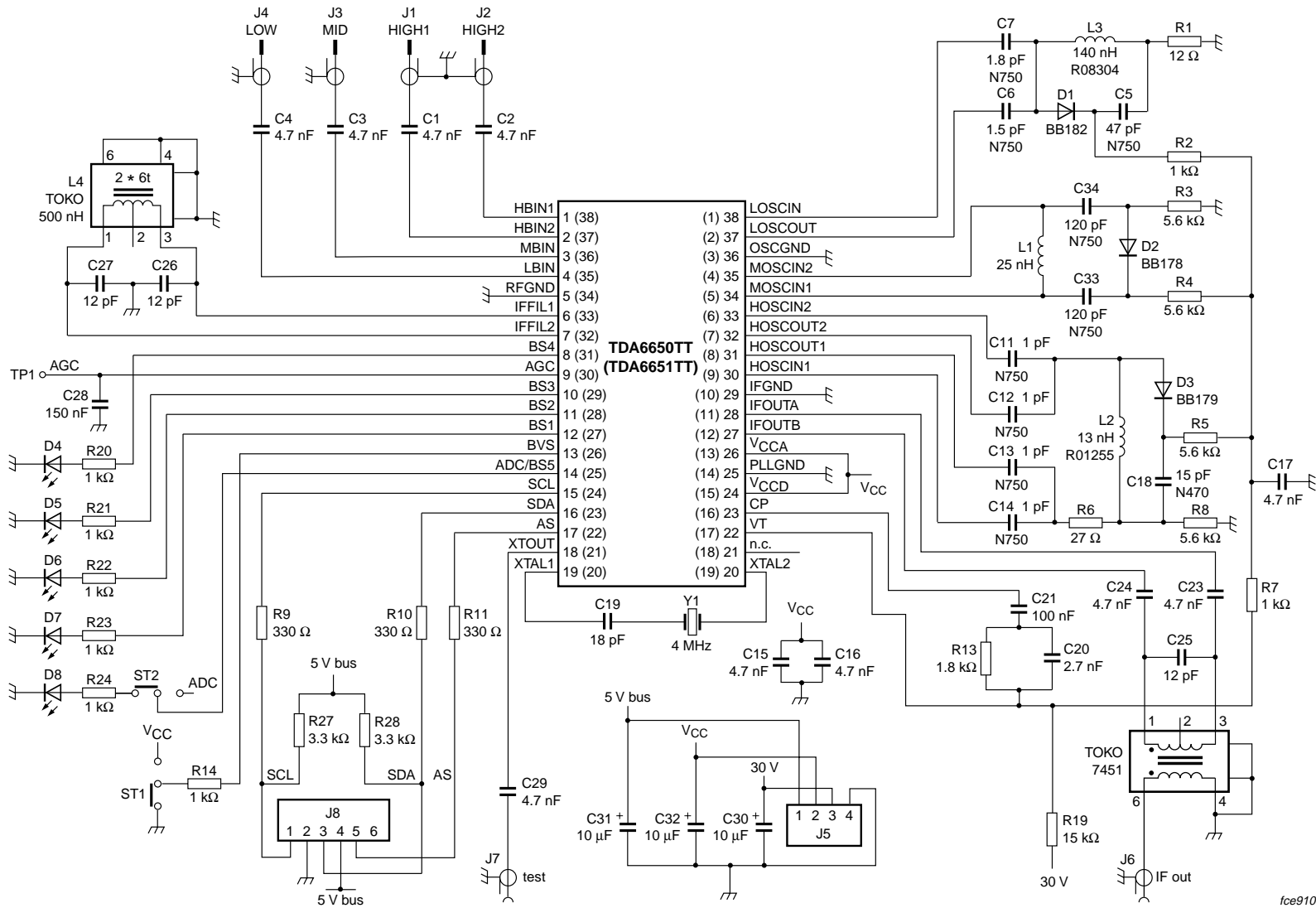
Fig 28. Measurement circuit for digital application, with symmetrical IF output and DVB-T compliant loop filter



fce909

The pin numbers in parenthesis represent the TDA6651TT.

Fig 29. Measurement circuit for hybrid application, with asymmetrical IF output and loop filter for PAL and DVB-T standards



ice910

The pin numbers in parenthesis represent the TDA6651TT.

Fig 30. Measurement circuit for hybrid application, with symmetrical IF output and loop filter for PAL and DVB-T standards

13. Application information

13.1 Tuning amplifier

The tuning amplifier is capable of driving the varicap voltage without an external transistor. The tuning voltage output must be connected to an external load of 15 k Ω which is connected to the tuning voltage supply rail. The loop filter design depends on the oscillator characteristics and the selected reference frequency as well as the required PLL loop bandwidth.

Applications with the TDA6650TT; TDA6651TT have a large loop bandwidth, in the order of a few tens of kHz. The calculation of the loop filter elements has to be done for each application, it depends on the reference frequency and charge pump current.

13.2 Crystal oscillator

The TDA6650TT; TDA6651TT needs to be used with a 4 MHz crystal in series with a capacitor with a typical value of 18 pF, connected between pin XTAL1 and pin XTAL2. NXP crystal 4322 143 04093 is recommended. When choosing a crystal, take care to select a crystal able to withstand the drive level of the TDA6650TT; TDA6651TT without suffering from accelerated ageing. For optimum performances, it is highly recommended to connect the 4 MHz crystal without any serial resistance.

The crystal oscillator of the TDA6650TT; TDA6651TT should not be driven (forced) from an external signal.

Do not use the signal on pin XTAL1 or pin XTAL2, or the signal present on the crystal, to drive an external IC or for any other use as this may dramatically degrade the phase noise performance of the TDA6650TT; TDA6651TT.

13.3 Examples of I²C-bus program sequences

[Table 23](#) to [30](#) show various sequences where:

S = START

A = acknowledge

P = STOP.

The following conditions apply:

LO frequency is 800 MHz

$f_{\text{comp}} = 166.666$ kHz

Divider ratio (programmable) $N = 4800$

BS3 output port is on and all other ports are off: thus the high band is selected

Charge pump current $I_{\text{CP}} = 280$ μA

Normal mode, with XTOUT buffer on

$I_{\text{AGC}} = 220$ nA

AGC take-over point is set to 112 dB μV (p-p)

Address selection is adjusted to make address C2 valid.

To fully program the device, either sequence of [Table 23](#) or [24](#) can be used, while other arrangements of the bytes are also possible.

Table 23. Complete sequence 1

Start	Address byte		Divider byte 1		Divider byte 2		Control byte 1 ^[1]		Control byte 2		Control byte 1 ^[2]		Stop
S	C2	A	12	A	C0	A	CA	A	A4	A	84	A	P

[1] Control byte 1 with bit T/A = 1, to program test bits T2, T1 and T0 and reference divider ratio bits R2, R1 and R0.

[2] Control byte 1 with bit T/A = 0, to program AGC time constant bit ATC and AGC take-over point bits AL2, AL1 and AL0.

Table 24. Complete sequence 2

Start	Address byte		Control byte 1 ^[1]		Control byte 2		Divider byte 1		Divider byte 2		Control byte 1 ^[2]		Stop
S	C2	A	CA	A	A4	A	12	A	C0	A	84	A	P

[1] Control byte 1 with bit T/A = 1, to program test bits T2, T1 and T0 and reference divider ratio bits R2, R1 and R0.

[2] Control byte 1 with bit T/A = 0, to program AGC time constant bit ATC and AGC take-over point bits AL2, AL1 and AL0.

Table 25. Sequence to program only the main divider ratio

Start	Address byte		Divider byte 1		Divider byte 2		Stop
S	C2	A	12	A	C0	A	P

Table 26. Sequence to change the charge pump current, the ports and the test mode. If the reference divider ratio is changed, it is necessary to send the DB1 and DB2 bytes

Start	Address byte		Control byte 1 ^[1]		Control byte 2		Stop
S	C2	A	CA	A	A4	A	P

[1] Control byte 1 with bit T/A = 1, to program test bits T2, T1 and T0 and reference divider ratio bits R2, R1 and R0.

Table 27. Sequence to change the test mode. If the reference divider ratio is changed, it is necessary to send the DB1 and DB2 bytes

Start	Address byte		Control byte 1 ^[1]		Stop
S	C2	A	CA	A	P

[1] Control byte 1 with bit T/A = 1, to program test bits T2, T1 and T0 and reference divider ratio bits R2, R1 and R0.

Table 28. Sequence to change the charge pump current, the ports and the AGC data

Start	Address byte		Control byte 1 ^[1]		Control byte 2		Stop
S	C2	A	82	A	A4	A	P

[1] Control byte 1 with bit T/A = 0, to program AGC time constant bit ATC and AGC take-over point bits AL2, AL1 and AL0.

Table 29. Sequence to change only the AGC data

Start	Address byte		Control byte 1 ^[1]		Stop
S	C2	A	84	A	P

[1] Control byte 1 with bit T/A = 0, to program AGC time constant bit ATC and AGC take-over point bits AL2, AL1 and AL0.

Table 30. Sequence to program the main divider, the ALBC on and the test modes in normal mode with XTOUT buffer off

Start	Address byte		Divider byte 1		Divider byte 2		Control byte 1 ^[1]		Control byte 2		Control byte 1		Stop
S	C2	A	12	A	C0	A	DA	A	00	A	C2	A	P

[1] Control byte 1 with bit T/A = 1, to program test bits T2, T1 and T0 and reference divider ratio bits R2, R1 and R0.

14. Package outline

TSSOP38: plastic thin shrink small outline package; 38 leads; body width 4.4 mm; lead pitch 0.5 mm

SOT510-1

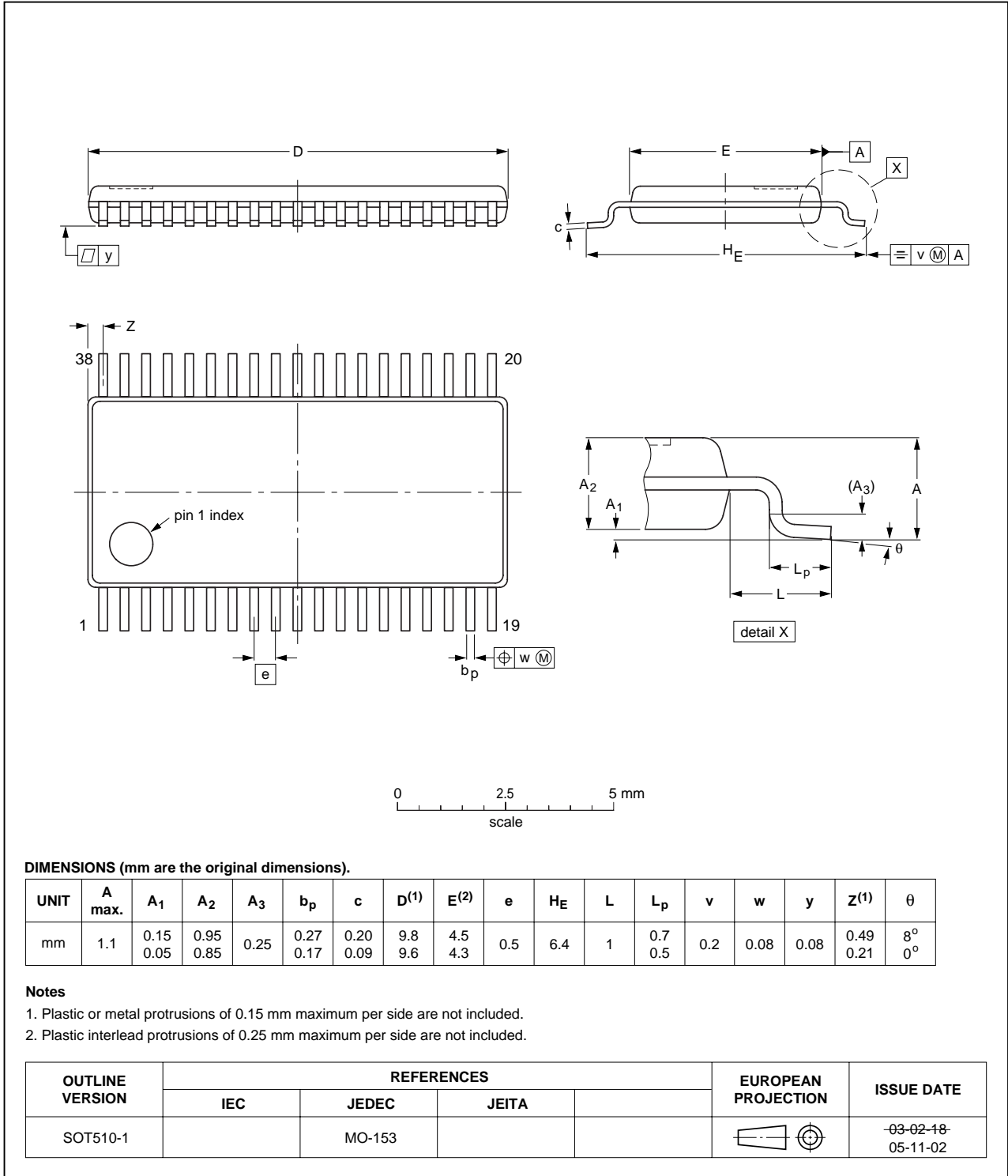


Fig 31. Package outline SOT510-1 (TSSOP38)

15. Handling information

Inputs and outputs are protected against electrostatic discharge in normal handling. However, to be completely safe you must take normal precautions appropriate to handling integrated circuits.

16. Soldering

This text provides a very brief insight into a complex technology. A more in-depth account of soldering ICs can be found in Application Note *AN10365 "Surface mount reflow soldering description"*.

16.1 Introduction to soldering

Soldering is one of the most common methods through which packages are attached to Printed Circuit Boards (PCBs), to form electrical circuits. The soldered joint provides both the mechanical and the electrical connection. There is no single soldering method that is ideal for all IC packages. Wave soldering is often preferred when through-hole and Surface Mount Devices (SMDs) are mixed on one printed wiring board; however, it is not suitable for fine pitch SMDs. Reflow soldering is ideal for the small pitches and high densities that come with increased miniaturization.

16.2 Wave and reflow soldering

Wave soldering is a joining technology in which the joints are made by solder coming from a standing wave of liquid solder. The wave soldering process is suitable for the following:

- Through-hole components
- Leaded or leadless SMDs, which are glued to the surface of the printed circuit board

Not all SMDs can be wave soldered. Packages with solder balls, and some leadless packages which have solder lands underneath the body, cannot be wave soldered. Also, leaded SMDs with leads having a pitch smaller than ~0.6 mm cannot be wave soldered, due to an increased probability of bridging.

The reflow soldering process involves applying solder paste to a board, followed by component placement and exposure to a temperature profile. Leaded packages, packages with solder balls, and leadless packages are all reflow solderable.

Key characteristics in both wave and reflow soldering are:

- Board specifications, including the board finish, solder masks and vias
- Package footprints, including solder thieves and orientation
- The moisture sensitivity level of the packages
- Package placement
- Inspection and repair
- Lead-free soldering versus PbSn soldering

16.3 Wave soldering

Key characteristics in wave soldering are:

- Process issues, such as application of adhesive and flux, clinching of leads, board transport, the solder wave parameters, and the time during which components are exposed to the wave
- Solder bath specifications, including temperature and impurities

16.4 Reflow soldering

Key characteristics in reflow soldering are:

- Lead-free versus SnPb soldering; note that a lead-free reflow process usually leads to higher minimum peak temperatures (see [Figure 32](#)) than a PbSn process, thus reducing the process window
- Solder paste printing issues including smearing, release, and adjusting the process window for a mix of large and small components on one board
- Reflow temperature profile; this profile includes preheat, reflow (in which the board is heated to the peak temperature) and cooling down. It is imperative that the peak temperature is high enough for the solder to make reliable solder joints (a solder paste characteristic). In addition, the peak temperature must be low enough that the packages and/or boards are not damaged. The peak temperature of the package depends on package thickness and volume and is classified in accordance with [Table 31](#) and [32](#)

Table 31. SnPb eutectic process (from J-STD-020C)

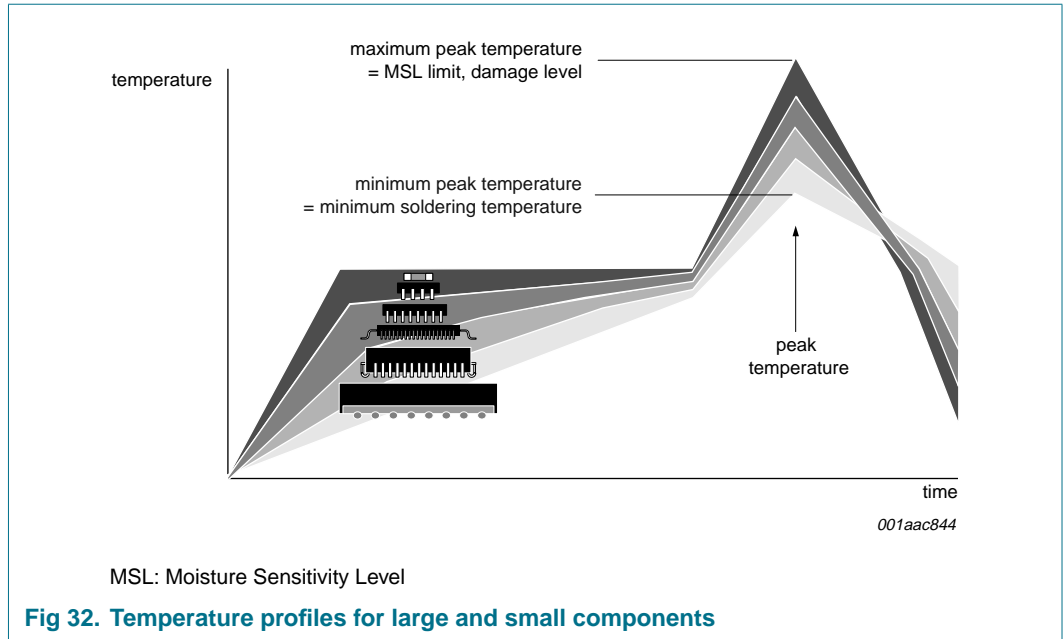
Package thickness (mm)	Package reflow temperature (°C)	
	Volume (mm ³)	
	< 350	≥ 350
< 2.5	235	220
≥ 2.5	220	220

Table 32. Lead-free process (from J-STD-020C)

Package thickness (mm)	Package reflow temperature (°C)		
	Volume (mm ³)		
	< 350	350 to 2000	> 2000
< 1.6	260	260	260
1.6 to 2.5	260	250	245
> 2.5	250	245	245

Moisture sensitivity precautions, as indicated on the packing, must be respected at all times.

Studies have shown that small packages reach higher temperatures during reflow soldering, see [Figure 32](#).



For further information on temperature profiles, refer to Application Note AN10365 “Surface mount reflow soldering description”.

17. Abbreviations

Table 33. Abbreviations

Acronym	Description
ADC	Analog to Digital Converter
AGC	Automatic Gain Control
ALBC	Automatic Loop Bandwidth Control
DVB-T	Digital Video Broadcasting TV
I ² C-bus	Inter-Integrated Circuit bus
IF	Intermediate Frequency
LO	Local Oscillator
LSB	Least Significant Bit
MOPLL	Mixer Oscillator Phase-Locked Loop
MSB	Most Significant Bit
OFDM	Orthogonal Frequency Division Multiplexing
PAL	Phase Alternation Line
PLL	Phase-Locked Loop
PMOS	Positive Channel Metal Oxide Semiconductor
QAM	Quadrature Amplitude Modulation
VCO	Voltage Controlled Oscillator
VCR	Video Cassette Recorder

18. Revision history

Table 34. Revision history

Document ID	Release date	Data sheet status	Change notice	Supersedes
TDA6650TT_6651TT_5	20070110	Product data sheet	-	TDA6650TT_6651TT_4
Modifications:		<ul style="list-style-type: none"> The format of this data sheet has been redesigned to comply with the new identity guidelines of NXP Semiconductors Legal texts have been adapted to the new company name where appropriate Table 3 "Ordering information" updated with type numbers TDA6650TT/C3/S2, DA6651TT/C3/S2 and TDA6651TT/C3/S3 Table 22 "Characteristics" condition of leakage current (I_{LO}) changed from $0 < V_{AGC} < V_{CC}$ into $0 V < V_{AGC} < 3.5 V$ Table 22 "Characteristics" added value of the TDA6651TT/C3/S3 for $INT_{f(step)}$ (rejection at the IF output) Table 22 "Characteristics" added value of the TDA6651TT/C3/S3 for V_o (pin AGC) Table 22 "Characteristics" added value of the TDA6651TT/C3/S3 for $V_{o(dis)}$ (pin AGC) 		
TDA6650TT_6651TT_4 (9397 750 14178)	20041208	Product data sheet	-	TDA6650TT_6651TT_3
Modifications:		<ul style="list-style-type: none"> Section 3: Note added to the applications list Table 10 on page 11: Notes 1 and 2 added Section 10: Table notes modified Figure 18, 19, 23 and 24: Replaced "1 % AM modulation" with "0.3 % AM modulation" Figure 20: Modified by adding V'_{meas} Figure 24: Added figure note Figure : Changed value of C17 and R13 		
TDA6650TT_6651TT_3 (9397 750 13025)	20040322	Product specification	-	TDA6650TT_6651TT_2
TDA6650TT_6651TT_2 (9397 750 11854)	20030911	Preliminary specification	-	TDA6650TT_6651TT_1
TDA6650TT_6651TT_1	20030717	-	-	-

19. Legal information

19.1 Data sheet status

Document status ^{[1][2]}	Product status ^[3]	Definition
Objective [short] data sheet	Development	This document contains data from the objective specification for product development.
Preliminary [short] data sheet	Qualification	This document contains data from the preliminary specification.
Product [short] data sheet	Production	This document contains the product specification.

[1] Please consult the most recently issued document before initiating or completing a design.

[2] The term 'short data sheet' is explained in section "Definitions".

[3] The product status of device(s) described in this document may have changed since this document was published and may differ in case of multiple devices. The latest product status information is available on the Internet at URL <http://www.nxp.com>.

19.2 Definitions

Draft — The document is a draft version only. The content is still under internal review and subject to formal approval, which may result in modifications or additions. NXP Semiconductors does not give any representations or warranties as to the accuracy or completeness of information included herein and shall have no liability for the consequences of use of such information.

Short data sheet — A short data sheet is an extract from a full data sheet with the same product type number(s) and title. A short data sheet is intended for quick reference only and should not be relied upon to contain detailed and full information. For detailed and full information see the relevant full data sheet, which is available on request via the local NXP Semiconductors sales office. In case of any inconsistency or conflict with the short data sheet, the full data sheet shall prevail.

19.3 Disclaimers

General — Information in this document is believed to be accurate and reliable. However, NXP Semiconductors does not give any representations or warranties, expressed or implied, as to the accuracy or completeness of such information and shall have no liability for the consequences of use of such information.

Right to make changes — NXP Semiconductors reserves the right to make changes to information published in this document, including without limitation specifications and product descriptions, at any time and without notice. This document supersedes and replaces all information supplied prior to the publication hereof.

Suitability for use — NXP Semiconductors products are not designed, authorized or warranted to be suitable for use in medical, military, aircraft, space or life support equipment, nor in applications where failure or malfunction of a NXP Semiconductors product can reasonably be expected to

result in personal injury, death or severe property or environmental damage. NXP Semiconductors accepts no liability for inclusion and/or use of NXP Semiconductors products in such equipment or applications and therefore such inclusion and/or use is at the customer's own risk.

Applications — Applications that are described herein for any of these products are for illustrative purposes only. NXP Semiconductors makes no representation or warranty that such applications will be suitable for the specified use without further testing or modification.

Limiting values — Stress above one or more limiting values (as defined in the Absolute Maximum Ratings System of IEC 60134) may cause permanent damage to the device. Limiting values are stress ratings only and operation of the device at these or any other conditions above those given in the Characteristics sections of this document is not implied. Exposure to limiting values for extended periods may affect device reliability.

Terms and conditions of sale — NXP Semiconductors products are sold subject to the general terms and conditions of commercial sale, as published at <http://www.nxp.com/profile/terms>, including those pertaining to warranty, intellectual property rights infringement and limitation of liability, unless explicitly otherwise agreed to in writing by NXP Semiconductors. In case of any inconsistency or conflict between information in this document and such terms and conditions, the latter will prevail.

No offer to sell or license — Nothing in this document may be interpreted or construed as an offer to sell products that is open for acceptance or the grant, conveyance or implication of any license under any copyrights, patents or other industrial or intellectual property rights.

19.4 Trademarks

Notice: All referenced brands, product names, service names and trademarks are the property of their respective owners.

I²C-bus — logo is a trademark of NXP B.V.

20. Contact information

For additional information, please visit: <http://www.nxp.com>

For sales office addresses, send an email to: salesaddresses@nxp.com

21. Contents

1	General description	1	19.3	Disclaimers	53
2	Features	2	19.4	Trademarks	53
3	Applications	3	20	Contact information	53
3.1	Application summary	3	21	Contents	54
4	Ordering information	3			
5	Block diagram	4			
6	Pinning information	5			
6.1	Pin description	5			
6.2	Pinning	6			
7	Functional description	6			
7.1	Mixer, Oscillator and PLL (MOPLL) functions ..	6			
7.2	I ² C-bus voltage	7			
7.3	Phase noise, I ² C-bus traffic and crosstalk . . .	7			
8	I²C-bus protocol	8			
8.1	Write mode; R/W = 0	8			
8.1.1	I ² C-bus address selection	10			
8.1.2	XTOUT output buffer and mode setting	10			
8.1.3	Step frequency setting	10			
8.1.4	AGC detector setting	11			
8.1.5	Charge pump current setting	11			
8.1.6	Automatic Loop Bandwidth Control (ALBC) . .	12			
8.2	Read mode; R/W = 1	13			
8.3	Status at power-on reset	14			
9	Internal circuitry	15			
10	Limiting values	19			
11	Thermal characteristics	20			
12	Characteristics	21			
12.1	PLL loop stability of measurement circuit . . .	39			
13	Application information	45			
13.1	Tuning amplifier	45			
13.2	Crystal oscillator	45			
13.3	Examples of I ² C-bus program sequences . . .	45			
14	Package outline	48			
15	Handling information	49			
16	Soldering	49			
16.1	Introduction to soldering	49			
16.2	Wave and reflow soldering	49			
16.3	Wave soldering	49			
16.4	Reflow soldering	50			
17	Abbreviations	51			
18	Revision history	52			
19	Legal information	53			
19.1	Data sheet status	53			
19.2	Definitions	53			

Please be aware that important notices concerning this document and the product(s) described herein, have been included in section 'Legal information'.



© NXP B.V. 2007.

All rights reserved.

For more information, please visit: <http://www.nxp.com>

For sales office addresses, please send an email to: salesaddresses@nxp.com

Date of release: 10 January 2007

Document identifier: TDA6650TT_6651TT_5