

**DESCRIPTION**

The UC184xA family of control ICs provides all the necessary features to implement off-line fixed-frequency, current-mode switching power supplies with a minimum of external components. The current mode architecture demonstrates improved load regulation, pulse-by-pulse current limiting and inherent protection of the power supply output switch. The IC includes: A bandgap reference trimmed to  $\pm 1\%$  accuracy, an error amplifier, a current sense comparator with internal clamp to 1V, a high current totem pole output stage for fast switching of power

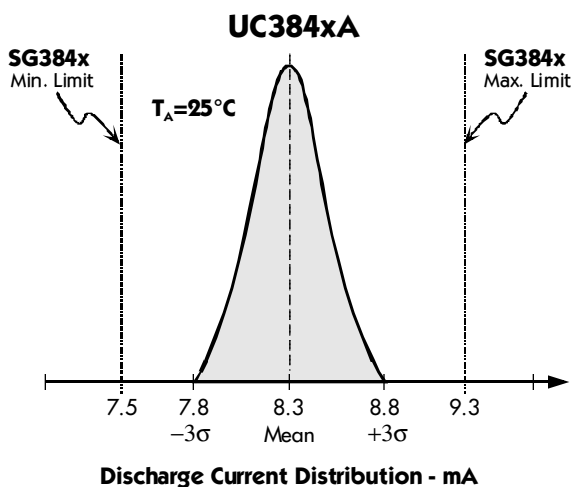
MOSFET's, and an externally programmable oscillator to set frequency and maximum duty cycle. The under-voltage lock-out is designed to operate with 250 $\mu$ A typ. start-up current, allowing an efficient bootstrap supply voltage design. Available options for this family of products, such as start-up voltage hysteresis and duty cycle, are summarized below in the Available Options section. The UC184xA family of control ICs is also available in 14-pin SOIC package which makes the Power Output Stage Collector and Ground pins available.

**KEY FEATURES**

- **LOW START-UP CURRENT.** (0.5mA max.)
- **TRIMMED OSCILLATOR DISCHARGE CURRENT.** (See Product Highlight)
- OPTIMIZED FOR OFF-LINE AND DC-TO-DC CONVERTERS.
- AUTOMATIC FEED FORWARD COMPENSATION.
- PULSE-BY-PULSE CURRENT LIMITING.
- ENHANCED LOAD RESPONSE CHARACTERISTICS.
- UNDER-VOLTAGE LOCKOUT WITH HYSTERESIS.
- DOUBLE PULSE SUPPRESSION.
- HIGH-CURRENT TOTEM POLE OUTPUT.
- INTERNALLY TRIMMED BANDGAP REFERENCE.
- 500KHz OPERATION.
- LOW  $R_{\theta}$  ERROR AMPLIFIER.

**PRODUCT HIGHLIGHT**

COMPARISON OF UC384xA VS. SG384X DISCHARGE CURRENT



**APPLICATIONS**

- ECONOMICAL OFF-LINE FLYBACK OR FORWARD CONVERTERS.
- DC-DC BUCK OR BOOST CONVERTERS.
- LOW COST DC MOTOR CONTROL.

AVAILABLE OPTIONS

| Part #  | Start-Up Voltage | Hysteresis | Max. Duty Cycle |
|---------|------------------|------------|-----------------|
| UCx842A | 16V              | 6V         | <100%           |
| UCx843A | 8.4V             | 0.8V       | <100%           |
| UCx844A | 16V              | 6V         | <50%            |
| UCx845A | 8.4V             | 0.8V       | <50%            |

**PACKAGE ORDER INFORMATION**

| $T_A$ (°C) | <b>M</b> Plastic DIP 8-pin | <b>DM</b> Plastic SOIC 8-pin | <b>D</b> Plastic SOIC 14-pin | <b>Y</b> Ceramic DIP 8-pin |
|------------|----------------------------|------------------------------|------------------------------|----------------------------|
| 0 to 70    | UC384xAM                   | UC384xADM                    | UC384xAD                     | —                          |
| -40 to 85  | UC284xAM                   | UC284xADM                    | UC284xAD                     | UC284xAAY                  |
| -55 to 125 | —                          | —                            | —                            | UC184xAAY                  |

Note: All surface-mount packages are available in Tape & Reel. Append the letter "T" to part number. (i.e. UC3842ADMT)

FOR FURTHER INFORMATION CALL (714) 898-8121

11861 WESTERN AVENUE, GARDEN GROVE, CA. 92841

# UC184xA/284xA/384xA

## CURRENT MODE PWM CONTROLLER

### PRODUCTION DATA SHEET

#### ABSOLUTE MAXIMUM RATINGS (Note 1)

|   |                 |
|---|-----------------|
| Supply Voltage (Low Impedance Source) ( $V_{CC}$ ) .....  | 30V             |
| Supply Voltage ( $I_{CC} < 30mA$ ) .....                  | Self Limiting   |
| Output Current .....                                      | $\pm 1A$        |
| Output Energy (Capacitive Load) .....                     | 5 $\mu$ J       |
| Analog Inputs ( $V_{FB}$ & $I_{SENSE}$ ) .....            | -0.3V to +6.3V  |
| Error Amp Output Sink Current .....                       | 10mA            |
| Power Dissipation at $T_A = 25^\circ C$ (M Package) ..... | 1W              |
| Storage Temperature Range .....                           | -65°C to +150°C |
| Lead Temperature (Soldering, 10 Seconds) .....            | 300°C           |

Note 1. Exceeding these ratings could cause damage to the device. All voltages are with respect to Ground. Currents are positive into, negative out of the specified terminal. Pin numbers refer to DIL packages only.

#### THERMAL DATA

##### M PACKAGE:

|   |        |
|---|--------|
| THERMAL RESISTANCE-JUNCTION TO AMBIENT, $\theta_{JA}$ | 95°C/W |
|---|--------|

##### DM PACKAGE:

|   |         |
|---|---------|
| THERMAL RESISTANCE-JUNCTION TO AMBIENT, $\theta_{JA}$ | 165°C/W |
|---|---------|

##### D PACKAGE:

|   |         |
|---|---------|
| THERMAL RESISTANCE-JUNCTION TO AMBIENT, $\theta_{JA}$ | 120°C/W |
|---|---------|

##### Y PACKAGE:

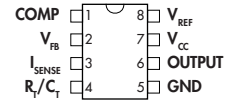
|   |         |
|---|---------|
| THERMAL RESISTANCE-JUNCTION TO AMBIENT, $\theta_{JA}$ | 130°C/W |
|---|---------|

Junction Temperature Calculation:  $T_J = T_A + (P_D \times \theta_{JA})$ .

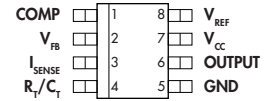
The  $\theta_{JA}$  numbers are guidelines for the thermal performance of the device/pc-board system.

All of the above assume no ambient airflow

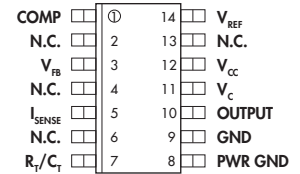
#### PACKAGE PIN OUTS



**M & Y PACKAGE**  
(Top View)



**DM PACKAGE**  
(Top View)



**D PACKAGE**  
(Top View)

## CURRENT MODE PWM CONTROLLER

### PRODUCTION DATA SHEET

#### ELECTRICAL CHARACTERISTICS

(Unless otherwise specified, these specifications apply over the operating ambient temperatures for UC384xA with  $0^{\circ}\text{C} \leq T_A \leq 70^{\circ}\text{C}$ , UC284xA with  $-40^{\circ}\text{C} \leq T_A \leq 85^{\circ}\text{C}$ , UC184xA with  $-55^{\circ}\text{C} \leq T_A \leq 125^{\circ}\text{C}$ ;  $V_{CC}=15\text{V}$ ;  $R_T=10\text{K}$ ;  $C_T=3.3\text{nF}$ . Low duty cycle pulse testing techniques are used which maintains junction and case temperatures equal to the ambient temperature.)

| Parameter                             | Symbol    | Test Conditions  | UC184xA/284xA |      |      | UC384xA |      |      | Units                  |
|---------------------------------------|-----------|--|---------------|------|------|---------|------|------|------------------------|
|                                       |           |  | Min.          | Typ. | Max. | Min.    | Typ. | Max. |                        |
| <b>Reference Section</b>              |           |  |               |      |      |         |      |      |                        |
| Output Voltage                        | $V_{REF}$ | $T_J = 25^{\circ}\text{C}, I_L = 1\text{mA}$                     | 4.95          | 5.00 | 5.05 | 4.90    | 5.00 | 5.10 | V                      |
| Line Regulation                       |           | $12 \leq V_{IN} \leq 25\text{V}$                                 |               | 6    | 20   |         | 6    | 20   | mV                     |
| Load Regulation                       |           | $1 \leq I_O \leq 20\text{mA}$                                    |               | 6    | 25   |         | 6    | 25   | mV                     |
| Temperature Stability (Note 2 & 7)    |           |  |               | 0.2  | 0.4  |         | 0.2  | 0.4  | mV/ $^{\circ}\text{C}$ |
| Total Output Variation                |           | Over Line, Load, and Temperature                                 | 4.9           |      | 5.1  | 4.82    |      | 5.18 | V                      |
| Output Noise Voltage (Note 2)         | $V_N$     | $10\text{Hz} \leq f \leq 10\text{kHz}, T_J = 25^{\circ}\text{C}$ |               | 50   |      |         | 50   |      | $\mu\text{V}$          |
| Long Term Stability (Note 2)          |           | $T_A = 125^{\circ}\text{C}, t = 1000\text{hrs}$                  |               | 5    | 25   |         | 5    | 25   | mV                     |
| Output Short Circuit Current          | $I_{SC}$  |  | -30           | -100 | -180 | -30     | -100 | -180 | mA                     |
| <b>Oscillator Section</b>             |           |  |               |      |      |         |      |      |                        |
| Initial Accuracy (Note 6)             |           | $T_J = 25^{\circ}\text{C}$                                       | 47            | 52   | 57   | 47      | 52   | 57   | kHz                    |
| Voltage Stability                     |           | $12 \leq V_{CC} \leq 25\text{V}$                                 |               | 0.2  | 1    |         | 0.2  | 1    | %                      |
| Temperature Stability (Note 2)        |           | $T_{MIN} \leq T_A \leq T_{MAX}$                                  |               | 5    |      |         | 5    |      | %                      |
| Amplitude (Note 2)                    |           |  |               | 1.7  |      |         | 1.7  |      | V                      |
| Discharge Current                     |           | $T_J = 25^{\circ}\text{C}, V_{PIN4} = 2\text{V}$                 | 7.8           | 8.3  | 8.8  | 7.8     | 8.3  | 8.8  | mA                     |
|                                       |           | $V_{PIN4} = 2\text{V}, T_{MIN} \leq T_A \leq T_{MAX}$            | 7.5           |      | 8.8  | 7.6     |      | 8.8  | mA                     |
| <b>Error Amp Section</b>              |           |  |               |      |      |         |      |      |                        |
| Input Voltage                         |           | $V_{PIN1} = 2.5\text{V}$   | 2.45          | 2.50 | 2.55 | 2.42    | 2.50 | 2.58 | V                      |
| Input Bias Current                    | $I_B$     |  |               | -0.3 | -1   |         | -0.3 | -2   | $\mu\text{A}$          |
| Open Loop Gain                        | $A_{VOL}$ | $2 \leq V_O \leq 4\text{V}$                                      | 65            | 90   |      | 65      | 90   |      | dB                     |
| Unity Gain Bandwidth (Note 2)         | UGBW      | $T_J = 25^{\circ}\text{C}$                                       | 0.7           | 1    |      | 0.7     | 1    |      | MHz                    |
| Power Supply Rejection Ratio (Note 3) | PSRR      | $12 \leq V_{CC} \leq 25\text{V}$                                 | 60            | 70   |      | 60      | 70   |      | dB                     |
| Output Sink Current                   | $I_{OL}$  | $V_{PIN2} = 2.7\text{V}, V_{PIN1} = 1.1\text{V}$                 | 2             | 6    |      | 2       | 6    |      | mA                     |
| Output Source Current                 | $I_{OH}$  | $V_{PIN2} = 2.3\text{V}, V_{PIN1} = 5\text{V}$                   | -0.5          | -0.8 |      | -0.5    | -0.8 |      | mA                     |
| Output Voltage High Level             | $V_{OH}$  | $V_{PIN2} = 2.3\text{V}, R_L = 15\text{K to ground}$             | 5             | 6    |      | 5       | 6    |      | V                      |
| Output Voltage Low Level              | $V_{OL}$  | $V_{PIN2} = 2.7\text{V}, R_L = 15\text{K to } V_{REF}$           |               | 0.7  | 1.1  |         | 0.7  | 1.1  | V                      |
| <b>Current Sense Section</b>          |           |  |               |      |      |         |      |      |                        |
| Gain (Note 3 & 4)                     | $A_{VOL}$ |  | 2.85          | 3    | 3.15 | 2.85    | 3    | 3.15 | V/V                    |
| Maximum Input Signal (Note 3)         |           | $V_{PIN1} = 5\text{V}$   | 0.9           | 1    | 1.1  | 0.9     | 1    | 1.1  | V                      |
| Power Supply Rejection Ratio (Note 3) | PSRR      | $12 \leq V_{CC} \leq 25\text{V}$                                 |               | 70   |      |         | 70   |      | dB                     |
| Input Bias Current                    | $I_B$     |  |               | -2   | -10  |         | -2   | -10  | $\mu\text{A}$          |
| Delay to Output (Note 2)              | $T_{pd}$  | $V_{PIN3} = 0 \text{ to } 2\text{V}$                             |               | 150  | 300  |         | 150  | 300  | ns                     |
| <b>Output Section</b>                 |           |  |               |      |      |         |      |      |                        |
| Output Low Level                      | $V_{OL}$  | $I_{SINK} = 20\text{mA}$   |               | 0.1  | 0.4  |         | 0.1  | 0.4  | V                      |
|                                       |           | $I_{SINK} = 200\text{mA}$  |               | 1.5  | 2.2  |         | 1.5  | 2.2  | V                      |
| Output High Level                     | $V_{OH}$  | $I_{SOURCE} = 20\text{mA}$                                       | 13            | 13.5 |      | 13      | 13.5 |      | V                      |
|                                       |           | $I_{SOURCE} = 200\text{mA}$                                      | 12            | 13.5 |      | 12      | 13.5 |      | V                      |
| Rise Time (Note 2)                    | $T_R$     | $T_J = 25^{\circ}\text{C}, C_L = 1\text{nF}$                     |               | 50   | 150  |         | 50   | 150  | ns                     |
| Fall Time (Note 2)                    | $T_F$     | $T_J = 25^{\circ}\text{C}, C_L = 1\text{nF}$                     |               | 50   | 150  |         | 50   | 150  | ns                     |
| UVLO Saturation                       | $V_{SAT}$ | $V_{CC} = 5\text{V}, I_{SINK} = 10\text{mA}$                     |               | 0.7  | 1.2  |         | 0.7  | 1.2  | V                      |

(Electrical Characteristics continue next page.)

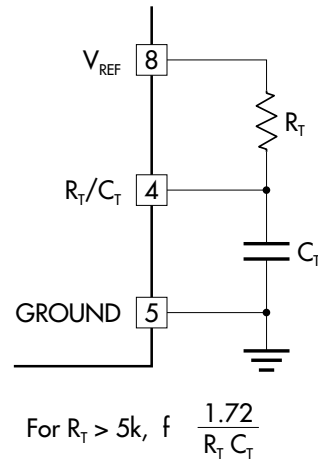
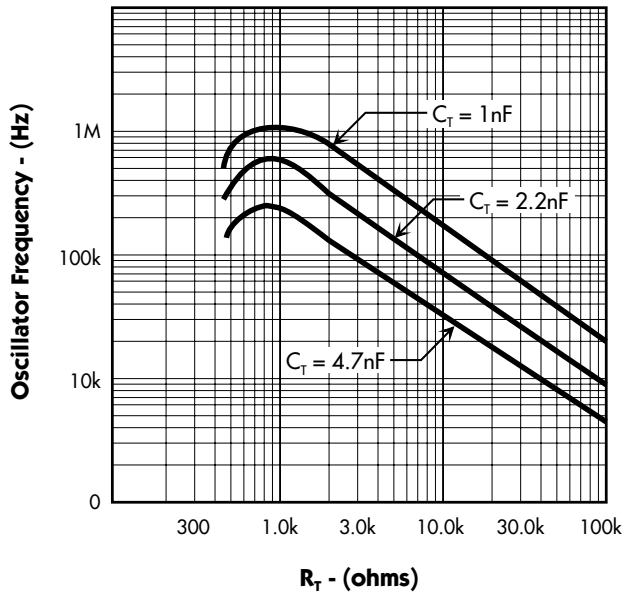


CURRENT MODE PWM CONTROLLER

PRODUCTION DATA SHEET

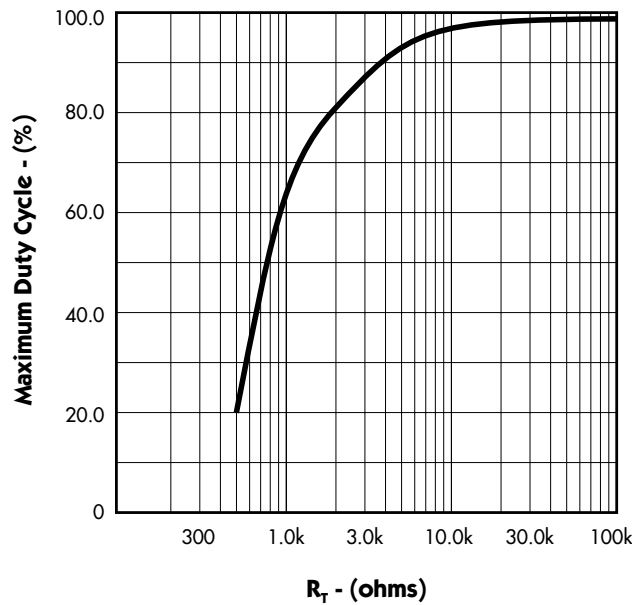
CHARACTERISTIC CURVES

FIGURE 1. — OSCILLATOR FREQUENCY vs. TIMING RESISTOR



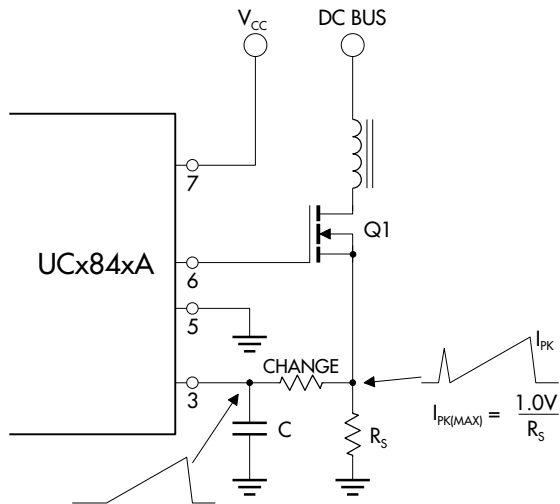
Note: Output drive frequency is half the oscillator frequency for the UCx844A/5A devices.

FIGURE 2. — MAXIMUM DUTY CYCLE vs. TIMING RESISTOR



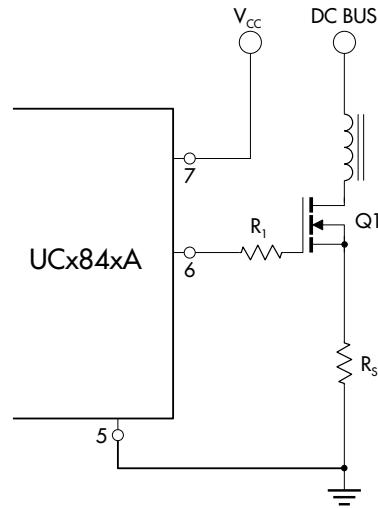
#### TYPICAL APPLICATION CIRCUITS

**FIGURE 3. — CURRENT SENSE SPIKE SUPPRESSION**



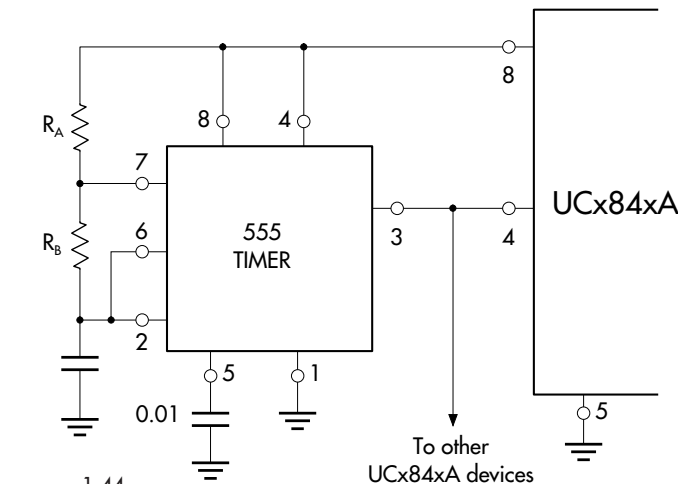
The RC low pass filter will eliminate the leading edge current spike caused by parasitics of Power MOSFET.

**FIGURE 4. — MOSFET PARASITIC OSCILLATIONS**



A resistor ( $R_1$ ) in series with the MOSFET gate will reduce overshoot & ringing caused by the MOSFET input capacitance and any inductance in series with the gate drive. (Note: It is very important to have a low inductance ground path to insure correct operation of the I.C. This can be done by making the ground paths as short and as wide as possible.)

**FIGURE 5. — EXTERNAL DUTY CYCLE CLAMP AND MULTI-UNIT SYNCHRONIZATION**



$$f = \frac{1.44}{(R_A + 2R_B)C}$$

$$f = \frac{R_B}{R_A + 2R_B}$$

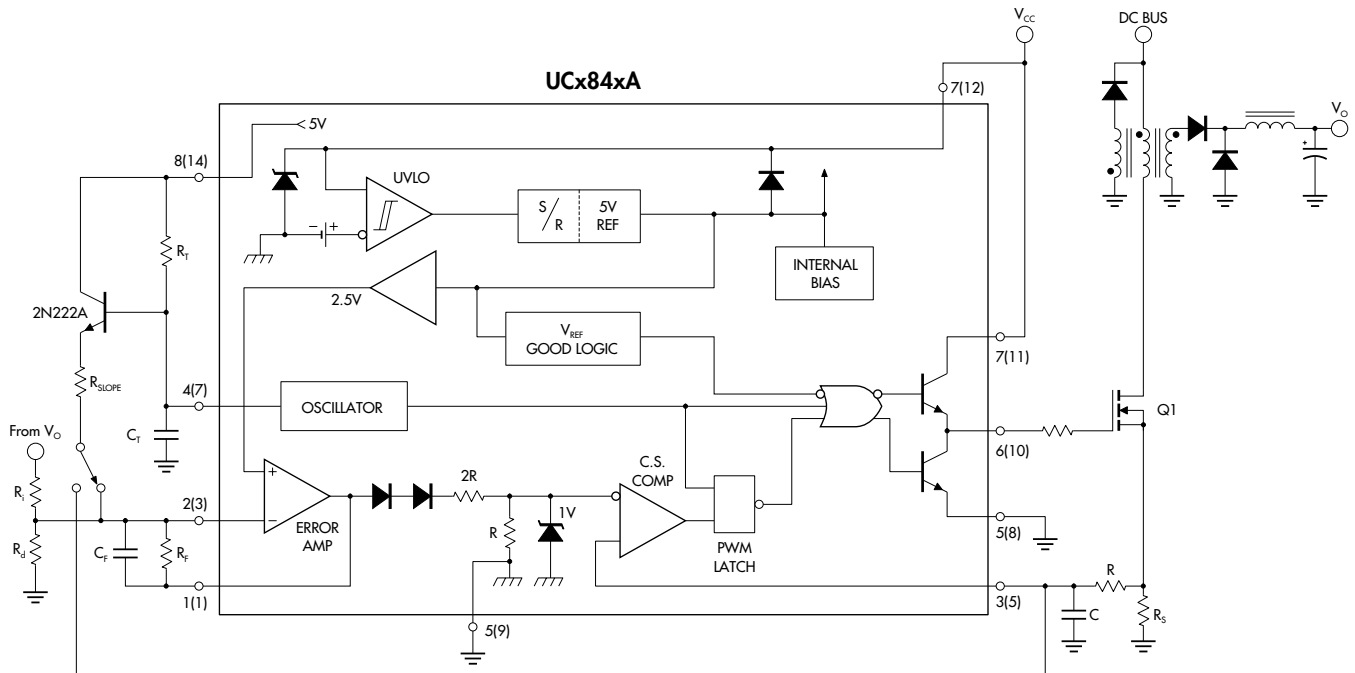
Precision duty cycle limiting as well as synchronizing several parts is possible with the above circuitry.

## CURRENT MODE PWM CONTROLLER

### PRODUCTION DATA SHEET

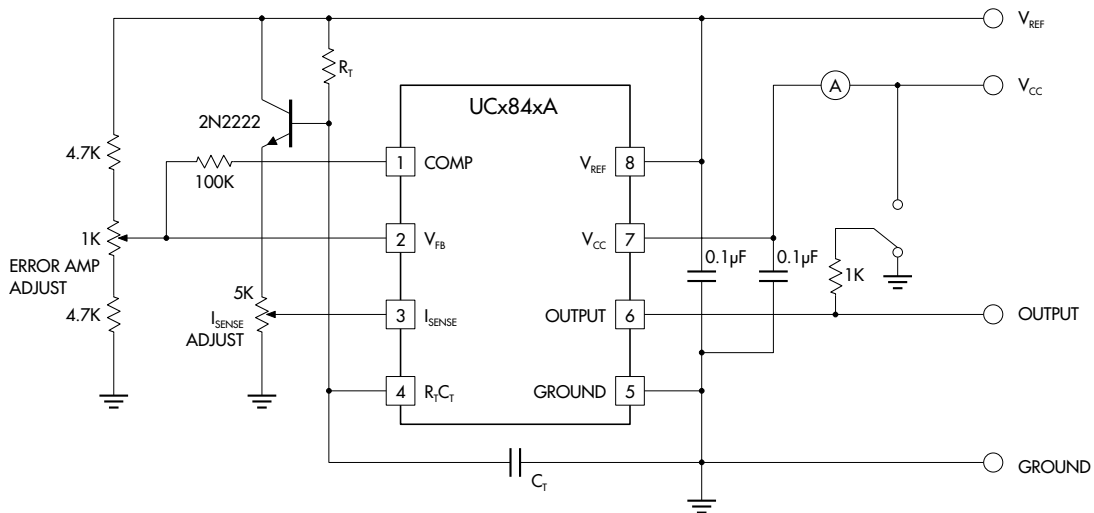
#### TYPICAL APPLICATION CIRCUITS (continued)

FIGURE 6. — SLOPE COMPENSATION



Due to inherent instability of current mode converters running above 50% duty cycle, slope compensation should be added to either the current sense pin or the error amplifier. Figure 6 shows a typical slope compensation technique.

FIGURE 7. — OPEN LOOP LABORATORY FIXTURE



High peak currents associated with capacitive loads necessitate careful grounding techniques. Timing and bypass capacitors should be connected to pin 5 in a single point ground. The transistor and 5k potentiometer are used to sample the oscillator waveform and apply an adjustable ramp to pin 3.

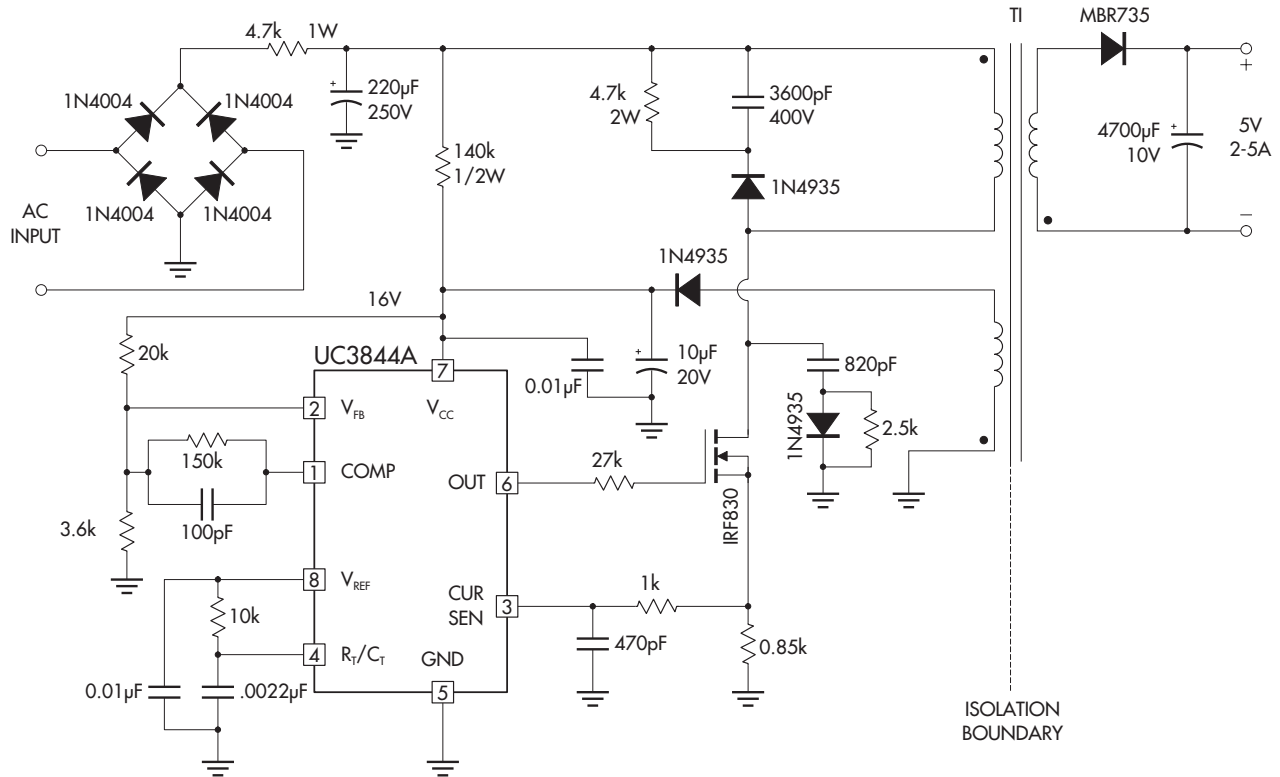
# UC184xA/284xA/384xA

## CURRENT MODE PWM CONTROLLER

### PRODUCTION DATA SHEET

#### TYPICAL APPLICATION CIRCUITS (continued)

FIGURE 8. — OFF-LINE FLYBACK REGULATOR



#### SPECIFICATIONS

|                               |                 |
|-------------------------------|-----------------|
| Input line voltage:           | 90VAC to 130VAC |
| Input frequency:              | 50 or 60Hz      |
| Switching frequency:          | 40KHz $\pm$ 10% |
| Output power:                 | 25W maximum     |
| Output voltage:               | 5V $\pm$ 5%     |
| Output current:               | 2 to 5A         |
| Line regulation:              | 0.01%/V         |
| Load regulation:              | 8%/A*           |
| Efficiency @ 25 Watts,        |                 |
| $V_{IN} = 90VAC$ :            | 70%             |
| $V_{IN} = 130VAC$ :           | 65%             |
| Output short-circuit current: | 2.5Amp average  |

\* This circuit uses a low-cost feedback scheme in which the DC voltage developed from the primary-side control winding is sensed by the UC3844A error amplifier. Load regulation is therefore dependent on the coupling between secondary and control windings, and on transformer leakage inductance.