

REMOTE CONTROL PREAMPLIFIER

DESCRIPTION

The μ PC1490 and μ PC1491 are bipolar integrated circuit intended for application in infrared remote controls.

The μ PC1490 and μ PC1491 contain a high-gain amplifier, a limiter amplifier, a band-pass filter, a detector and a pulse shaper.

The μ PC1490's output polarity is active "Low" and the μ PC1491's output polarity is active "High".

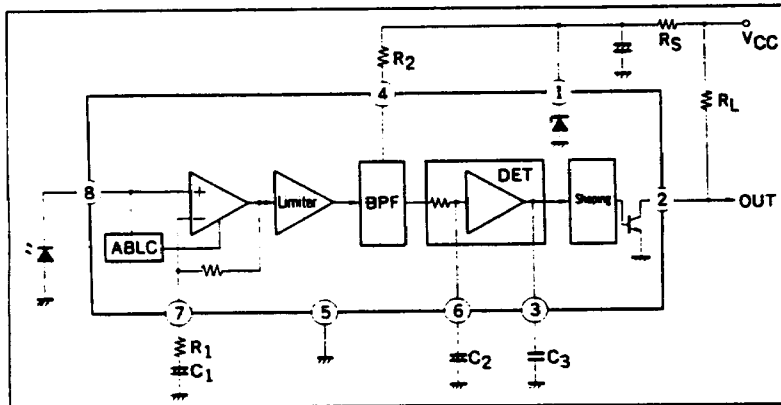
FEATURES

- On-chip band-pass filter: Frequency range 30 to 60 kHz.
- High gain pre-amplifier: 86 dB TYP.
- Detector for PCM demodulation
- Low current consumption
- Minimum external components
- Open collector output: Easy interface to all microcomputer remote control decoders.
TTL and CMOS compatible output.

ORDERING INFORMATION

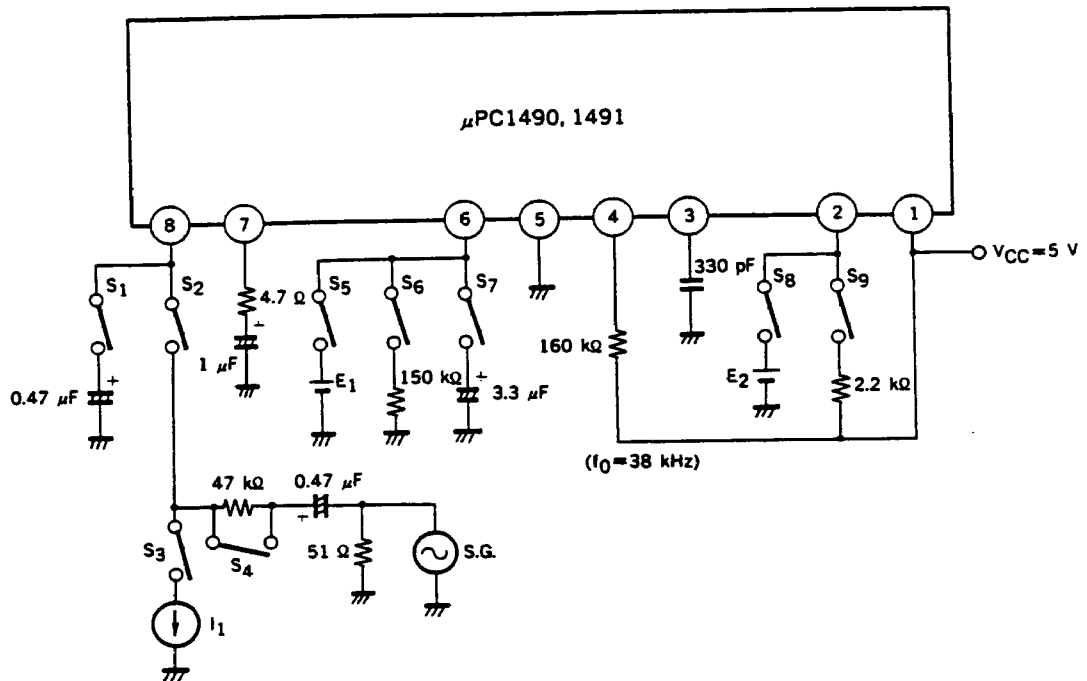
Part Number	Package	Output Data
μ PC1490HA	8 pin PLASTIC slim SIP	active "L"
μ PC1490G	8 pin PLASTIC SOP	
μ PC1491HA	8 pin PLASTIC slim SIP	active "H"
μ PC1491G	8 pin PLASTIC SOP	

BLOCK DIAGRAM



NEC cannot assume any responsibility for any circuits shown or represent that they are free from patent infringement.

TEST CIRCUIT



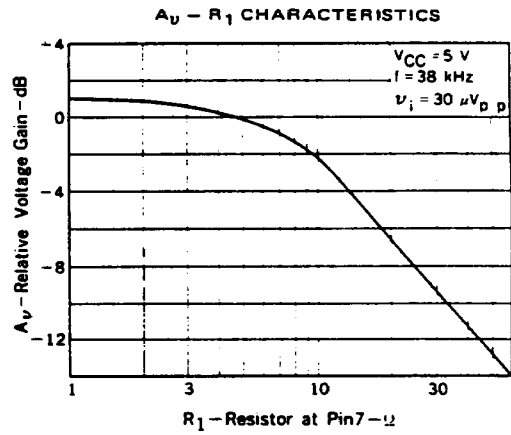
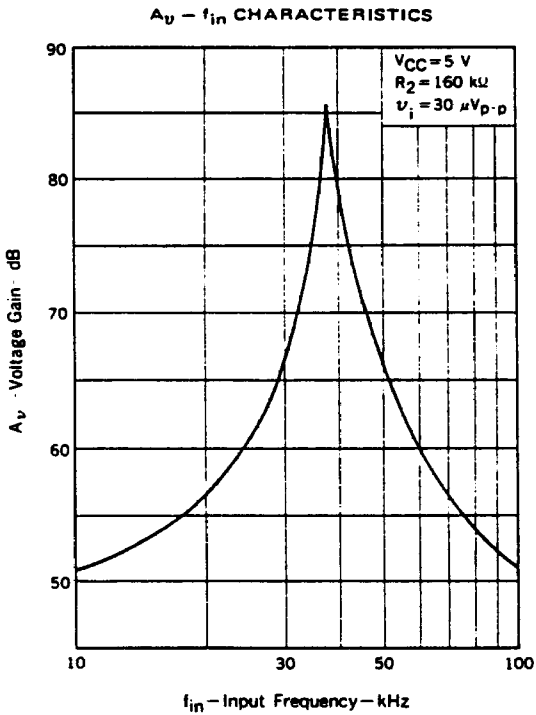
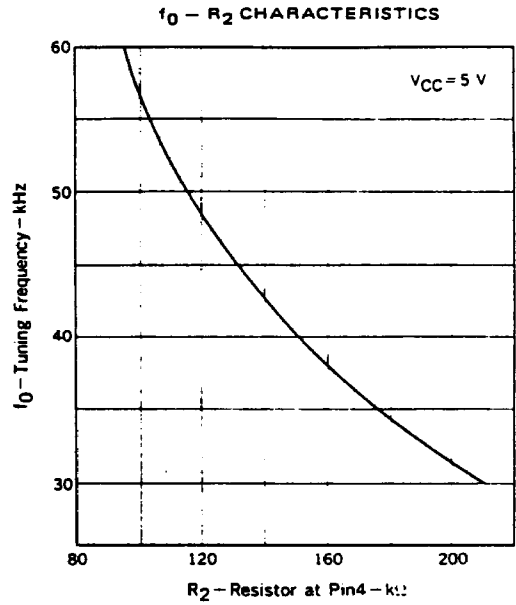
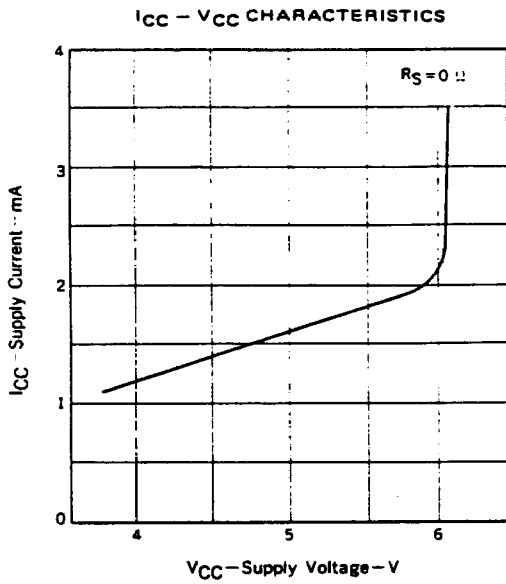
PIN DESIGNATION

PIN No.	SYMBOL	NAME & FUNCTION
1	VCC	Power Supply
2	OUT	Output
3	C _I	Integral Capacitor
4	f ₀	Band-pass Filter Center Frequency Adjust
5	GND	Ground
6	C _D	Detector Capacitor
7	IN ⁻	Input -
8	IN ⁺	Input +

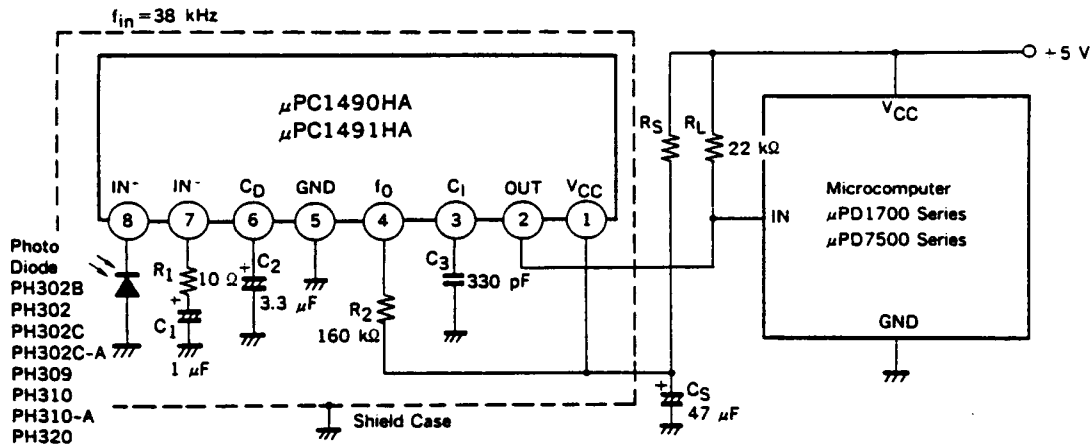
PIN FUNCTION

- Power Supply (V_{CC} :Pin1, GND:Pin5)
 - Normal operation voltage is $5\text{ V} \pm 10\%$.
 - In case of using a $12\text{ V} \pm 1\text{ V}$ power supply, insert a $1.5\text{ k}\Omega \pm 5\%$ series resistor between V_{CC} and power supply.
 - The internal zener diode regulates the V_{CC} voltage to about 5.9 V . Do not supply the circuit current more than 6.0 mA .
- Input (IN^+ :Pin8, IN^- :Pin7)
 - The input impedance is $40\text{ k}\Omega$ TYP.
 - The infrared receiver diode can be directly connected to the input.
 - This input has ABLC (Automatic Bias Level Control) circuit and it keeps the amplifier properly biased from IR inputs.
 - The voltage gain of the input amplifier is determined by the external impedance R_1 and C_1 at Pin7.
- Band-pass Filter Center Frequency Adjust (f_0 :Pin4)
 - The tuning frequency of band-pass filter is determined by internal capacitors and the external resistor R_2 . The tuning frequency ranges from 30 kHz to 60 kHz .
- Detector Capacitor (C_D :Pin6)
 - The detector consists of a filter and a comparator. The external capacitor C_2 at Pin 6 is used for the filter.
- Integral Capacitor (C_1 :Pin3)
 - The external capacitor C_3 at Pin 3 filters the carrier from the pulses.
- Output (OUT:Pin2)
 - The output is open collector transistor, can directly drives a TTL or a CMOS. And the break-down voltage of the output is over 15 V , so it is easy to interface to all microcomputer remote control decoders.
 - The μ PC1490 is active "Low" output. The μ PC1491 is active "High" output.

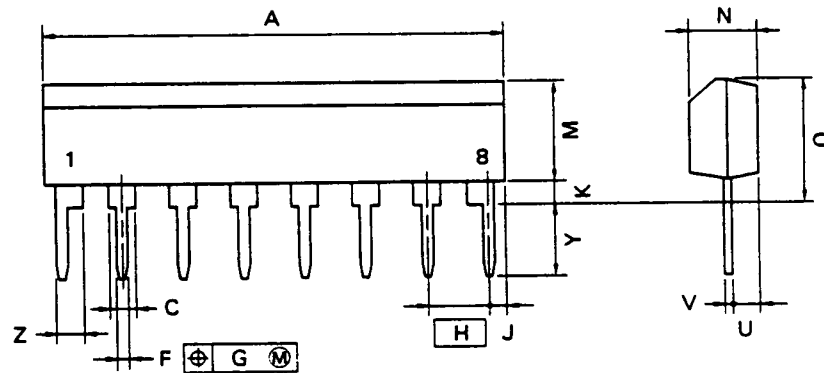
TYPICAL CHARACTERISTICS ($T_a = 25^\circ\text{C}$)



APPLICATION



8 PIN PLASTIC SLIM SIP



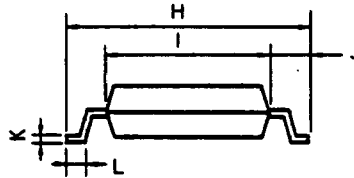
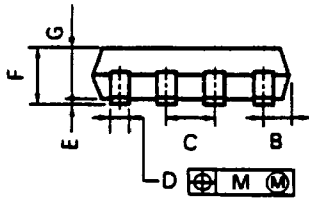
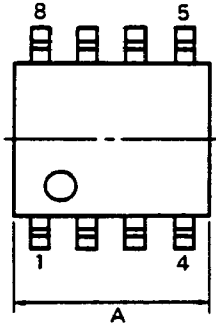
NOTE

Each lead centerline is located within 0.25 mm (0.01 inch) of its true position (T.P.) at maximum material condition.

P8HA-2548

ITEM	MILLIMETERS	INCHES
A	20.32 MAX.	0.8 MAX.
C	1.1 MIN.	0.043 MIN.
F	0.5 ^{+0.1}	0.02 ^{+0.004}
G	0.25	0.01
H	2.54	0.1
J	1.27 MAX.	0.05 MAX.
K	0.51 MIN.	0.02 MIN.
M	5.08 MAX.	0.2 MAX.
N	2.8 ^{+0.2}	0.11 ^{+0.008}
Q	5.75 MAX.	0.227 MAX.
U	1.5 MAX.	0.059 MAX.
V	0.25 ^{+0.008}	0.01 ^{+0.0003}
Y	3.2 ^{+0.5}	0.126 ^{+0.02}
Z	1.1 MIN.	0.043 MIN.

8PIN PLASTIC MINI FLAT (225 mil)



S8GM-50-225B

NOTE

Each lead centerline is located within 0.12 mm (0.005 inch) of its true position (T.P.) at maximum material condition.

ITEM	MILLIMETERS	INCHES
A	5.70 MAX.	0.225 MAX.
B	0.94 MAX.	0.037 MAX.
C	1.27 (T.P.)	0.050 (T.P.)
D	0.40 ^{+0.10} / _{-0.05}	0.016 ^{+0.004} / _{-0.002}
E	0.1 ^{+0.1} / _{-0.05}	0.004 ^{+0.004} / _{-0.002}
F	1.8 MAX.	0.071 MAX.
G	1.49	0.059
H	6.5 ^{+0.3} / _{-0.1}	0.256 ^{+0.012} / _{-0.005}
I	4.4	0.173
J	1.1	0.043
K	0.15 ^{+0.10} / _{-0.05}	0.006 ^{+0.002} / _{-0.001}
L	0.6 ^{+0.2} / _{-0.1}	0.024 ^{+0.008} / _{-0.004}
M	0.12	0.005

8

IC-1808
March 1988M
Printed in Japan

026254