

BIPOLAR ANALOG INTEGRATED CIRCUIT

μ PC29xx Series

THREE TERMINAL LOW DROPOUT VOLTAGE REGULATOR

The μ PC29xx series of low dropout voltage three terminal positive regulators is constructed with PNP output transistor. The μ PC29xx series feature the ability to source 1 A of output current with a low dropout voltage of typically 0.7 V.

The power dissipation of the μ PC29xx series can be drastically reduced compared with the conventional three terminal positive voltage regulators that is constructed with NPN output transistor. Also, this series corresponds to the low voltage output (3.0 V, 3.3 V) which is not in the conventional low dropout regulators (μ PC24xxA series).

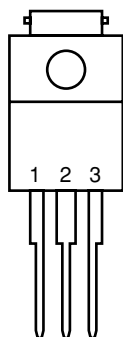
FEATURES

- Output current in excess of 1.0 A
- Low dropout voltage
 $V_{DIF} = 0.7 \text{ V TYP. (I}_o = 1 \text{ A)}$
- On-chip over-current and thermal protection circuit
- On-chip output transistor safe operating area protection circuit

<R>

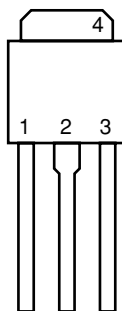
PIN CONFIGURATIONS (Marking Side)

μ PC29xxHF Series: Isolated TO-220 (MP-45G)



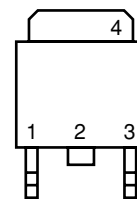
1: INPUT
 2: GND
 3: OUTPUT

μ PC29xxHB Series: SC-64 (MP-3)



1: INPUT
 2: GND^{Note1}
 3: OUTPUT
 4: GND (Fin)

μ PC29xxT Series: SC-63 (MP-3Z)



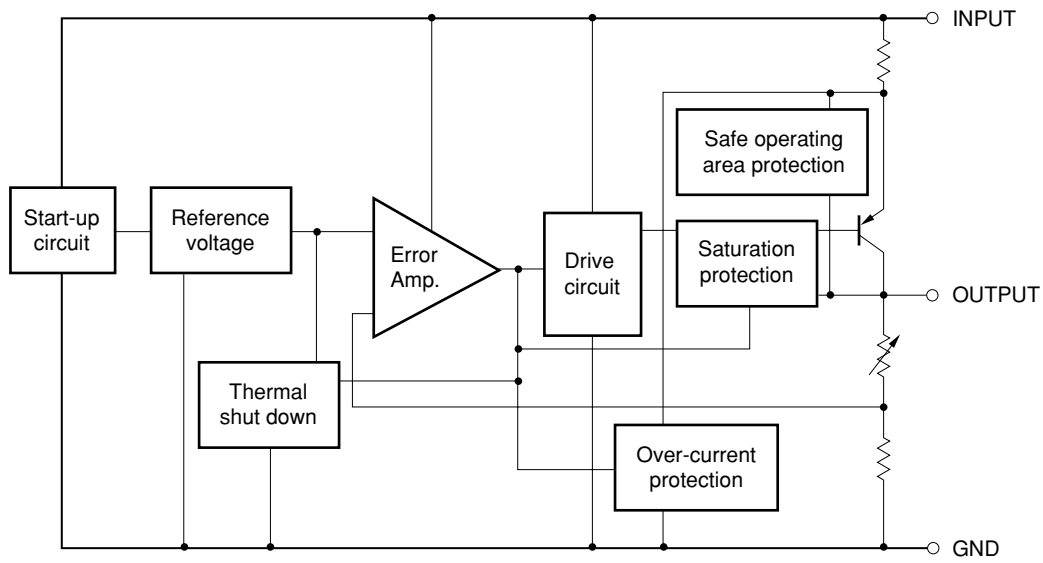
1: INPUT
 2: GND^{Note2}
 3: OUTPUT
 4: GND (Fin)

Notes 1. No.2 pin and No.4 fin are common GND.

2. No.2 pin is cut. No.2 pin and No.4 fin are common GND.

The information in this document is subject to change without notice. Before using this document, please confirm that this is the latest version.
 Not all products and/or types are available in every country. Please check with an NEC Electronics sales representative for availability and additional information.

BLOCK DIAGRAM



<R>

ORDERING INFORMATION

Part Number	Package	Output Voltage	Marking
μPC2903HF	Isolated TO-220 (MP-45G)	3.0 V	2903
μPC2903HB	SC-64 (MP-3)	3.0 V	2903
μPC2903T	SC-63 (MP-3Z)	3.0 V	2903
μPC2933HF	Isolated TO-220 (MP-45G)	3.3 V	2933
μPC2933HB	SC-64 (MP-3)	3.3 V	2933
μPC2933T	SC-63 (MP-3Z)	3.3 V	2933
μPC2905HF	Isolated TO-220 (MP-45G)	5.0 V	2905
μPC2905HB	SC-64 (MP-3)	5.0 V	2905
μPC2905T	SC-63 (MP-3Z)	5.0 V	2905
μPC2906HF	Isolated TO-220 (MP-45G)	6.0 V	2906
μPC2906HB	SC-64 (MP-3)	6.0 V	2906
μPC2906T	SC-63 (MP-3Z)	6.0 V	2906
μPC2907HF	Isolated TO-220 (MP-45G)	7.0 V	2907
μPC2907HB	SC-64 (MP-3)	7.0 V	2907
μPC2907T	SC-63 (MP-3Z)	7.0 V	2907
μPC2908HF	Isolated TO-220 (MP-45G)	8.0 V	2908
μPC2908HB	SC-64 (MP-3)	8.0 V	2908
μPC2908T	SC-63 (MP-3Z)	8.0 V	2908
μPC2909HF	Isolated TO-220 (MP-45G)	9.0 V	2909
μPC2909HB	SC-64 (MP-3)	9.0 V	2909
μPC2909T	SC-63 (MP-3Z)	9.0 V	2909
μPC2910HF	Isolated TO-220 (MP-45G)	10.0 V	2910
μPC2910HB	SC-64 (MP-3)	10.0 V	2910
μPC2910T	SC-63 (MP-3Z)	10.0 V	2910
μPC2912HF	Isolated TO-220 (MP-45G)	12.0 V	2912
μPC2912HB	SC-64 (MP-3)	12.0 V	2912
μPC2912T	SC-63 (MP-3Z)	12.0 V	2912

Remark Tape-packaged products have the symbol -E1, or -E2 suffixed to the part number. Pb-free products have the symbol -AZ, or -AY suffixed to the part number. Refer to the following table for details.

Part Number ^{Note1}	Package	Package Type
μPC29xxHF	Isolated TO-220 (MP-45G)	• Packed in envelop
μPC29xxHF-AZ ^{Note2}	Isolated TO-220 (MP-45G)	• Packed in envelop
μPC29xxHB	SC-64 (MP-3)	• Packed in envelop
μPC29xxHB-AZ ^{Note2}	SC-64 (MP-3)	• Packed in envelop
μPC29xxHB-AY ^{Note3}	SC-64 (MP-3)	• Packed in envelop
μPC29xxT-E1	SC-63 (MP-3Z)	• 16 mm wide embossed taping • Pin 1 on draw-out side • 2000 pcs/reel
μPC29xxT-E1-AZ ^{Note2}	SC-63 (MP-3Z)	• 16 mm wide embossed taping • Pin 1 on draw-out side • 2000 pcs/reel
μPC29xxT-E1-AY ^{Note3}	SC-63 (MP-3Z)	• 16 mm wide embossed taping • Pin 1 on draw-out side • 2000 pcs/reel
μPC29xxT-E2	SC-63 (MP-3Z)	• 16 mm wide embossed taping • Pin 1 at take-up side • 2000 pcs/reel
μPC29xxT-E2-AZ ^{Note2}	SC-63 (MP-3Z)	• 16 mm wide embossed taping • Pin 1 at take-up side • 2000 pcs/reel
μPC29xxT-E2-AY ^{Note3}	SC-63 (MP-3Z)	• 16 mm wide embossed taping • Pin 1 at take-up side • 2000 pcs/reel

Notes 1. xx stands for symbols that indicate the output voltage.

2. Pb-free (This product does not contain Pb in the external electrode.)

3. Pb-free (This product does not contain Pb in the external electrode, Sn100% plating.)

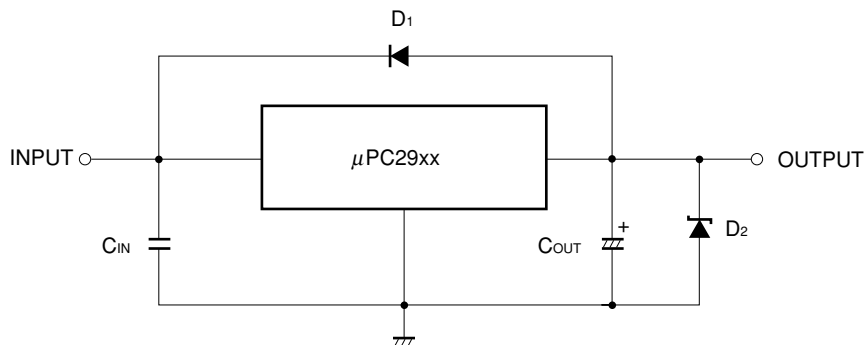
ABSOLUTE MAXIMUM RATINGS (T_A = 25°C, Unless otherwise specified.)

Parameter	Symbol	Rating		Unit
		μPC29xxHF	μPC29xxHB, μPC29xxT	
Input Voltage	V _{IN}	20		V
Internal Power Dissipation (T _C = 25°C) Note	P _T	15	10	W
Operating Ambient Temperature	T _A	-30 to +85		°C
Operating Junction Temperature	T _J	-30 to +150		°C
Storage Temperature	T _{stg}	-55 to +150		°C
Thermal Resistance (Junction to Case)	R _{th (J-C)}	7	12.5	°C/W
Thermal Resistance (Junction to Ambient)	R _{th (J-A)}	65	125	°C/W

Note Internally limited. When the operating junction temperature rises above 150°C, the internal circuit shuts down the output voltage.

Caution Product quality may suffer if the absolute maximum rating is exceeded even momentarily for any parameter. That is, the absolute maximum ratings are rated values at which the product is on the verge of suffering physical damage, and therefore the product must be used under conditions that ensure that the absolute maximum ratings are not exceeded.

TYPICAL CONNECTION



- C_{IN} : 0.1 μF or higher. Be sure to connect C_{IN} to prevent parasitic oscillation. Set this value according to the length of the line between the regulator and the INPUT pin. Use of a film capacitor or other capacitor with first-rate voltage and temperature characteristics is recommended. If using a laminated ceramic capacitor, it is necessary to ensure that C_{IN} is 0.1 μF or higher for the voltage and temperature range to be used.
- C_{OUT} : 47 μF or higher. Be sure to connect C_{OUT} to prevent oscillation and improve excessive load regulation. Place C_{IN} and C_{OUT} as close as possible to the IC pins (within 1 to 2 cm). Also, use an electrolytic capacitor with low impedance characteristics if considering use at sub-zero temperatures.
- D₁ : If the OUTPUT pin has a higher voltage than the INPUT pin, connect a diode.
- D₂ : If the OUTPUT pin has a lower voltage than the GND pin, connect a Schottky barrier diode.

Caution Make sure that no voltage is applied to the OUTPUT pin from external.

RECOMMENDED OPERATING CONDITIONS

Parameter	Symbol	Type Number	MIN.	TYP.	MAX.	Unit
Input Voltage	V _{IN}	μPC2903	4.0		16	V
		μPC2933	4.3		16	
		μPC2905	6		16	
		μPC2906	7		16	
		μPC2907	8		16	
		μPC2908	9		18	
		μPC2909	10		18	
		μPC2910	11		18	
		μPC2912	13		18	
Output Current	I _o	all	0		1.0	A
Operating Ambient Temperature	T _A	all	-30		+85	°C
Operating Junction Temperature	T _J	all	-30		+125	°C

ELECTRICAL CHARACTERISTICS

μPC2903 (T_J = 25°C, V_{IN} = 5 V, I_o = 500 mA, C_{IN} = 0.22 μF, C_{OUT} = 47 μF, unless otherwise specified.)

Parameters	Symbol	Conditions	MIN.	TYP.	MAX.	Unit
Output Voltage	V _O		2.88	3.0	3.12	V
		0°C ≤ T _J ≤ 125°C, 4.0 V ≤ V _{IN} ≤ 16 V, 0 A ≤ I _o ≤ 500 mA	2.85		3.15	
		0°C ≤ T _J ≤ 125°C, 0 A ≤ I _o ≤ 1 A				
Line Regulation	REG _{IN}	4.0 V ≤ V _{IN} ≤ 16 V		11	30	mV
Load Regulation	REG _L	0 A ≤ I _o ≤ 1 A		9	30	mV
Quiescent Current	I _{BIAS}	I _o = 0 A		1.9	4.0	mA
		I _o = 1 A		23	60	
Startup Quiescent Current	I _{BIAS (s)}	V _{IN} = 2.95 V, I _o = 0 A		12	30	mA
		V _{IN} = 2.95 V, I _o = 1 A			80	
Quiescent Current Change	ΔI _{BIAS}	0°C ≤ T _J ≤ 125°C, 4.0 V ≤ V _{IN} ≤ 16 V		3.2	20	mA
Output Noise Voltage	V _n	10 Hz ≤ f ≤ 100 kHz		52		μV _{r.m.s.}
Ripple Rejection	R·R	f = 120 Hz, 4.0 V ≤ V _{IN} ≤ 16 V	48	63		dB
Dropout Voltage	V _{DIF}	0°C ≤ T _J ≤ 125°C, I _o = 1 A		0.7	1.0	V
Short Circuit Current	I _{o short}	V _{IN} = 4.5 V	1.2	1.7	3.0	A
		V _{IN} = 16 V		1.2		
Peak Output Current	I _{o peak}	V _{IN} = 4.5 V	1.0	1.5	3.0	A
		V _{IN} = 16 V	1.3	1.7	2.8	
Temperature Coefficient of Output Voltage	ΔV _O /ΔT	0°C ≤ T _J ≤ 125°C, I _o = 5 mA		-0.5		mV/°C

μPC2933 ($T_J = 25^\circ\text{C}$, $V_{IN} = 5\text{ V}$, $I_o = 500\text{ mA}$, $C_{IN} = 0.22\ \mu\text{F}$, $C_{OUT} = 47\ \mu\text{F}$, unless otherwise specified.)

Parameters	Symbol	Conditions	MIN.	TYP.	MAX.	Unit
Output Voltage	V_o		3.17	3.3	3.43	V
		$0^\circ\text{C} \leq T_J \leq 125^\circ\text{C}$, $4.3\text{ V} \leq V_{IN} \leq 16\text{ V}$, $0\text{ A} \leq I_o \leq 500\text{ mA}$	3.14		3.46	
		$0^\circ\text{C} \leq T_J \leq 125^\circ\text{C}$, $0\text{ A} \leq I_o \leq 1\text{ A}$				
Line Regulation	REG_{IN}	$4.3\text{ V} \leq V_{IN} \leq 16\text{ V}$		12	33	mV
Load Regulation	REG_L	$0\text{ A} \leq I_o \leq 1\text{ A}$		23	33	mV
Quiescent Current	I_{BIAS}	$I_o = 0\text{ A}$		2.0	4.0	mA
		$I_o = 1\text{ A}$		30	60	
Startup Quiescent Current	$I_{BIAS(s)}$	$V_{IN} = 3.1\text{ V}$, $I_o = 0\text{ A}$		10	30	mA
		$V_{IN} = 3.1\text{ V}$, $I_o = 1\text{ A}$			80	
Quiescent Current Change	ΔI_{BIAS}	$0^\circ\text{C} \leq T_J \leq 125^\circ\text{C}$, $4.3\text{ V} \leq V_{IN} \leq 16\text{ V}$		3.0	20	mA
Output Noise Voltage	V_n	$10\text{ Hz} \leq f \leq 100\text{ kHz}$		55		$\mu\text{V}_{r.m.s.}$
Ripple Rejection	R·R	$f = 120\text{ Hz}$, $4.3\text{ V} \leq V_{IN} \leq 16\text{ V}$	48	64		dB
Dropout Voltage	V_{DIF}	$0^\circ\text{C} \leq T_J \leq 125^\circ\text{C}$, $I_o = 1\text{ A}$		0.7	1.0	V
Short Circuit Current	$I_{O\text{ short}}$	$V_{IN} = 4.5\text{ V}$	1.2	1.6	3.0	A
		$V_{IN} = 16\text{ V}$		1.2		
Peak Output Current	$I_{O\text{ peak}}$	$V_{IN} = 4.5\text{ V}$	1.0	1.4	3.0	A
		$V_{IN} = 16\text{ V}$	1.3	1.7	2.8	
Temperature Coefficient of Output Voltage	$\Delta V_o/\Delta T$	$0^\circ\text{C} \leq T_J \leq 125^\circ\text{C}$, $I_o = 5\text{ mA}$		-0.4		mV/°C

μPC2905 ($T_J = 25^\circ\text{C}$, $V_{IN} = 8\text{ V}$, $I_o = 500\text{ mA}$, $C_{IN} = 0.22\ \mu\text{F}$, $C_{OUT} = 47\ \mu\text{F}$, unless otherwise specified.)

Parameters	Symbol	Conditions	MIN.	TYP.	MAX.	Unit
Output Voltage	V_O		4.8	5.0	5.2	V
		$0^\circ\text{C} \leq T_J \leq 125^\circ\text{C}$, $6\text{ V} \leq V_{IN} \leq 16\text{ V}$, $0\text{ A} \leq I_o \leq 500\text{ mA}$	4.75		5.25	
		$0^\circ\text{C} \leq T_J \leq 125^\circ\text{C}$, $0\text{ A} \leq I_o \leq 1\text{ A}$				
Line Regulation	REG_{IN}	$6\text{ V} \leq V_{IN} \leq 16\text{ V}$		23	50	mV
Load Regulation	REG_L	$0\text{ A} \leq I_o \leq 1\text{ A}$		28	50	mV
Quiescent Current	I_{BIAS}	$I_o = 0\text{ A}$		2.2	4.0	mA
		$I_o = 1\text{ A}$		30	60	
Startup Quiescent Current	$I_{BIAS(s)}$	$V_{IN} = 4.5\text{ V}$, $I_o = 0\text{ A}$		10	30	mA
		$V_{IN} = 4.5\text{ V}$, $I_o = 1\text{ A}$			80	
Quiescent Current Change	ΔI_{BIAS}	$0^\circ\text{C} \leq T_J \leq 125^\circ\text{C}$, $6\text{ V} \leq V_{IN} \leq 16\text{ V}$		2.9	20	mA
Output Noise Voltage	V_n	$10\text{ Hz} \leq f \leq 100\text{ kHz}$		90		$\mu\text{V}_{r.m.s.}$
Ripple Rejection	R-R	$f = 120\text{ Hz}$, $6\text{ V} \leq V_{IN} \leq 16\text{ V}$	46	61		dB
Dropout Voltage	V_{DIF}	$0^\circ\text{C} \leq T_J \leq 125^\circ\text{C}$, $I_o = 1\text{ A}$		0.7	1.0	V
Short Circuit Current	$I_{O\ short}$	$V_{IN} = 6.5\text{ V}$	1.15	1.8	3.0	A
		$V_{IN} = 16\text{ V}$		1.1		
Peak Output Current	$I_{O\ peak}$	$V_{IN} = 6.5\text{ V}$	1.1	1.5	3.0	A
		$V_{IN} = 16\text{ V}$	1.4	2.0	2.8	
Temperature Coefficient of Output Voltage	$\Delta V_O/\Delta T$	$0^\circ\text{C} \leq T_J \leq 125^\circ\text{C}$, $I_o = 5\text{ mA}$		0.6		$\text{mV}/^\circ\text{C}$

μPC2906 ($T_J = 25^\circ\text{C}$, $V_{IN} = 9\text{ V}$, $I_o = 500\text{ mA}$, $C_{IN} = 0.22\ \mu\text{F}$, $C_{OUT} = 47\ \mu\text{F}$, unless otherwise specified.)

Parameters	Symbol	Conditions	MIN.	TYP.	MAX.	Unit
Output Voltage	V_o		5.76	6.0	6.24	V
		$0^\circ\text{C} \leq T_J \leq 125^\circ\text{C}$, $7\text{ V} \leq V_{IN} \leq 16\text{ V}$, $0\text{ A} \leq I_o \leq 500\text{ mA}$	5.70		6.30	
		$0^\circ\text{C} \leq T_J \leq 125^\circ\text{C}$, $0\text{ A} \leq I_o \leq 1\text{ A}$				
Line Regulation	REG_{IN}	$7\text{ V} \leq V_{IN} \leq 16\text{ V}$		25	60	mV
Load Regulation	REG_L	$0\text{ A} \leq I_o \leq 1\text{ A}$		29	60	mV
Quiescent Current	I_{BIAS}	$I_o = 0\text{ A}$		2.0	4.0	mA
		$I_o = 1\text{ A}$		23	60	
Startup Quiescent Current	$I_{BIAS(s)}$	$V_{IN} = 5.5\text{ V}$, $I_o = 0\text{ A}$		10	30	mA
		$V_{IN} = 5.5\text{ V}$, $I_o = 1\text{ A}$			80	
Quiescent Current Change	ΔI_{BIAS}	$0^\circ\text{C} \leq T_J \leq 125^\circ\text{C}$, $7\text{ V} \leq V_{IN} \leq 16\text{ V}$		2.2	20	mA
Output Noise Voltage	V_n	$10\text{ Hz} \leq f \leq 100\text{ kHz}$		108		$\mu\text{V}_{r.m.s.}$
Ripple Rejection	R·R	$f = 120\text{ Hz}$, $7\text{ V} \leq V_{IN} \leq 16\text{ V}$	44	60		dB
Dropout Voltage	V_{DIF}	$0^\circ\text{C} \leq T_J \leq 125^\circ\text{C}$, $I_o = 1\text{ A}$		0.7	1.0	V
Short Circuit Current	$I_{O\text{ short}}$	$V_{IN} = 7.5\text{ V}$		1.8		A
		$V_{IN} = 16\text{ V}$		1.1		
Peak Output Current	$I_{o\text{ peak}}$	$V_{IN} = 7.5\text{ V}$	1.1	1.5	3.0	A
		$V_{IN} = 16\text{ V}$	1.4	2.0	2.8	
Temperature Coefficient of Output Voltage	$\Delta V_o/\Delta T$	$0^\circ\text{C} \leq T_J \leq 125^\circ\text{C}$, $I_o = 5\text{ mA}$		0.6		$\text{mV}/^\circ\text{C}$

μPC2907 ($T_J = 25^\circ\text{C}$, $V_{IN} = 10\text{ V}$, $I_o = 500\text{ mA}$, $C_{IN} = 0.22\ \mu\text{F}$, $C_{OUT} = 47\ \mu\text{F}$, unless otherwise specified.)

Parameters	Symbol	Conditions	MIN.	TYP.	MAX.	Unit
Output Voltage	V_O		6.72	7.0	7.28	V
		$0^\circ\text{C} \leq T_J \leq 125^\circ\text{C}$, $8\text{ V} \leq V_{IN} \leq 16\text{ V}$, $0\text{ A} \leq I_o \leq 500\text{ mA}$	6.65		7.35	
		$0^\circ\text{C} \leq T_J \leq 125^\circ\text{C}$, $0\text{ A} \leq I_o \leq 1\text{ A}$				
Line Regulation	REG_{IN}	$8\text{ V} \leq V_{IN} \leq 16\text{ V}$		27	70	mV
Load Regulation	REG_L	$0\text{ A} \leq I_o \leq 1\text{ A}$		30	70	mV
Quiescent Current	I_{BIAS}	$I_o = 0\text{ A}$		2.0	4.0	mA
		$I_o = 1\text{ A}$		24	60	
Startup Quiescent Current	$I_{BIAS(s)}$	$V_{IN} = 6.5\text{ V}$, $I_o = 0\text{ A}$		10	30	mA
		$V_{IN} = 6.5\text{ V}$, $I_o = 1\text{ A}$			80	
Quiescent Current Change	ΔI_{BIAS}	$0^\circ\text{C} \leq T_J \leq 125^\circ\text{C}$, $8\text{ V} \leq V_{IN} \leq 16\text{ V}$		2.3	20	mA
Output Noise Voltage	V_n	$10\text{ Hz} \leq f \leq 100\text{ kHz}$		126		$\mu\text{V}_{r.m.s.}$
Ripple Rejection	R-R	$f = 120\text{ Hz}$, $8\text{ V} \leq V_{IN} \leq 16\text{ V}$	43	59		dB
Dropout Voltage	V_{DIF}	$0^\circ\text{C} \leq T_J \leq 125^\circ\text{C}$, $I_o = 1\text{ A}$		0.7	1.0	V
Short Circuit Current	$I_{O\text{ short}}$	$V_{IN} = 8.5\text{ V}$		1.8		A
		$V_{IN} = 16\text{ V}$		1.1		
Peak Output Current	$I_{O\text{ peak}}$	$V_{IN} = 8.5\text{ V}$	1.1	1.5	3.0	A
		$V_{IN} = 16\text{ V}$	1.4	2.0	2.8	
Temperature Coefficient of Output Voltage	$\Delta V_O/\Delta T$	$0^\circ\text{C} \leq T_J \leq 125^\circ\text{C}$, $I_o = 5\text{ mA}$		0.6		$\text{mV}/^\circ\text{C}$

μPC2908 ($T_J = 25^\circ\text{C}$, $V_{IN} = 11\text{ V}$, $I_O = 500\text{ mA}$, $C_{IN} = 0.22\ \mu\text{F}$, $C_{OUT} = 47\ \mu\text{F}$, unless otherwise specified.)

Parameters	Symbol	Conditions	MIN.	TYP.	MAX.	Unit
Output Voltage	V_O		7.68	8.0	8.32	V
		$0^\circ\text{C} \leq T_J \leq 125^\circ\text{C}$, $9\text{ V} \leq V_{IN} \leq 18\text{ V}$, $0\text{ A} \leq I_O \leq 500\text{ mA}$	7.6		8.4	
		$0^\circ\text{C} \leq T_J \leq 125^\circ\text{C}$, $0\text{ A} \leq I_O \leq 1\text{ A}$				
Line Regulation	REG_{IN}	$9\text{ V} \leq V_{IN} \leq 18\text{ V}$		31	80	mV
Load Regulation	REG_L	$0\text{ A} \leq I_O \leq 1\text{ A}$		30	80	mV
Quiescent Current	I_{BIAS}	$I_O = 0\text{ A}$		1.9	4.0	mA
		$I_O = 1\text{ A}$		25	60	
Startup Quiescent Current	$I_{BIAS(s)}$	$V_{IN} = 7.5\text{ V}$, $I_O = 0\text{ A}$		10	30	mA
		$V_{IN} = 7.5\text{ V}$, $I_O = 1\text{ A}$			80	
Quiescent Current Change	ΔI_{BIAS}	$0^\circ\text{C} \leq T_J \leq 125^\circ\text{C}$, $9\text{ V} \leq V_{IN} \leq 18\text{ V}$		2.4	20	mA
Output Noise Voltage	V_n	$10\text{ Hz} \leq f \leq 100\text{ kHz}$		145		$\mu\text{V}_{r.m.s.}$
Ripple Rejection	R·R	$f = 120\text{ Hz}$, $9\text{ V} \leq V_{IN} \leq 18\text{ V}$	42	58		dB
Dropout Voltage	V_{DIF}	$0^\circ\text{C} \leq T_J \leq 125^\circ\text{C}$, $I_O = 1\text{ A}$		0.7	1.0	V
Short Circuit Current	$I_{O\text{ short}}$	$V_{IN} = 9.5\text{ V}$		1.9		A
		$V_{IN} = 18\text{ V}$		1.0		
Peak Output Current	$I_{O\text{ peak}}$	$V_{IN} = 9.5\text{ V}$	1.1	1.5	3.0	A
		$V_{IN} = 18\text{ V}$	1.4	2.0	2.8	
Temperature Coefficient of Output Voltage	$\Delta V_O/\Delta T$	$0^\circ\text{C} \leq T_J \leq 125^\circ\text{C}$, $I_O = 5\text{ mA}$		0.6		mV/°C

μPC2909 ($T_J = 25^\circ\text{C}$, $V_{IN} = 12\text{ V}$, $I_O = 500\text{ mA}$, $C_{IN} = 0.22\ \mu\text{F}$, $C_{OUT} = 47\ \mu\text{F}$, unless otherwise specified.)

Parameters	Symbol	Conditions	MIN.	TYP.	MAX.	Unit
Output Voltage	V_O		8.64	9.0	9.36	V
		$0^\circ\text{C} \leq T_J \leq 125^\circ\text{C}$, $10\text{ V} \leq V_{IN} \leq 18\text{ V}$, $0\text{ A} \leq I_O \leq 500\text{ mA}$	8.55		9.45	
		$0^\circ\text{C} \leq T_J \leq 125^\circ\text{C}$, $0\text{ A} \leq I_O \leq 1\text{ A}$				
Line Regulation	REG_{IN}	$10\text{ V} \leq V_{IN} \leq 18\text{ V}$		31	90	mV
Load Regulation	REG_L	$0\text{ A} \leq I_O \leq 1\text{ A}$		32	90	mV
Quiescent Current	I_{BIAS}	$I_O = 0\text{ A}$		1.9	4.0	mA
		$I_O = 1\text{ A}$		27	60	
Startup Quiescent Current	$I_{BIAS(s)}$	$V_{IN} = 8.5\text{ V}$, $I_O = 0\text{ A}$		11	30	mA
		$V_{IN} = 8.5\text{ V}$, $I_O = 1\text{ A}$			80	
Quiescent Current Change	ΔI_{BIAS}	$0^\circ\text{C} \leq T_J \leq 125^\circ\text{C}$, $10\text{ V} \leq V_{IN} \leq 18\text{ V}$		3.0	20	mA
Output Noise Voltage	V_n	$10\text{ Hz} \leq f \leq 100\text{ kHz}$		155		$\mu\text{V}_{r.m.s.}$
Ripple Rejection	R-R	$f = 120\text{ Hz}$, $10\text{ V} \leq V_{IN} \leq 18\text{ V}$	41	58		dB
Dropout Voltage	V_{DIF}	$0^\circ\text{C} \leq T_J \leq 125^\circ\text{C}$, $I_O = 1\text{ A}$		0.7	1.0	V
Short Circuit Current	$I_{O\text{ short}}$	$V_{IN} = 10.5\text{ V}$		1.9		A
		$V_{IN} = 18\text{ V}$		1.0		
Peak Output Current	$I_{O\text{ peak}}$	$V_{IN} = 10.5\text{ V}$	1.1	1.5	3.0	A
		$V_{IN} = 18\text{ V}$	1.4	2.0	3.0	
Temperature Coefficient of Output Voltage	$\Delta V_O/\Delta T$	$0^\circ\text{C} \leq T_J \leq 125^\circ\text{C}$, $I_O = 5\text{ mA}$		1.0		$\text{mV}/^\circ\text{C}$

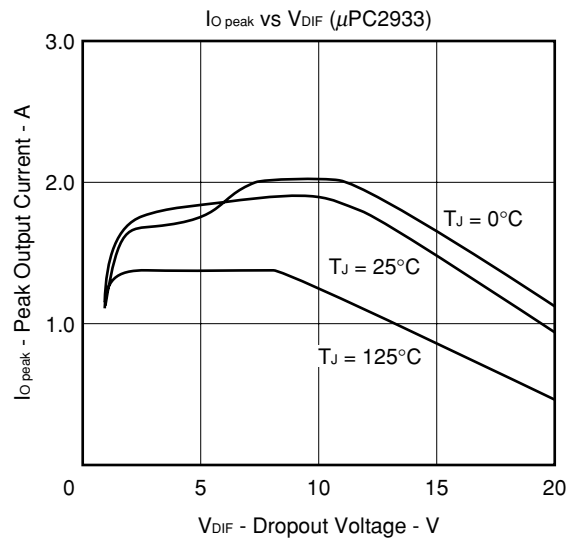
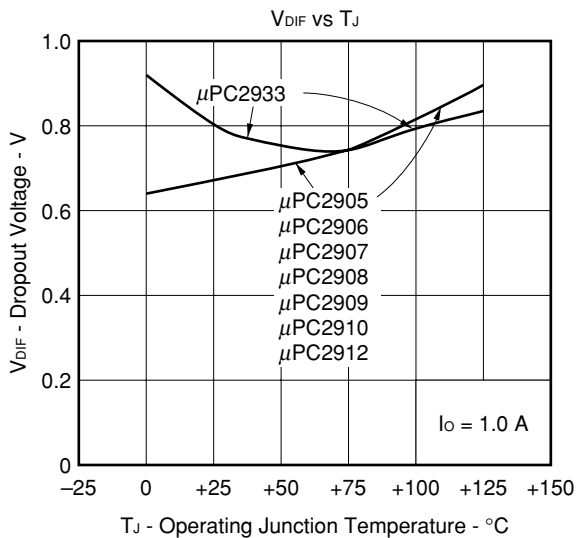
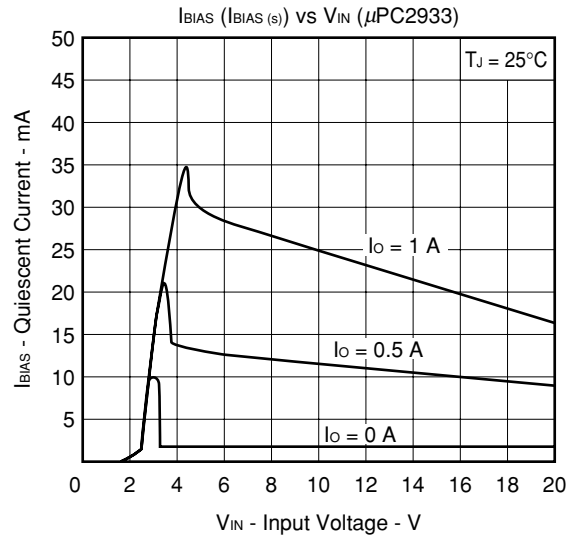
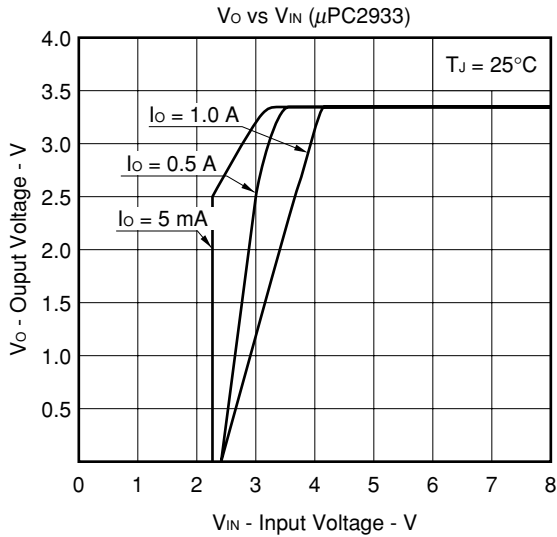
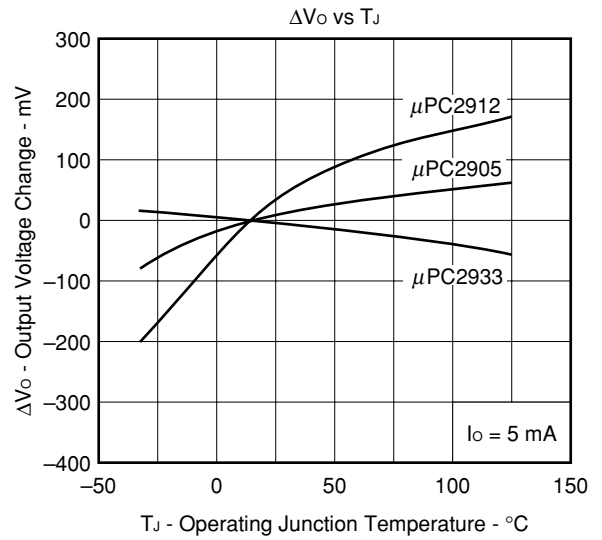
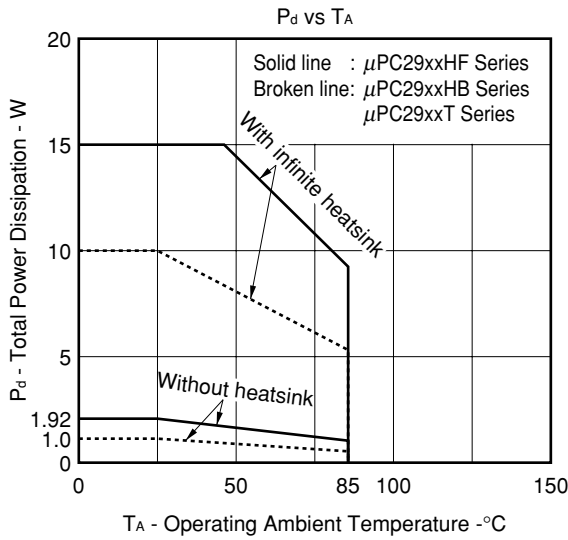
μPC2910 ($T_J = 25^\circ\text{C}$, $V_{IN} = 13\text{ V}$, $I_O = 500\text{ mA}$, $C_{IN} = 0.22\ \mu\text{F}$, $C_{OUT} = 47\ \mu\text{F}$, unless otherwise specified.)

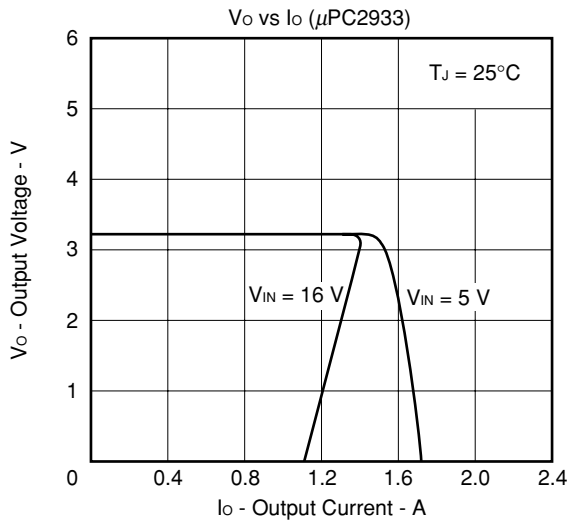
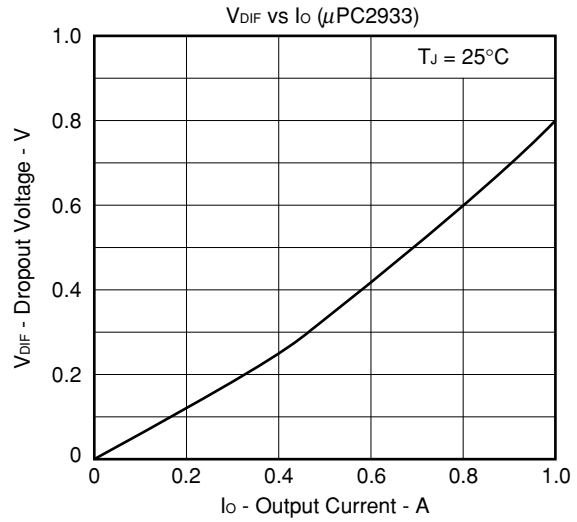
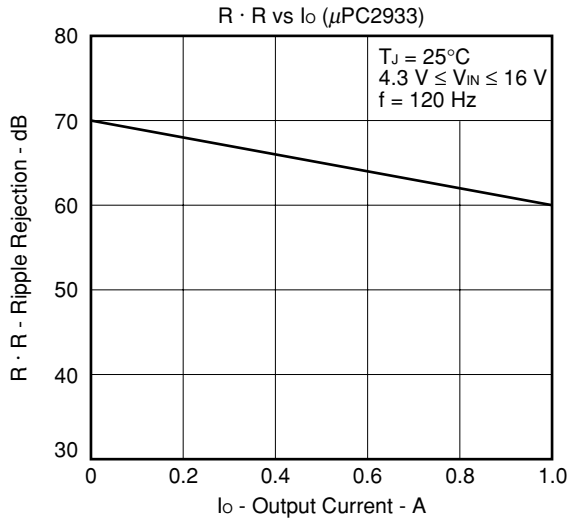
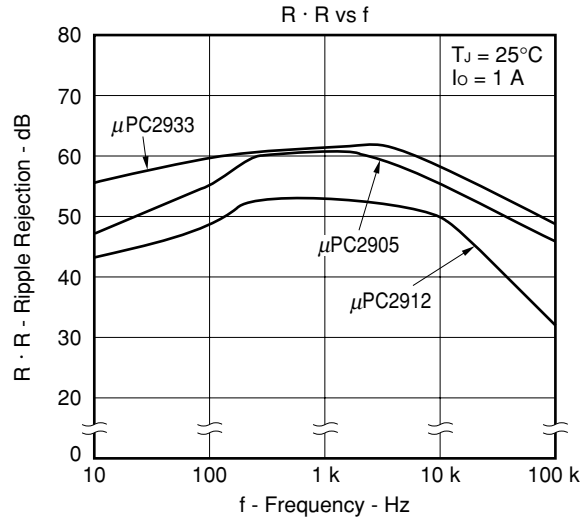
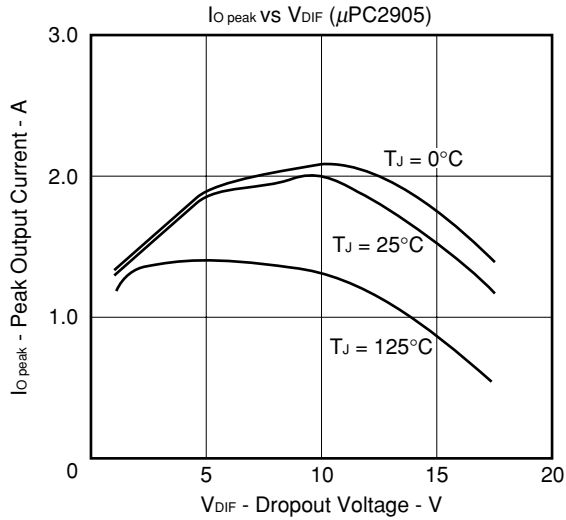
Parameters	Symbol	Conditions	MIN.	TYP.	MAX.	Unit
Output Voltage	V_O		9.6	10.0	10.4	V
		$0^\circ\text{C} \leq T_J \leq 125^\circ\text{C}$, $11\text{ V} \leq V_{IN} \leq 18\text{ V}$, $0\text{ A} \leq I_O \leq 500\text{ mA}$	9.5		10.5	
		$0^\circ\text{C} \leq T_J \leq 125^\circ\text{C}$, $0\text{ A} \leq I_O \leq 1\text{ A}$				
Line Regulation	REG_{IN}	$11\text{ V} \leq V_{IN} \leq 18\text{ V}$		35	100	mV
Load Regulation	REG_L	$0\text{ A} \leq I_O \leq 1\text{ A}$		33	100	mV
Quiescent Current	I_{BIAS}	$I_O = 0\text{ A}$		2.0	4.0	mA
		$I_O = 1\text{ A}$		25	60	
Startup Quiescent Current	$I_{BIAS(s)}$	$V_{IN} = 9.5\text{ V}$, $I_O = 0\text{ A}$		10	30	mA
		$V_{IN} = 9.5\text{ V}$, $I_O = 1\text{ A}$			80	
Quiescent Current Change	ΔI_{BIAS}	$0^\circ\text{C} \leq T_J \leq 125^\circ\text{C}$, $11\text{ V} \leq V_{IN} \leq 18\text{ V}$		1.9	20	mA
Output Noise Voltage	V_n	$10\text{ Hz} \leq f \leq 100\text{ kHz}$		180		$\mu\text{V}_{r.m.s.}$
Ripple Rejection	R·R	$f = 120\text{ Hz}$, $11\text{ V} \leq V_{IN} \leq 18\text{ V}$	40	56		dB
Dropout Voltage	V_{DIF}	$0^\circ\text{C} \leq T_J \leq 125^\circ\text{C}$, $I_O = 1\text{ A}$		0.7	1.0	V
Short Circuit Current	$I_{O\text{ short}}$	$V_{IN} = 11.5\text{ V}$		1.7		A
		$V_{IN} = 18\text{ V}$		1.0		
Peak Output Current	$I_{O\text{ peak}}$	$V_{IN} = 11.5\text{ V}$	1.1	1.6	3.0	A
		$V_{IN} = 18\text{ V}$	1.4	2.0	3.0	
Temperature Coefficient of Output Voltage	$\Delta V_O/\Delta T$	$0^\circ\text{C} \leq T_J \leq 125^\circ\text{C}$, $I_O = 5\text{ mA}$		2.1		mV/°C

μPC2912 ($T_J = 25^\circ\text{C}$, $V_{IN} = 15\text{ V}$, $I_O = 500\text{ mA}$, $C_{IN} = 0.22\ \mu\text{F}$, $C_{OUT} = 47\ \mu\text{F}$, unless otherwise specified.)

Parameters	Symbol	Conditions	MIN.	TYP.	MAX.	Unit
Output Voltage	V_O		11.52	12	12.48	V
		$0^\circ\text{C} \leq T_J \leq 125^\circ\text{C}$, $13\text{ V} \leq V_{IN} \leq 18\text{ V}$, $0\text{ A} \leq I_O \leq 500\text{ mA}$	11.4		12.6	
		$0^\circ\text{C} \leq T_J \leq 125^\circ\text{C}$, $0\text{ A} \leq I_O \leq 1\text{ A}$				
Line Regulation	REG_{IN}	$13\text{ V} \leq V_{IN} \leq 18\text{ V}$		38	120	mV
Load Regulation	REG_L	$0\text{ A} \leq I_O \leq 1\text{ A}$		35	120	mV
Quiescent Current	I_{BIAS}	$I_O = 0\text{ A}$		2.1	4.0	mA
		$I_O = 1\text{ A}$		26	60	
Startup Quiescent Current	$I_{BIAS(s)}$	$V_{IN} = 11.5\text{ V}$, $I_O = 0\text{ A}$		10	30	mA
		$V_{IN} = 11.5\text{ V}$, $I_O = 1\text{ A}$			80	
Quiescent Current Change	ΔI_{BIAS}	$0^\circ\text{C} \leq T_J \leq 125^\circ\text{C}$, $13\text{ V} \leq V_{IN} \leq 18\text{ V}$		1.5	20	mA
Output Noise Voltage	V_n	$10\text{ Hz} \leq f \leq 100\text{ kHz}$		210		$\mu\text{V}_{r.m.s.}$
Ripple Rejection	R-R	$f = 120\text{ Hz}$, $13\text{ V} \leq V_{IN} \leq 18\text{ V}$	40	52		dB
Dropout Voltage	V_{DIF}	$0^\circ\text{C} \leq T_J \leq 125^\circ\text{C}$, $I_O = 1\text{ A}$		0.7	1.0	V
Short Circuit Current	$I_{O\text{ short}}$	$V_{IN} = 14\text{ V}$		1.7		A
		$V_{IN} = 18\text{ V}$		1.0		
Peak Output Current	$I_{O\text{ peak}}$	$V_{IN} = 14\text{ V}$	1.1	1.6	3.0	A
		$V_{IN} = 18\text{ V}$	1.4	2.0	3.0	
Temperature Coefficient of Output Voltage	$\Delta V_O/\Delta T$	$0^\circ\text{C} \leq T_J \leq 125^\circ\text{C}$, $I_O = 5\text{ mA}$		2.1		$\text{mV}/^\circ\text{C}$

TYPICAL CHARACTERISTICS

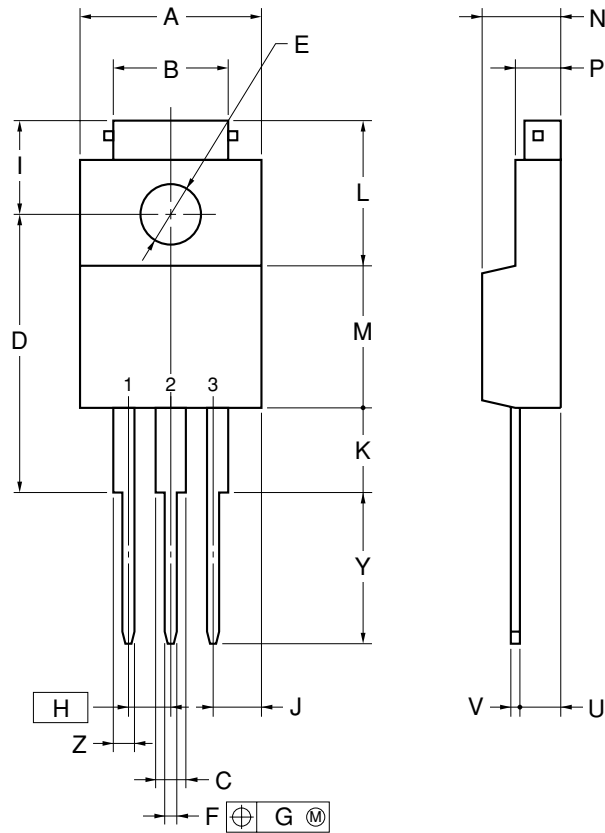




PACKAGE DRAWINGS

μPC29xxHF Series

3PIN PLASTIC SIP (MP-45G)



NOTE

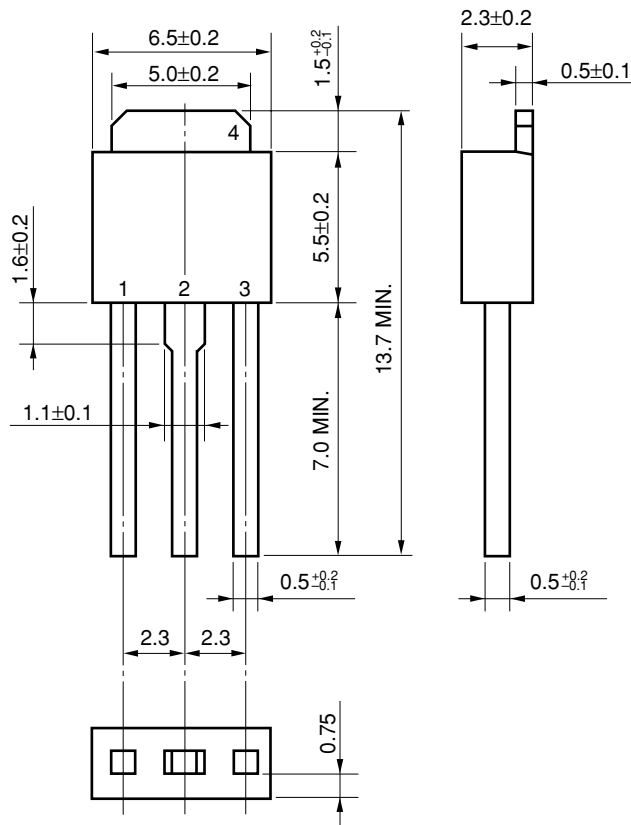
Each lead centerline is located within 0.25 mm of its true position (T.P.) at maximum material condition.

ITEM	MILLIMETERS
A	10.0±0.2
B	7.0±0.2
C	1.50±0.2
D	17.0±0.3
E	∅3.3±0.2
F	0.75±0.10
G	0.25
H	2.54 (T.P.)
I	5.0±0.3
J	2.46±0.2
K	5.0±0.2
L	8.5±0.2
M	8.5±0.2
N	4.5±0.2
P	2.8±0.2
U	2.4±0.5
V	0.65±0.10
Y	8.9±0.7
Z	1.30±0.2

P3HF-254B-4

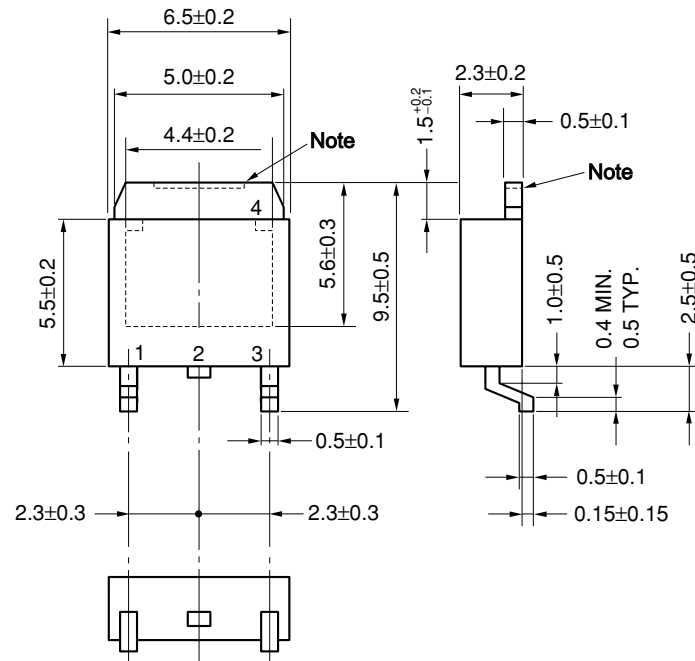
μPC29xxHB Series

SC-64 (MP-3) (Unit: mm)



μPC29xxT Series

<R> SC-63 (MP-3Z) (Unit: mm)



Note The depth of notch at the top of the fin is from 0 to 0.2 mm.

<R> **RECOMMENDED SOLDERING CONDITIONS**

When soldering this product, it is highly recommended to observe the conditions as shown below. If other soldering processes are used, or if the soldering is performed under different condition, please make sure to consult with our sales offices.

For more details, refer to the **Semiconductor Device Mount Manual**
 (<http://www.necel.com/pkg/en/mount/index.html>)

Surface mount devices

μPC29xxT Series: SC-63 (MP-3Z)

Process	Conditions	Symbol
Infrared ray reflow	Peak temperature: 235°C or below (Package surface temperature), Reflow time: 30 seconds or less (at 210°C or higher), Maximum number of reflow processes: 3 times or less.	IR35-00-3
VPS	Peak temperature: 215°C or below (Package surface temperature), Reflow time: 40 seconds or less (at 200°C or higher), Maximum number of reflow processes: 3 times or less.	VP15-00-3
Partial heating method	Pin temperature: 350°C or below, Heat time: 3 seconds or less (Per each side of the device).	P350

Caution Apply only one kind of soldering condition to a device, except for “partial heating method”, or the device will be damaged by heat stress.

Remark Flux: Rosin-based flux with low chlorine content (chlorine 0.2 Wt% or below) is recommended.

μPC29xxT-AZ Series ^{Note1}, μPC29xxT-AY Series ^{Note2}: SC-63 (MP-3Z)

Process	Conditions	Symbol
Infrared ray reflow	Peak temperature: 260°C or below (Package surface temperature), Reflow time: 60 seconds or less (at 220°C or higher), Maximum number of reflow processes: 3 times or less.	IR60-00-3
Partial heating method	Pin temperature: 350°C or below, Heat time: 3 seconds or less (Per each side of the device).	P350

Notes 1. Pb-free (This product does not contain Pb in the external electrode.)

2. Pb-free (This product does not contain Pb in the external electrode, Sn100% plating.)

Caution Apply only one kind of soldering condition to a device, except for “partial heating method”, or the device will be damaged by heat stress.

Remark Flux: Rosin-based flux with low chlorine content (chlorine 0.2 Wt% or below) is recommended.

Through-hole devices

μPC29xxHF Series, μPC29xxHF-AZ Series ^{Note1}: Isolated TO-220 (MP-45G)

μPC29xxHB Series, μPC29xxHB-AZ Series ^{Note1}, μPC29xxHB-AY Series ^{Note2}: SC-64 (MP-3)

Process	Conditions	Symbol
Wave soldering (only to leads)	Solder temperature: 260°C or below, Flow time: 10 seconds or less.	WS60-00-1
Partial heating method	Pin temperature: 350°C or below, Heat time: 3 seconds or less (Per each pin).	P350

Notes 1. Pb-free (This product does not contain Pb in the external electrode.)

2. Pb-free (This product does not contain Pb in the external electrode, Sn100% plating.)

Caution For through-hole device, the wave soldering process must be applied only to leads, and make sure that the package body does not get jet soldered.

CAUTION ON USE

When using the μPC29xx series at the input voltage which is lower than in the recommended operating condition, the high quiescent current flows through devices because the transistor of the output paragraph is saturated (Refer to “**I_{BIAS} (I_{BIAS(s)}) vs V_{IN} curves in TYPICAL CHARACTERISTICS**”). The μPC29xx series have saturation protection circuits, but they sometimes need about 80 mA current. Therefore the power supply on the input needs the enough current capacity to pass this quiescent current when the devices startup.

<R> **REFERENCE DOCUMENTS**

USER'S MANUAL USAGE OF THREE TERMINAL REGULATORS	Document No.G12702E
REVIEW OF QUALITY AND RELIABILITY HANDBOOK	Document No.C12769E
INFORMATION VOLTAGE REGULATOR OF SMD	Document No.G11872E
SEMICONDUCTOR DEVICE MOUNT MANUAL	http://www.necel.com/pkg/en/mount/index.html

- **The information in this document is current as of September, 2007. The information is subject to change without notice. For actual design-in, refer to the latest publications of NEC Electronics data sheets or data books, etc., for the most up-to-date specifications of NEC Electronics products. Not all products and/or types are available in every country. Please check with an NEC Electronics sales representative for availability and additional information.**
- No part of this document may be copied or reproduced in any form or by any means without the prior written consent of NEC Electronics. NEC Electronics assumes no responsibility for any errors that may appear in this document.
- NEC Electronics does not assume any liability for infringement of patents, copyrights or other intellectual property rights of third parties by or arising from the use of NEC Electronics products listed in this document or any other liability arising from the use of such products. No license, express, implied or otherwise, is granted under any patents, copyrights or other intellectual property rights of NEC Electronics or others.
- Descriptions of circuits, software and other related information in this document are provided for illustrative purposes in semiconductor product operation and application examples. The incorporation of these circuits, software and information in the design of a customer's equipment shall be done under the full responsibility of the customer. NEC Electronics assumes no responsibility for any losses incurred by customers or third parties arising from the use of these circuits, software and information.
- While NEC Electronics endeavors to enhance the quality, reliability and safety of NEC Electronics products, customers agree and acknowledge that the possibility of defects thereof cannot be eliminated entirely. To minimize risks of damage to property or injury (including death) to persons arising from defects in NEC Electronics products, customers must incorporate sufficient safety measures in their design, such as redundancy, fire-containment and anti-failure features.
- NEC Electronics products are classified into the following three quality grades: "Standard", "Special" and "Specific".

The "Specific" quality grade applies only to NEC Electronics products developed based on a customer-designated "quality assurance program" for a specific application. The recommended applications of an NEC Electronics product depend on its quality grade, as indicated below. Customers must check the quality grade of each NEC Electronics product before using it in a particular application.

"Standard": Computers, office equipment, communications equipment, test and measurement equipment, audio and visual equipment, home electronic appliances, machine tools, personal electronic equipment and industrial robots.

"Special": Transportation equipment (automobiles, trains, ships, etc.), traffic control systems, anti-disaster systems, anti-crime systems, safety equipment and medical equipment (not specifically designed for life support).

"Specific": Aircraft, aerospace equipment, submersible repeaters, nuclear reactor control systems, life support systems and medical equipment for life support, etc.

The quality grade of NEC Electronics products is "Standard" unless otherwise expressly specified in NEC Electronics data sheets or data books, etc. If customers wish to use NEC Electronics products in applications not intended by NEC Electronics, they must contact an NEC Electronics sales representative in advance to determine NEC Electronics' willingness to support a given application.

(Note)

- (1) "NEC Electronics" as used in this statement means NEC Electronics Corporation and also includes its majority-owned subsidiaries.
- (2) "NEC Electronics products" means any product developed or manufactured by or for NEC Electronics (as defined above).